

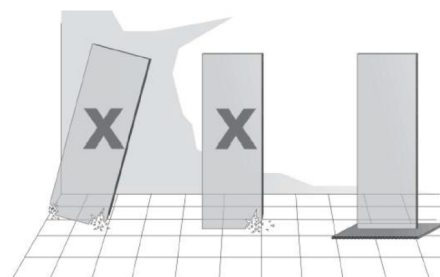
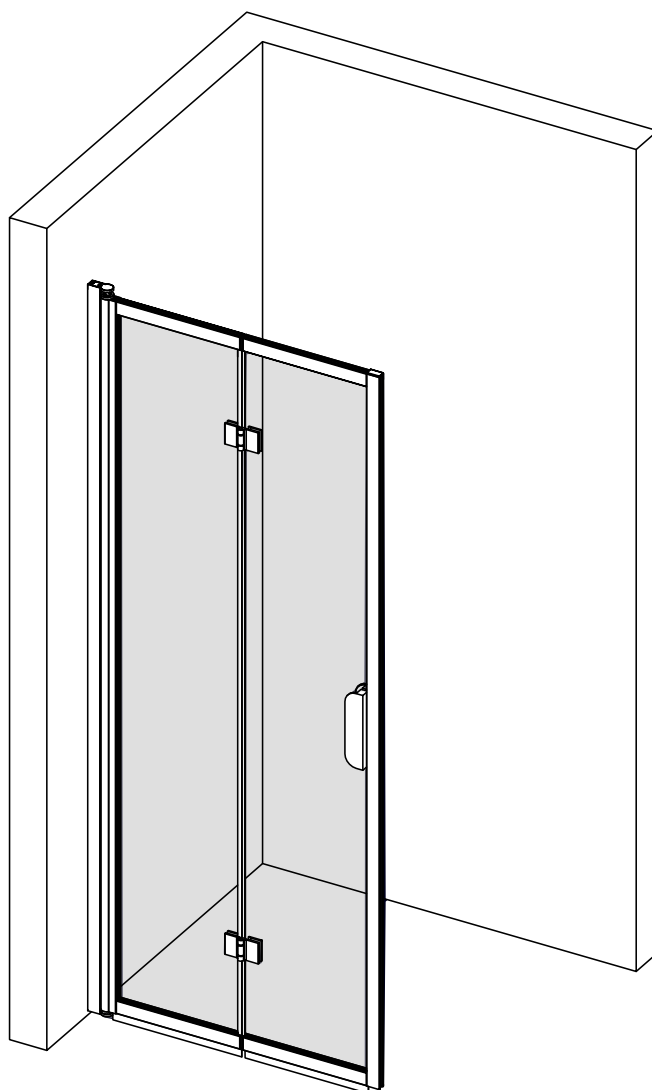
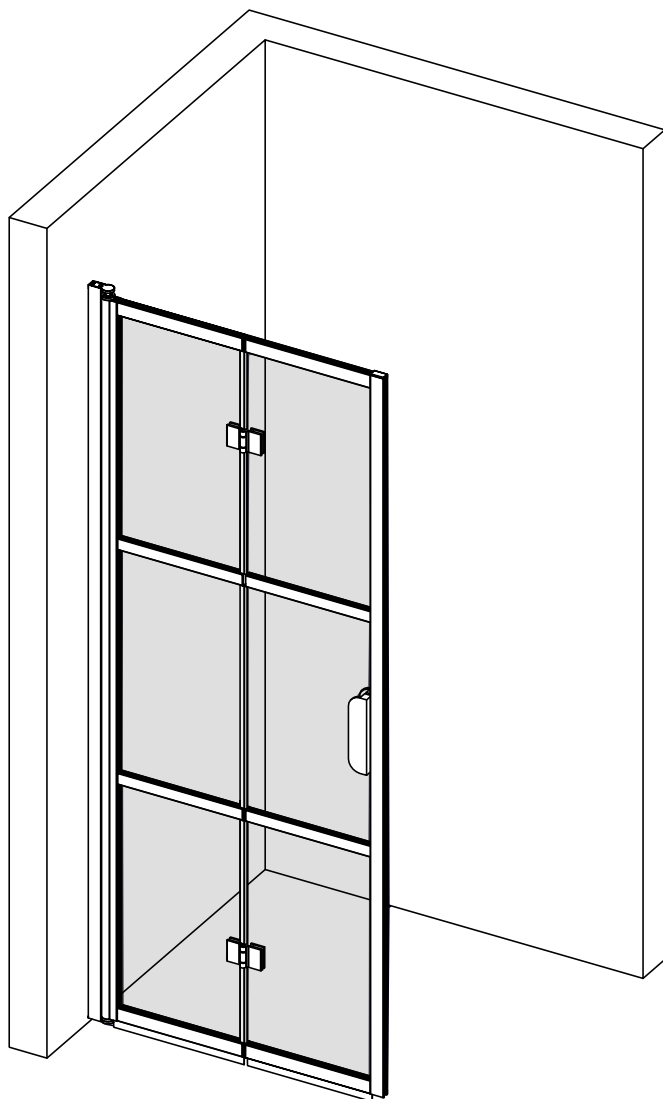


HIETAKARI®

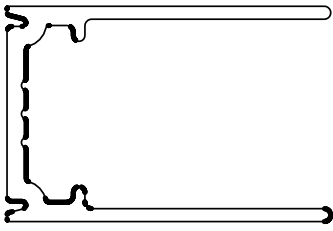


8/25 6GR LM

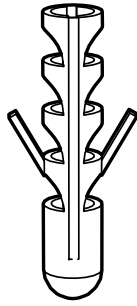
# 713



# Parts

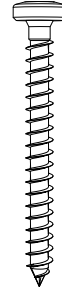


1. x1



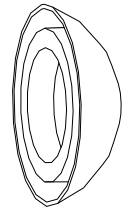
4/83 13RLM

2. 6x30 mm  
x4



4/83 11RLM

3. 4.5x45 mm  
x4



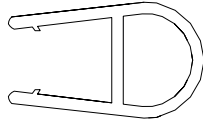
4/83 23RLM

4. x4



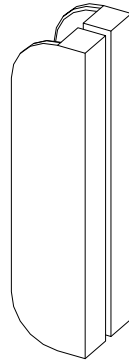
4/83 24RLM

5. 4.2x13 mm  
x4



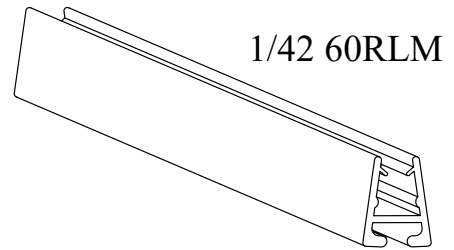
1/42 30RL1

6. x1



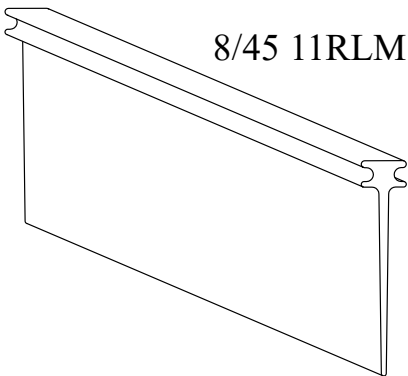
8/65 556LM

7. x1



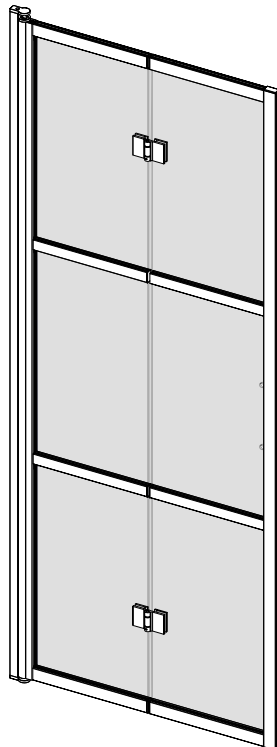
1/42 60RLM

8. x2

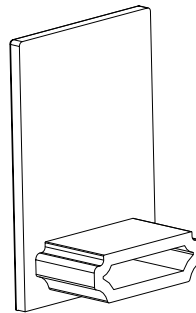


8/45 11RLM

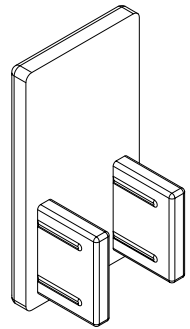
9. x2



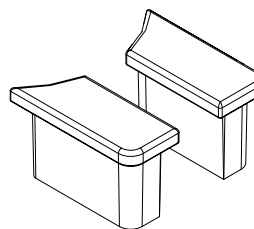
10. x1



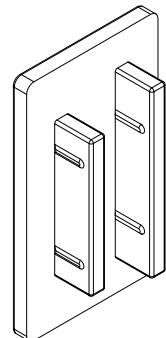
11. x1



12. x5

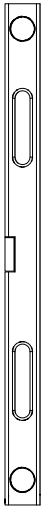


13. x1

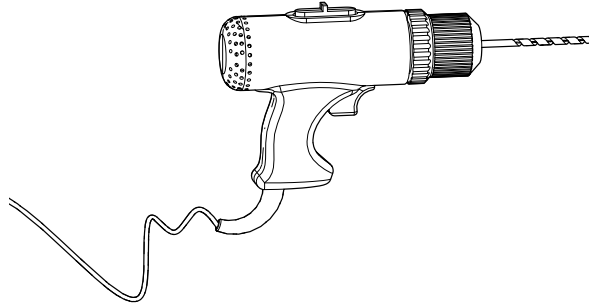


14. x4

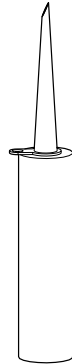
# Tools



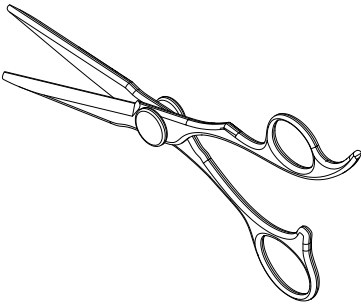
A



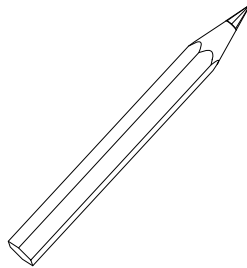
Ø6 mm  
B



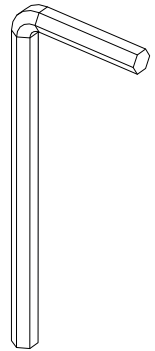
C



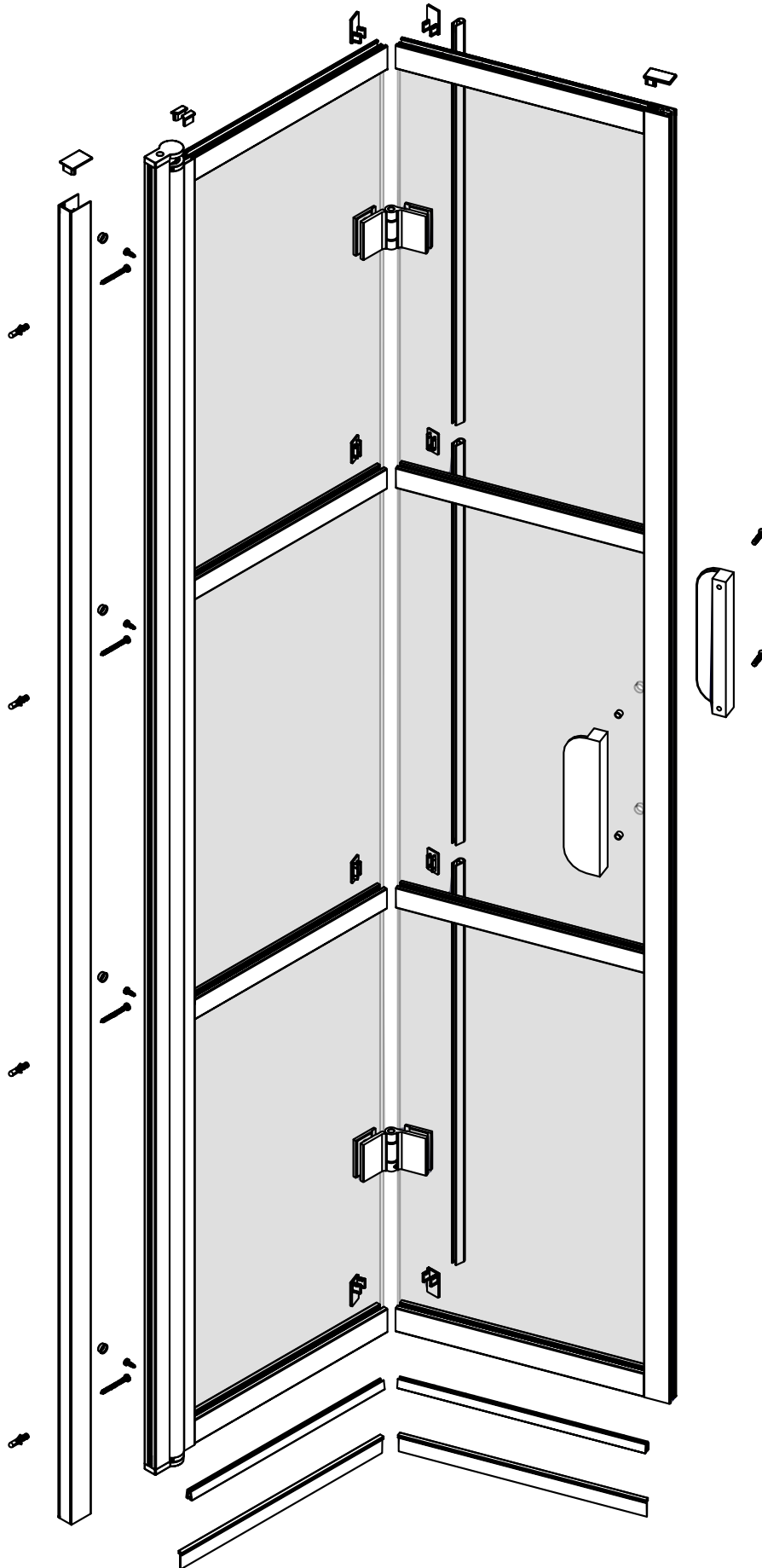
D



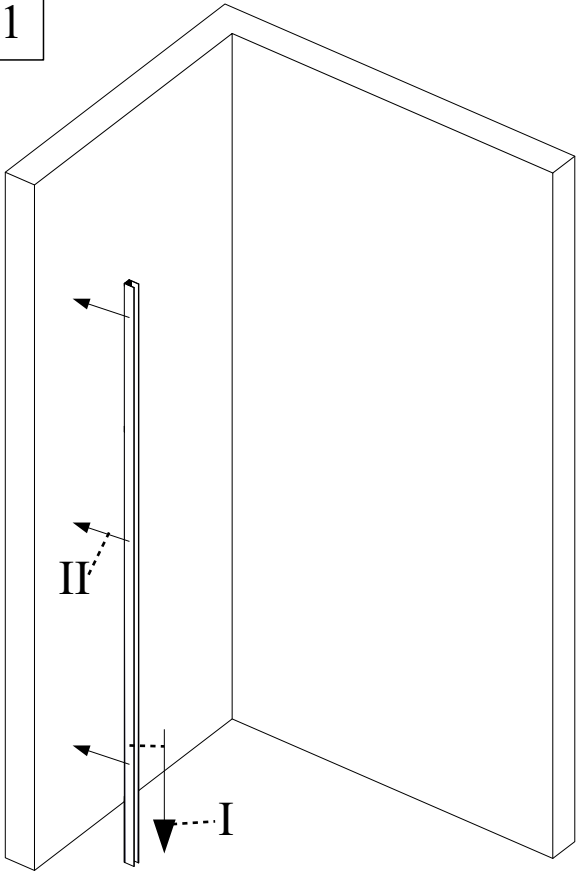
E



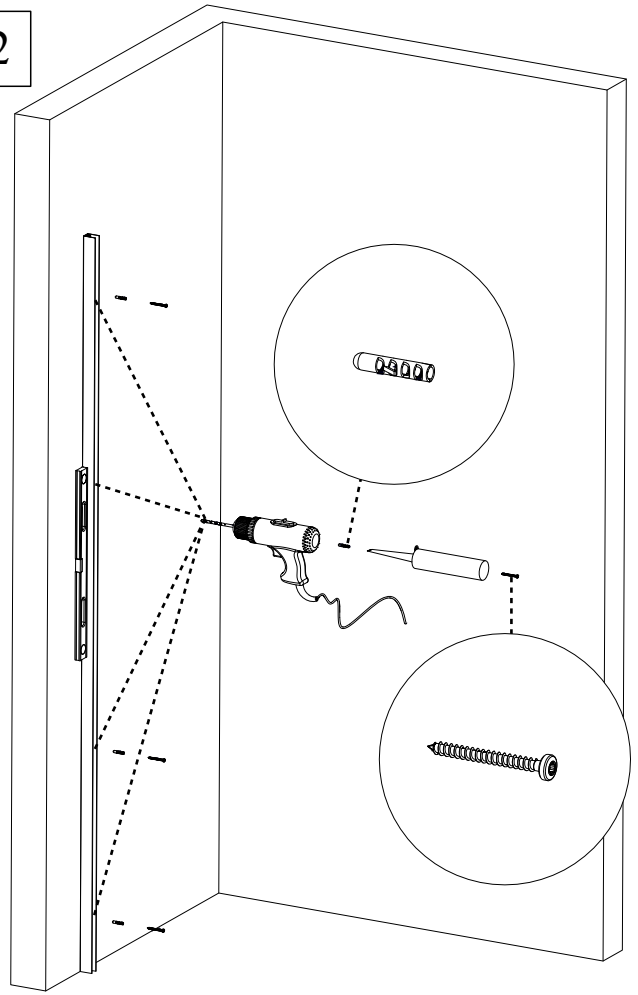
F



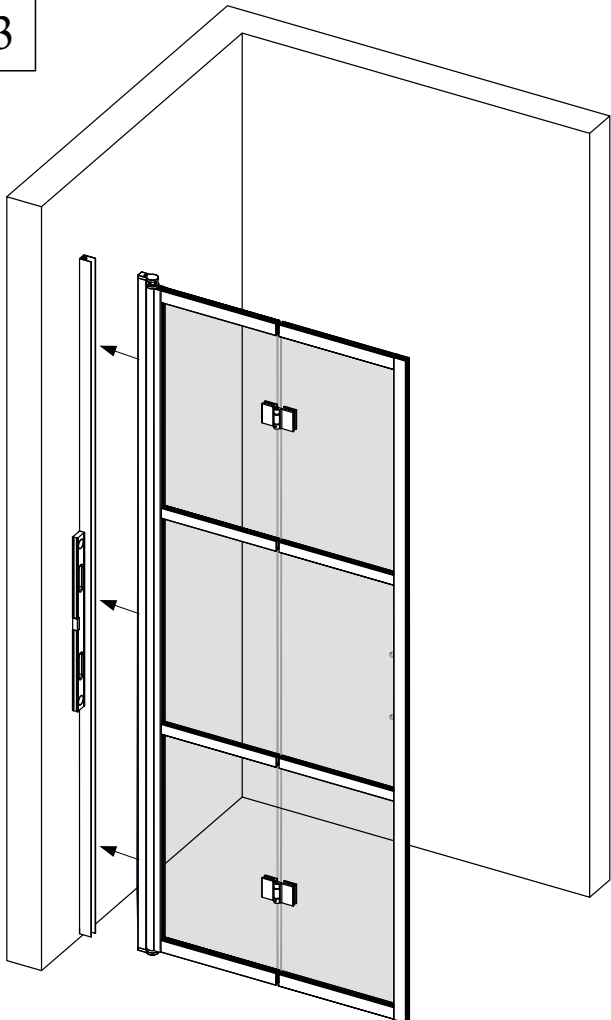
1



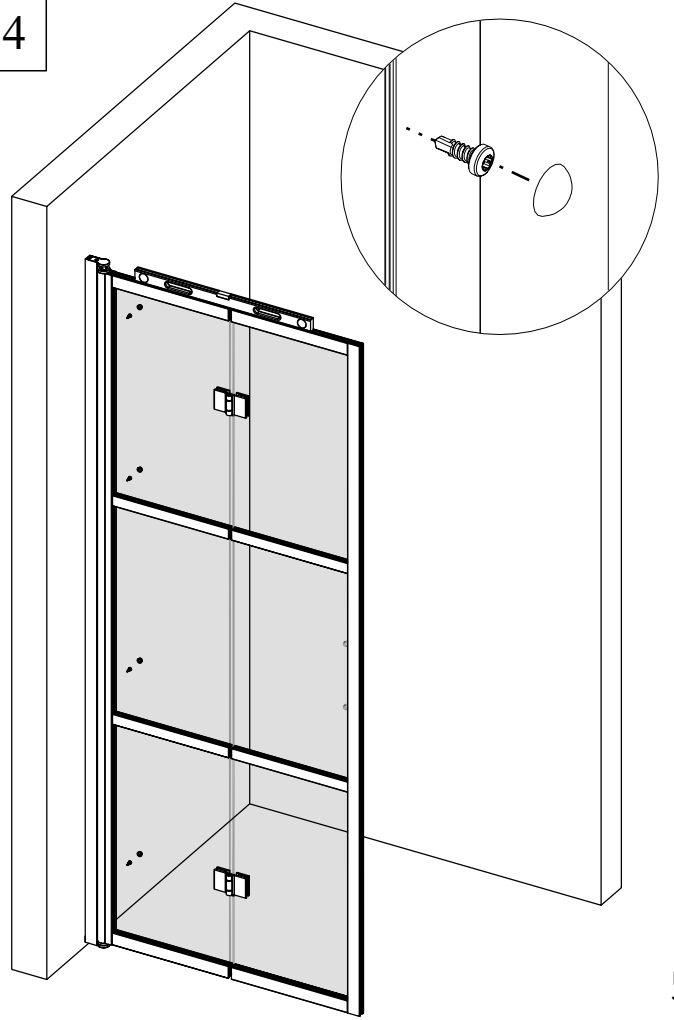
2



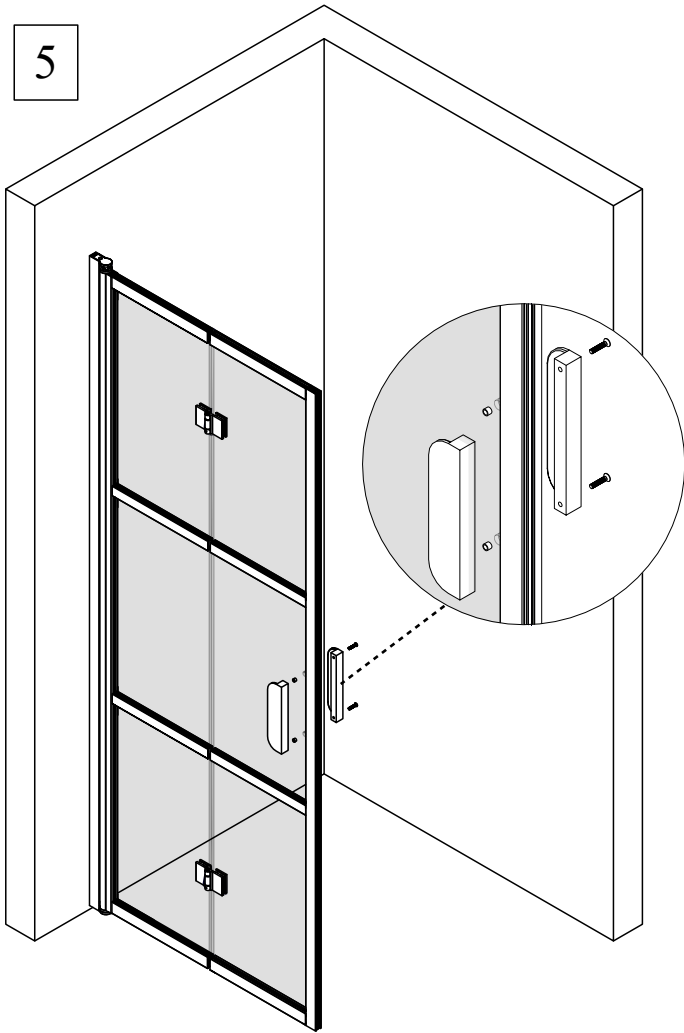
3



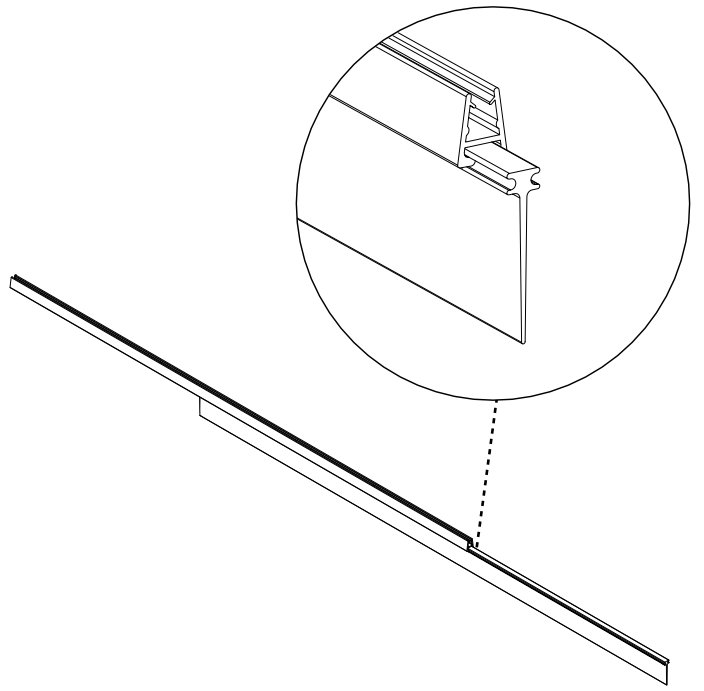
4



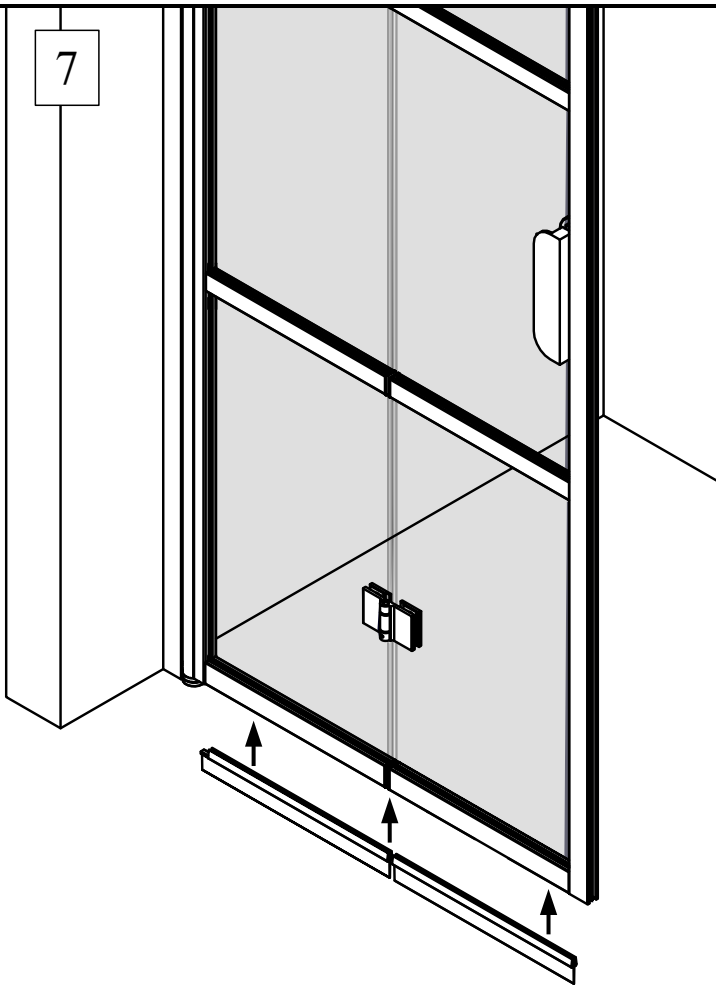
5



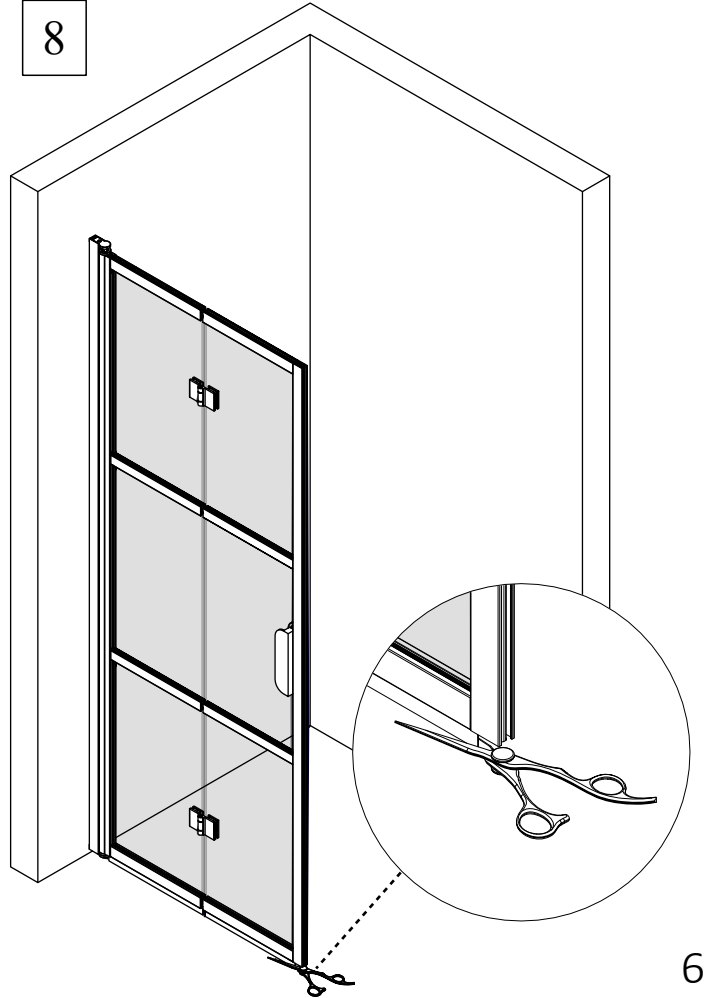
6



7

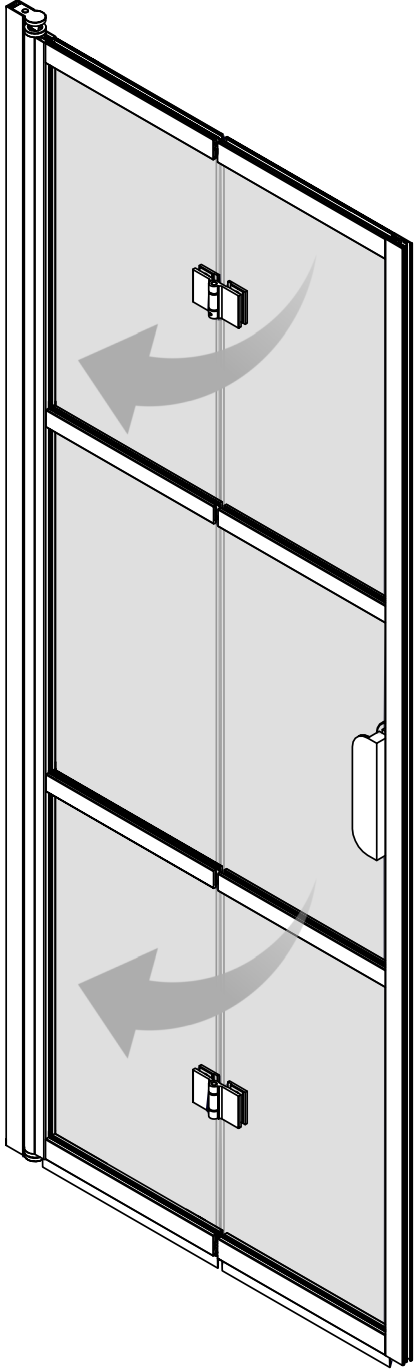


8

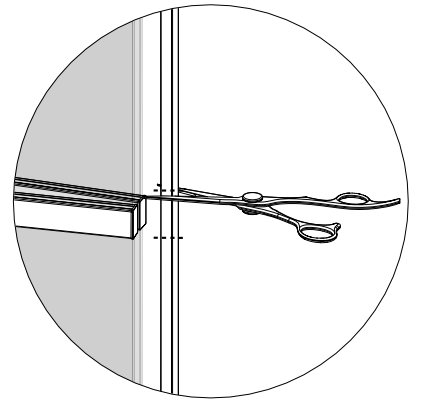
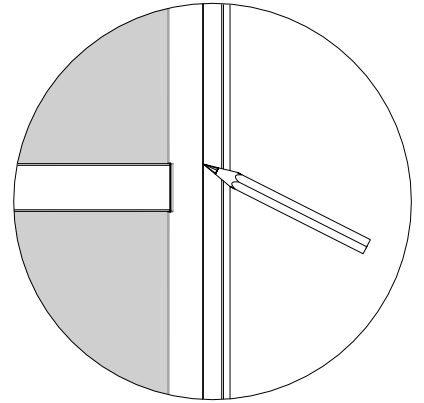
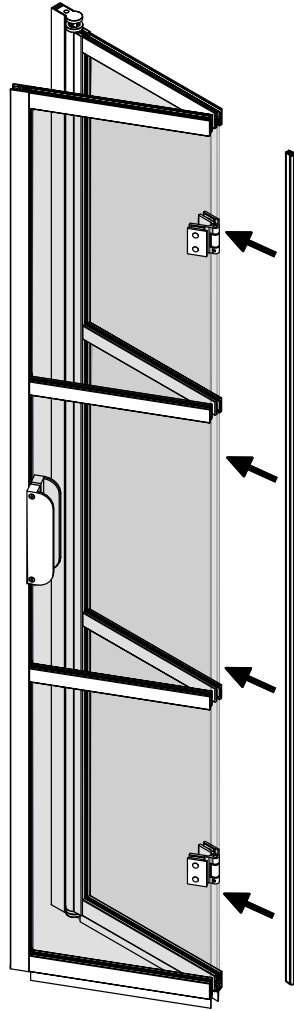


6

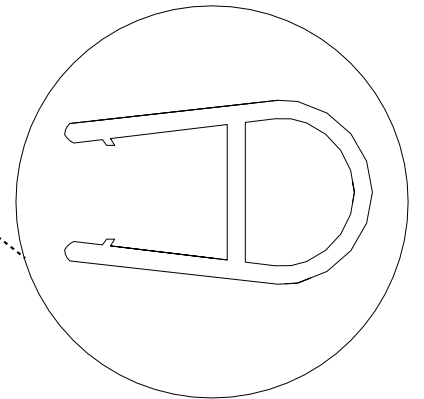
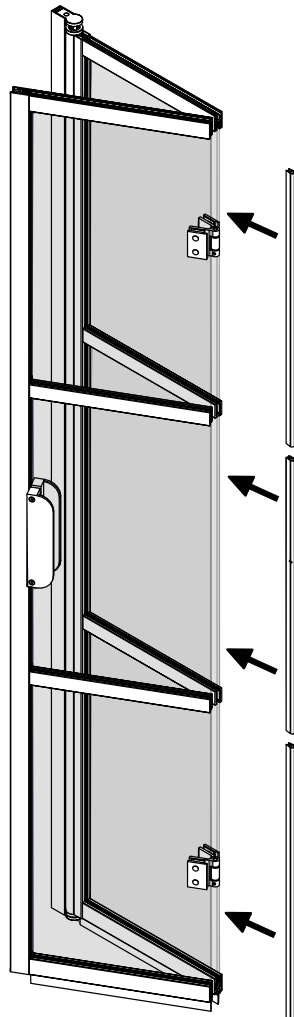
I.

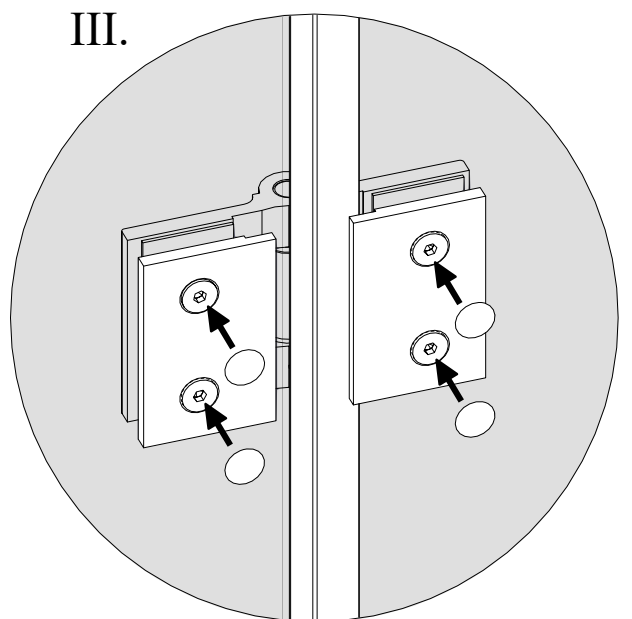
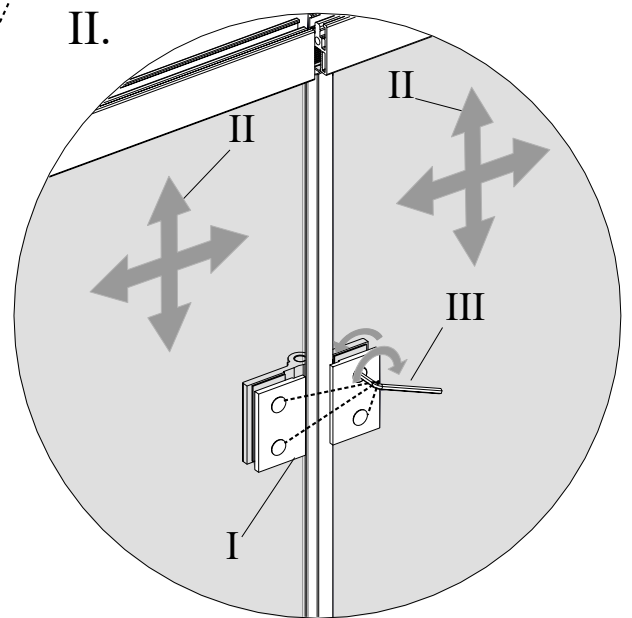
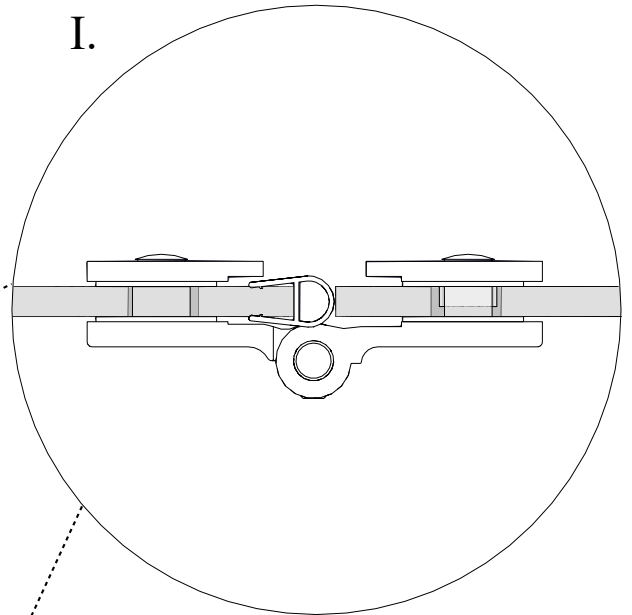
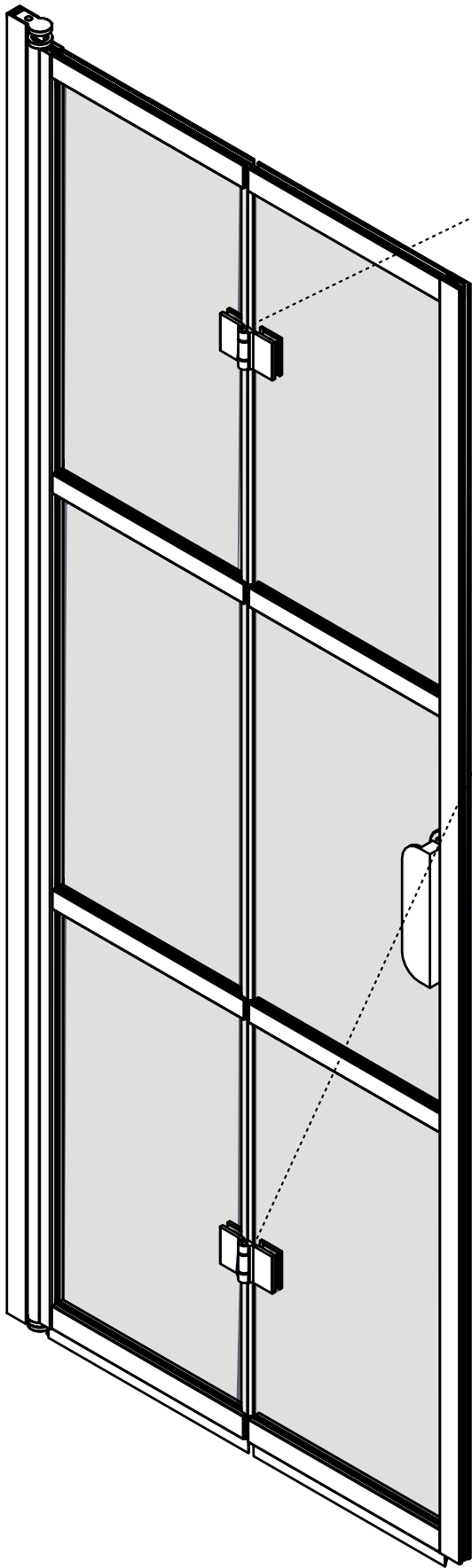


II.



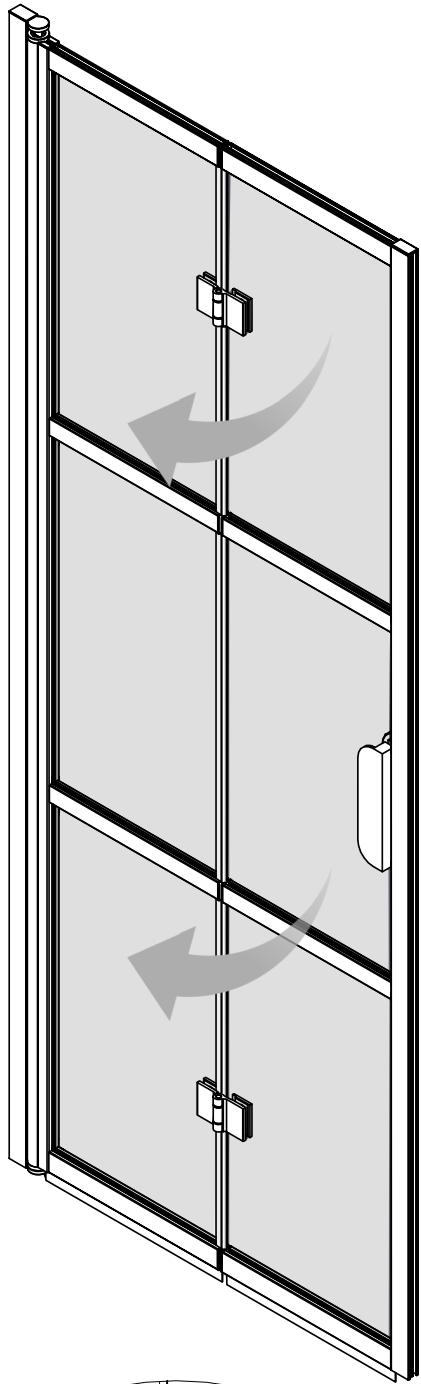
III.



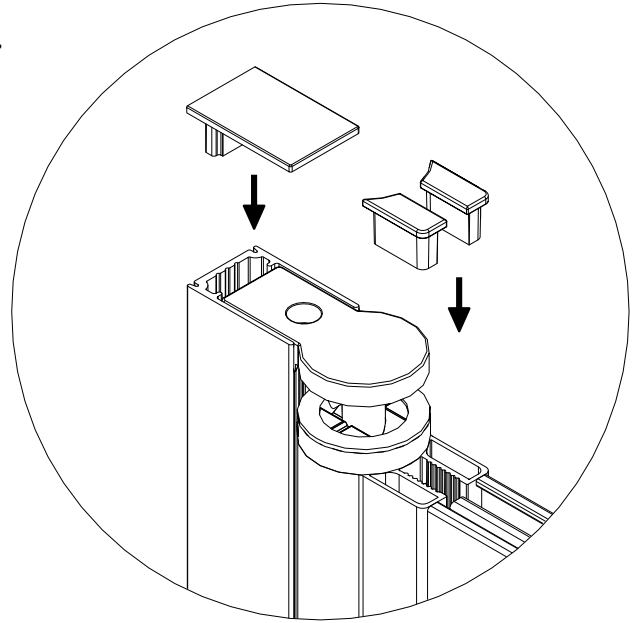




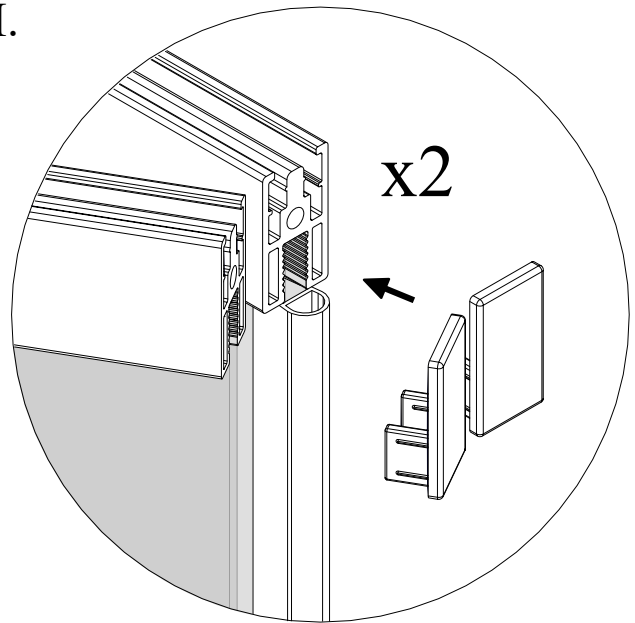
11



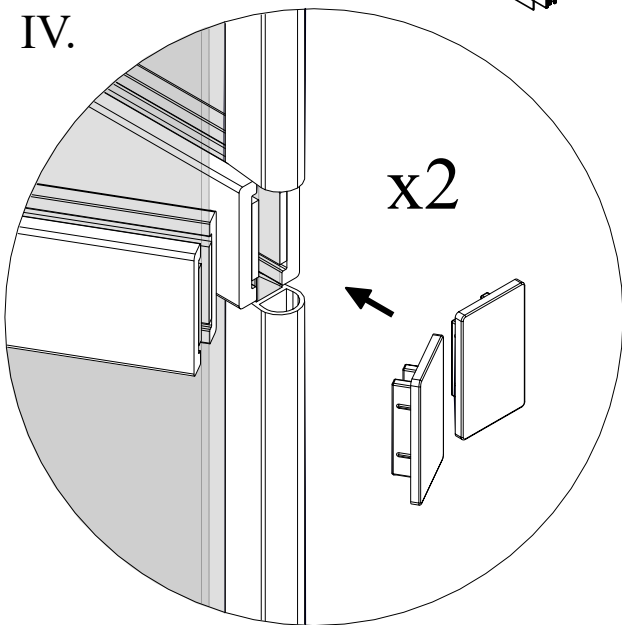
I.



II.



IV.



III.

