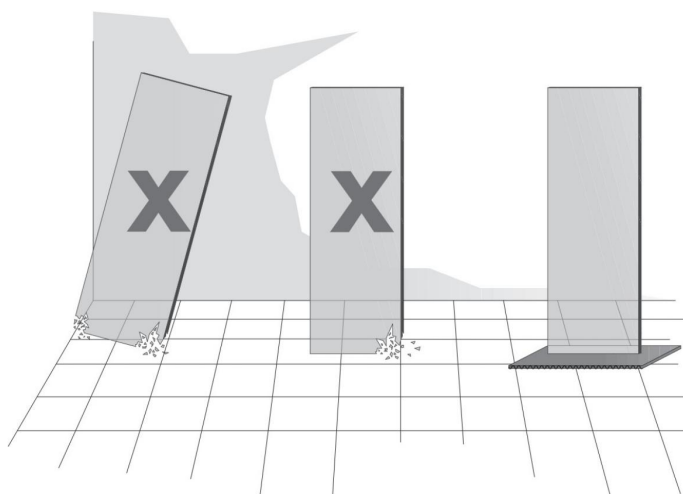


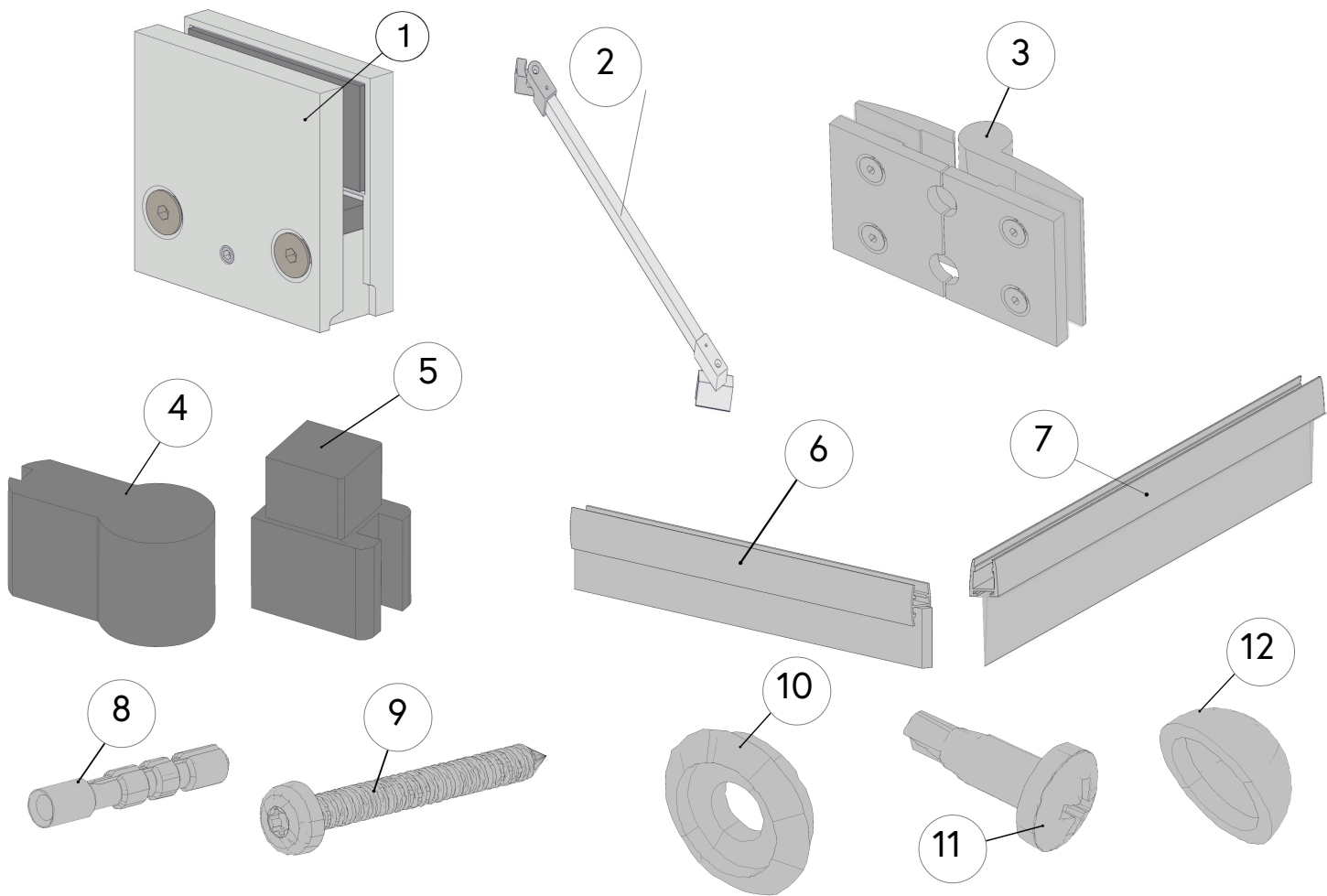


FORMA

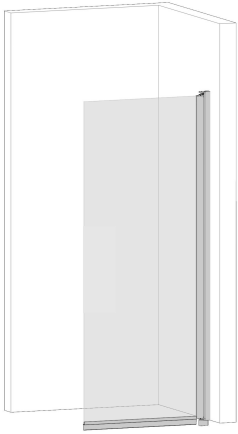


[]301 []302 []303 []304 []305

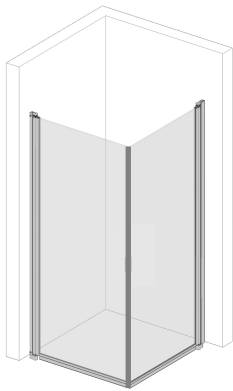




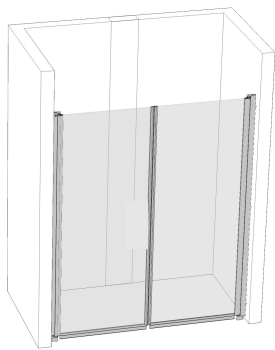
| PART | 301 | 302 | 303 | 304 | 305 |
|------|-----|-----|-----|-----|-----|
| 1 | x 1 | | | x 1 | x1 |
| 2 | x 1 | | | x 1 | x1 |
| 3 | | | x 2 | | x2 |
| 4 | | x 1 | x 1 | x 1 | x1 |
| 5 | x 1 | | | x 1 | x1 |
| 6 | x 1 | | | x 1 | x1 |
| 7 | | x 1 | x 2 | x 1 | x2 |
| 8 | x 7 | x 4 | x 4 | x 7 | x7 |
| 9 | x 7 | x 4 | x 4 | x 7 | x7 |
| 10 | x 4 | x 4 | x 4 | x 4 | x4 |
| 11 | x 4 | x 4 | x 4 | x 4 | x4 |
| 12 | x 4 | x 4 | x 4 | x 4 | x4 |



| | | | |
|-------|-----|-------|----|
| FORMA | 301 | _____ | 4 |
| FORMA | 302 | _____ | 8 |
| FORMA | 303 | _____ | 11 |
| FORMA | 304 | _____ | 15 |
| FORMA | 305 | _____ | 20 |

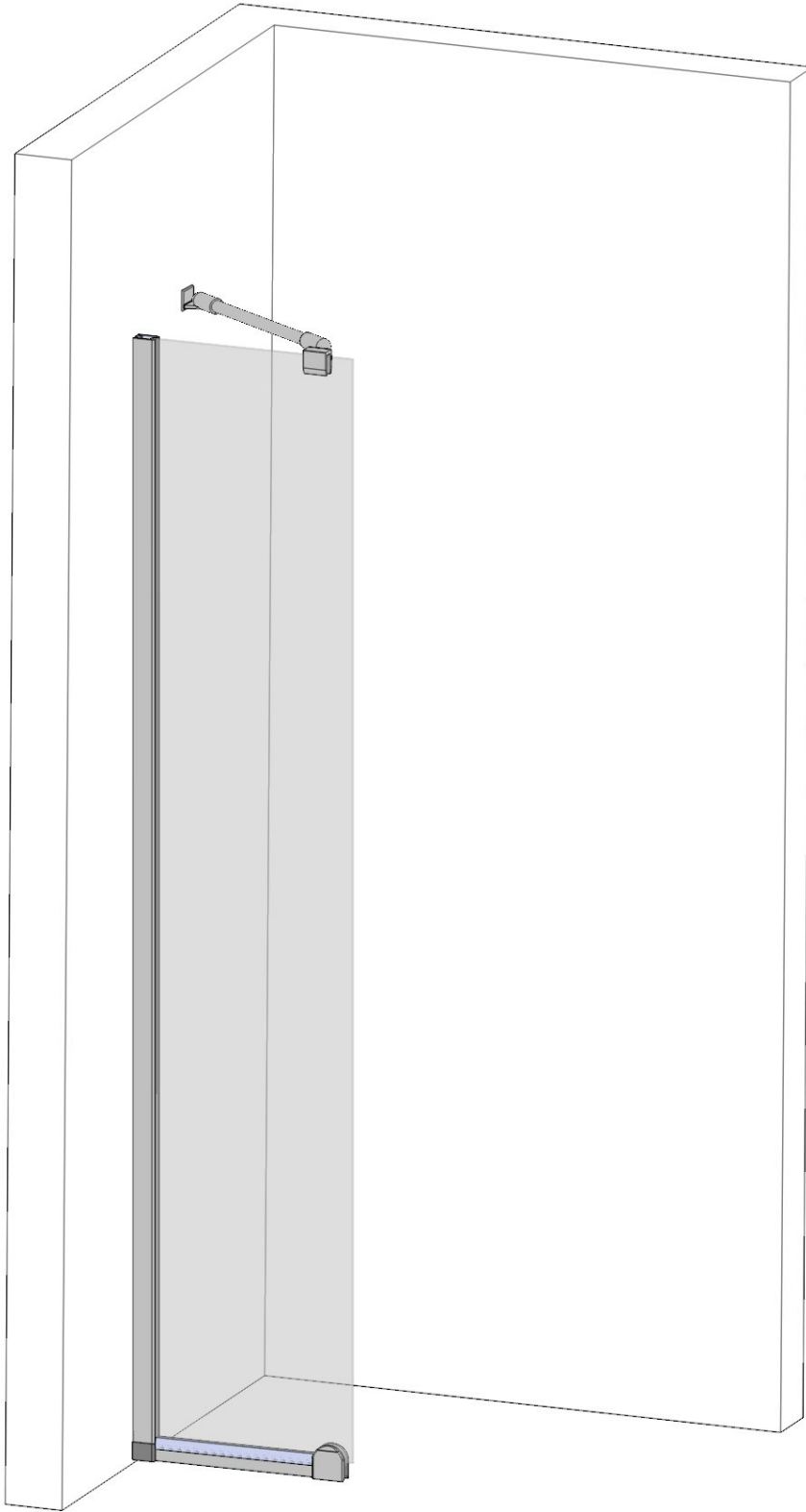


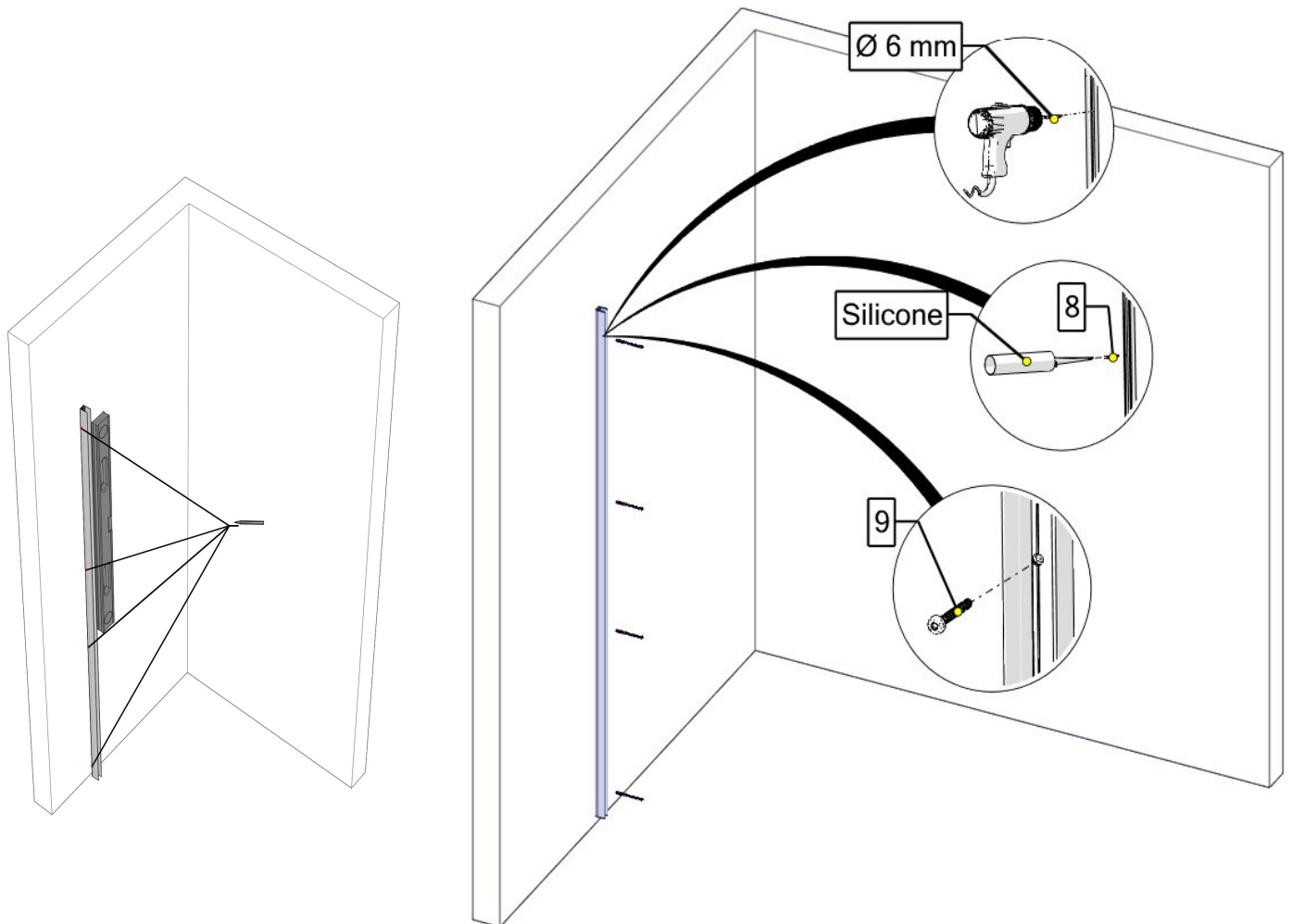
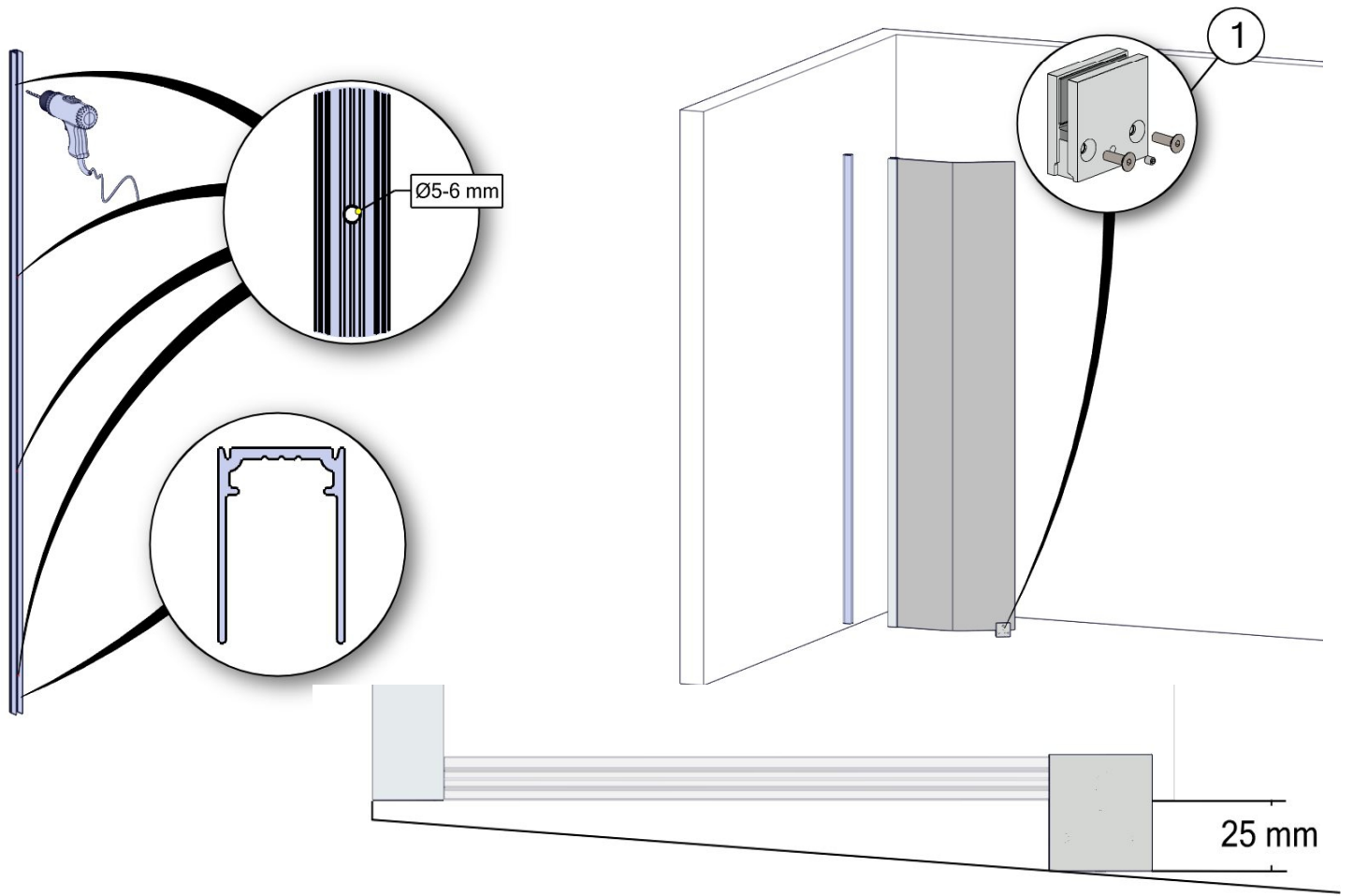
FORMA 30X x 30X _____ 25

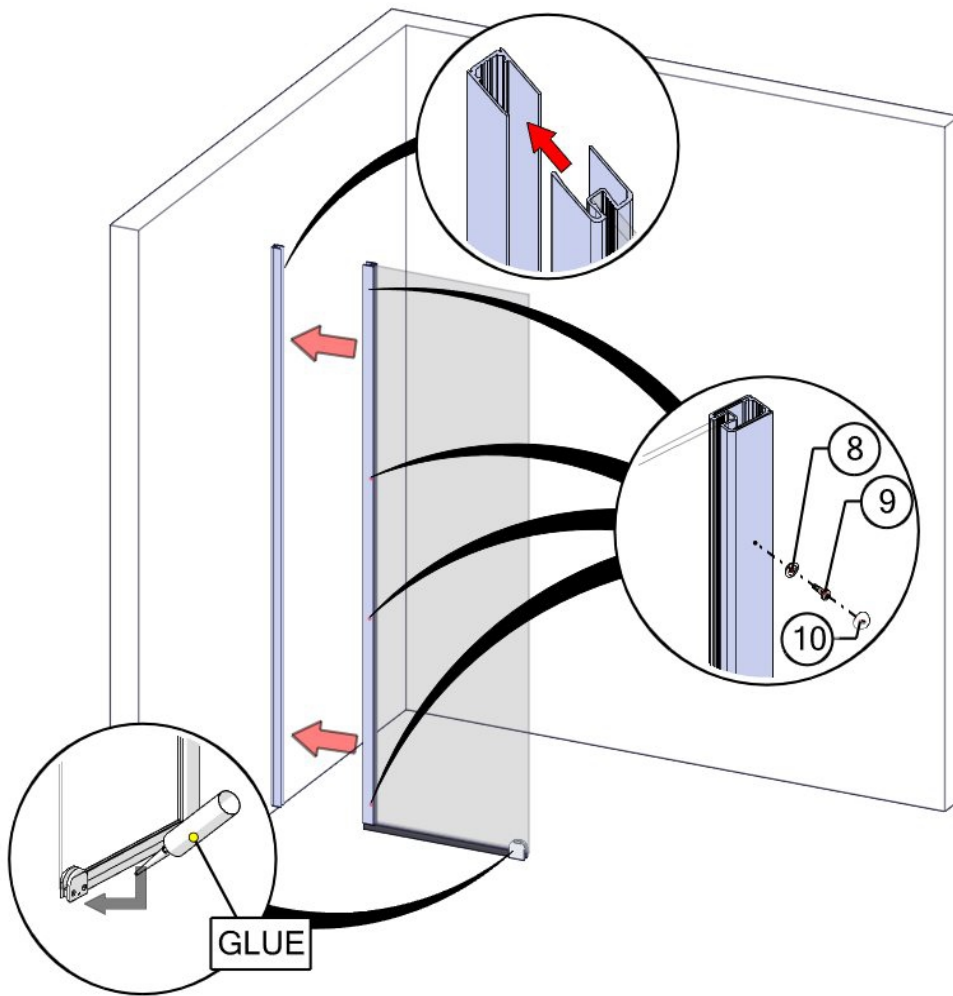
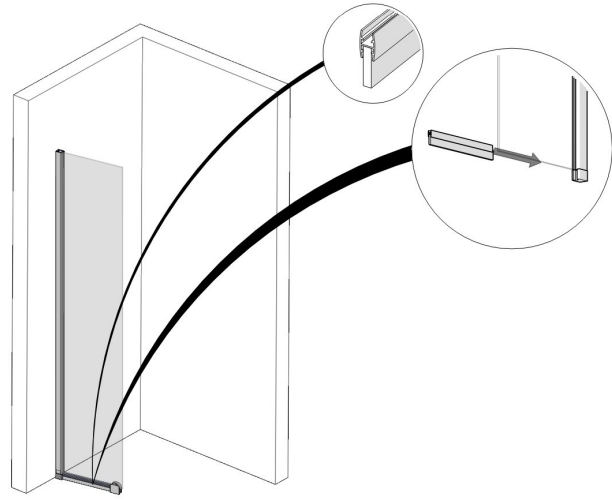
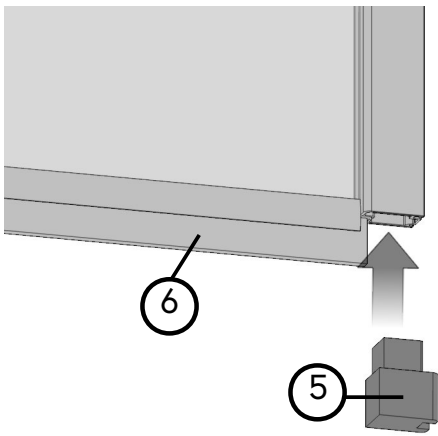


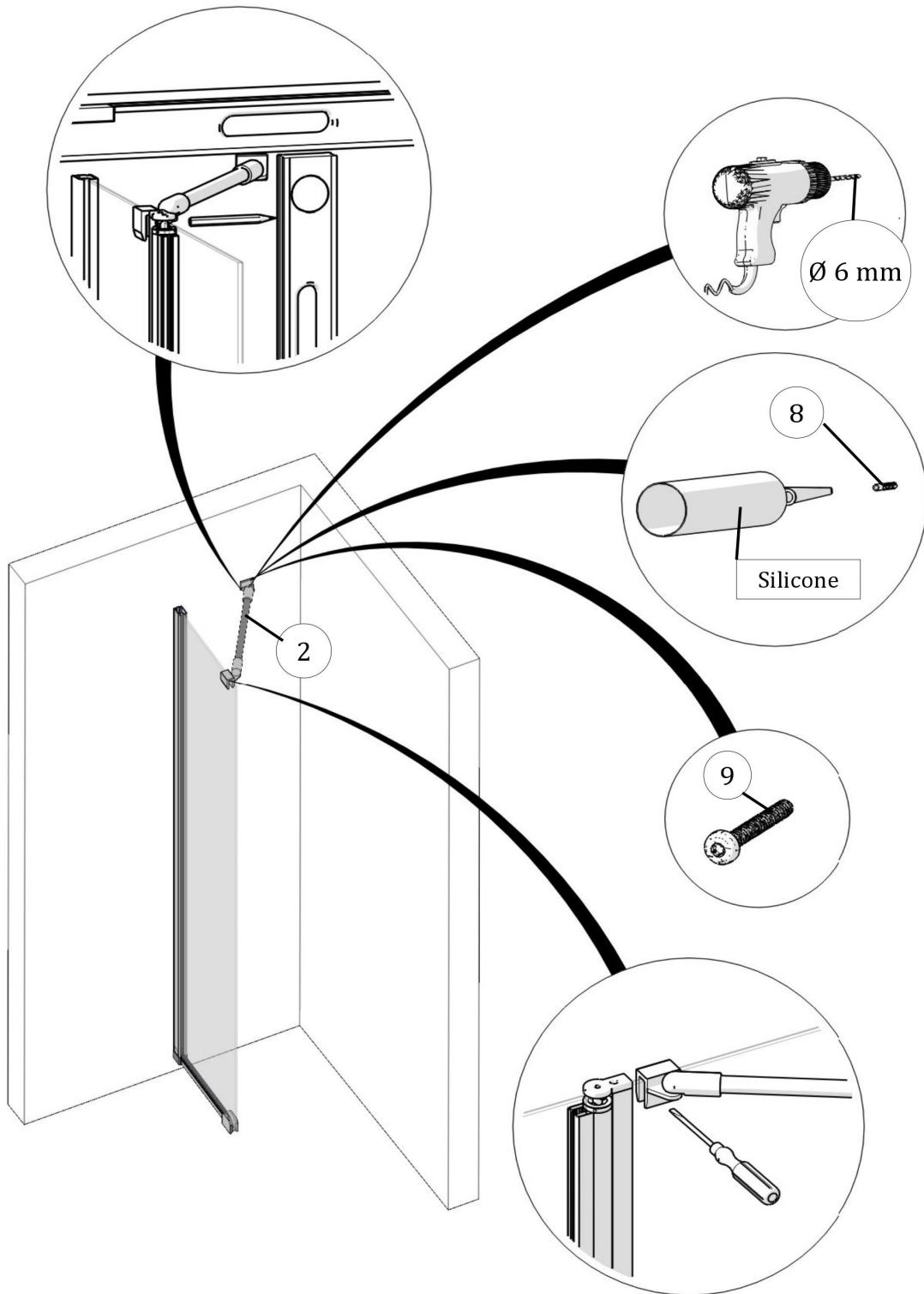
FORMA 30X + 30X _____ 27

301

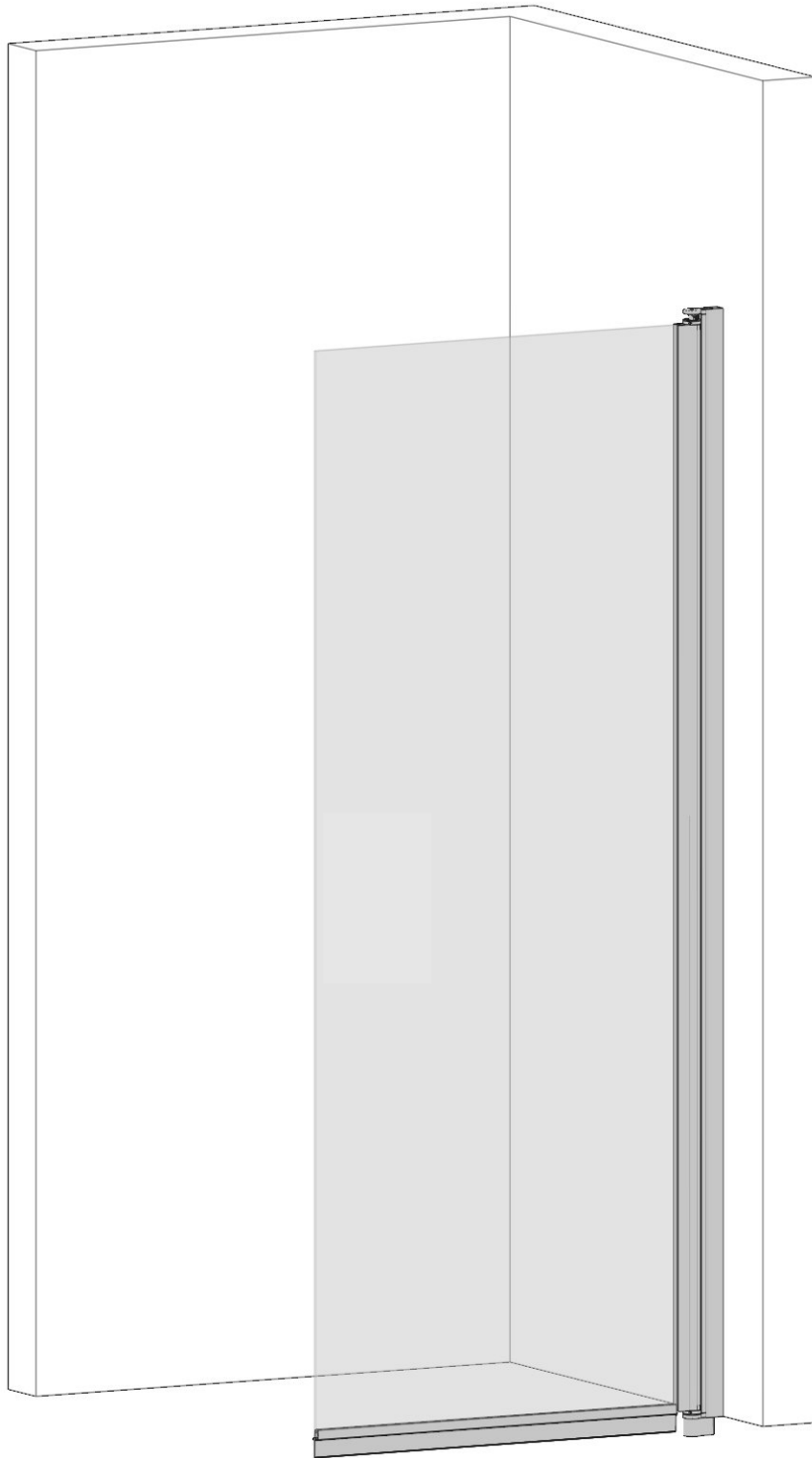


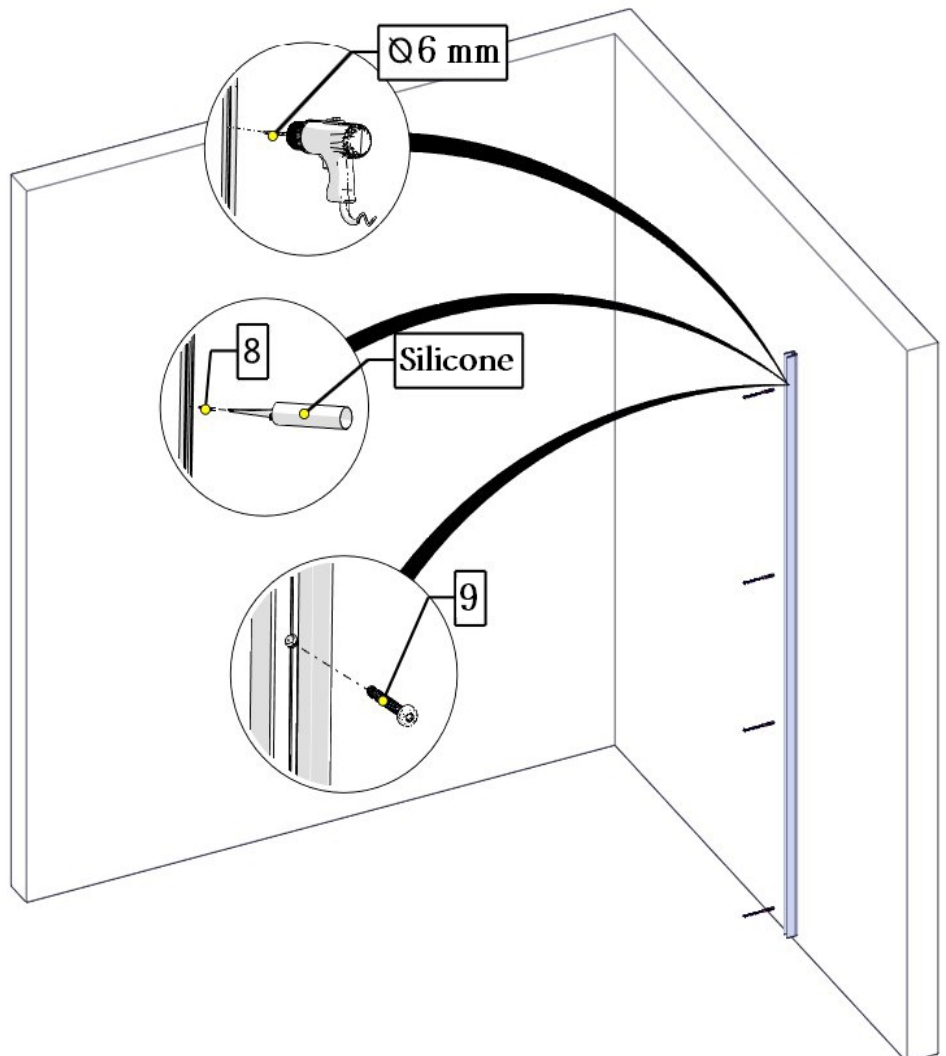
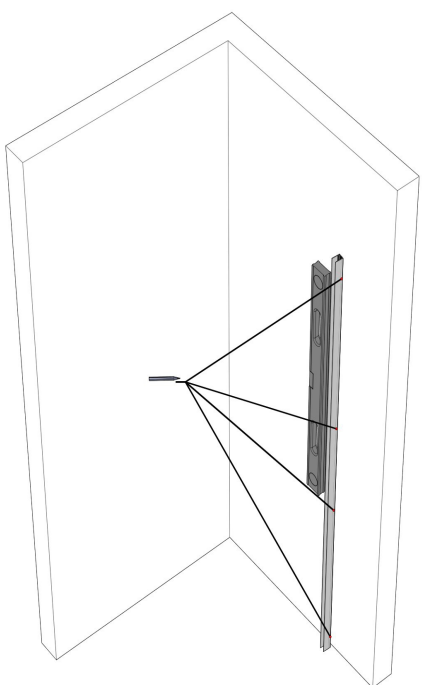
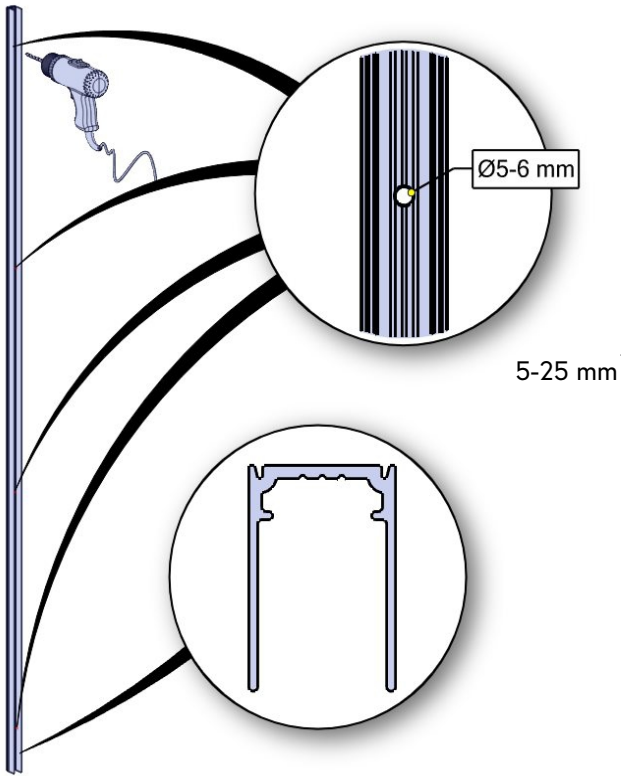


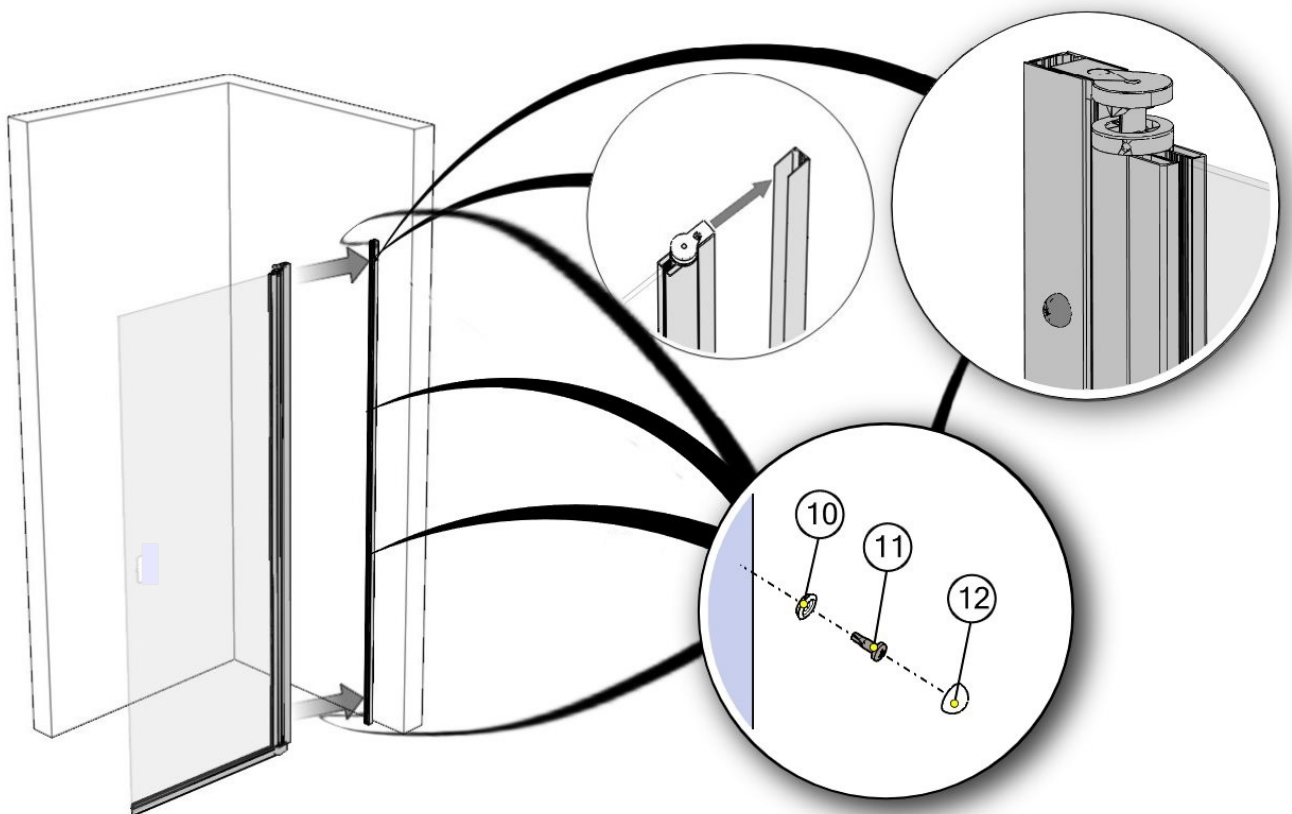
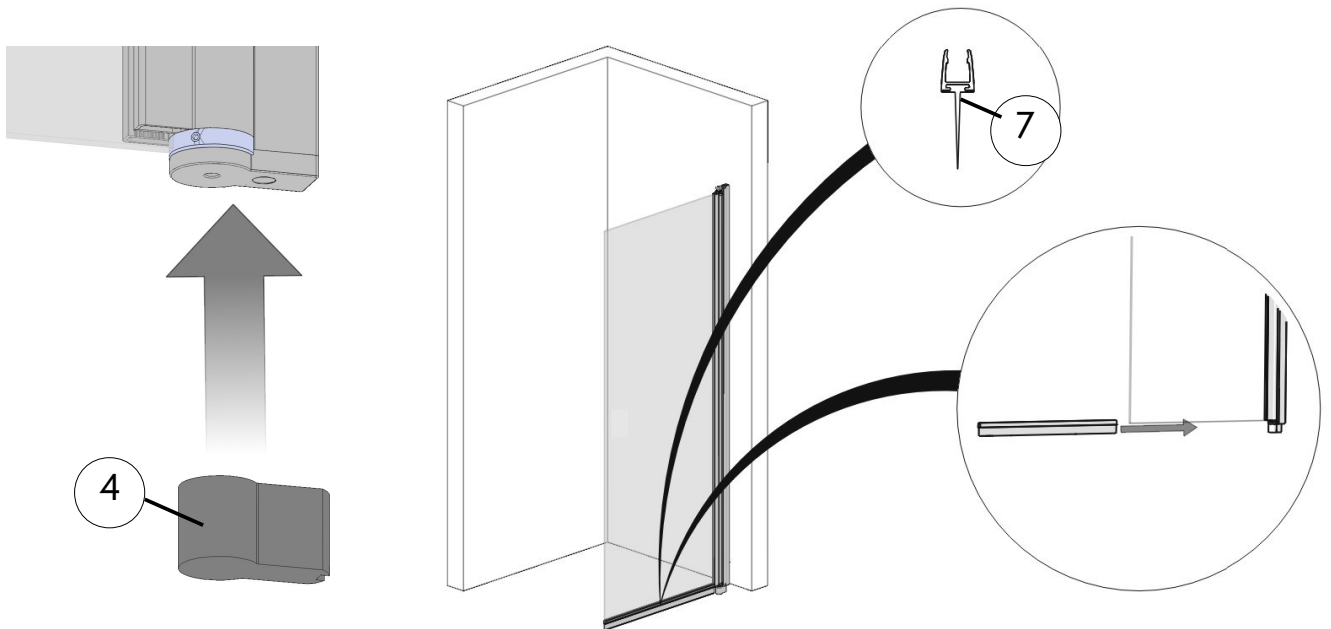




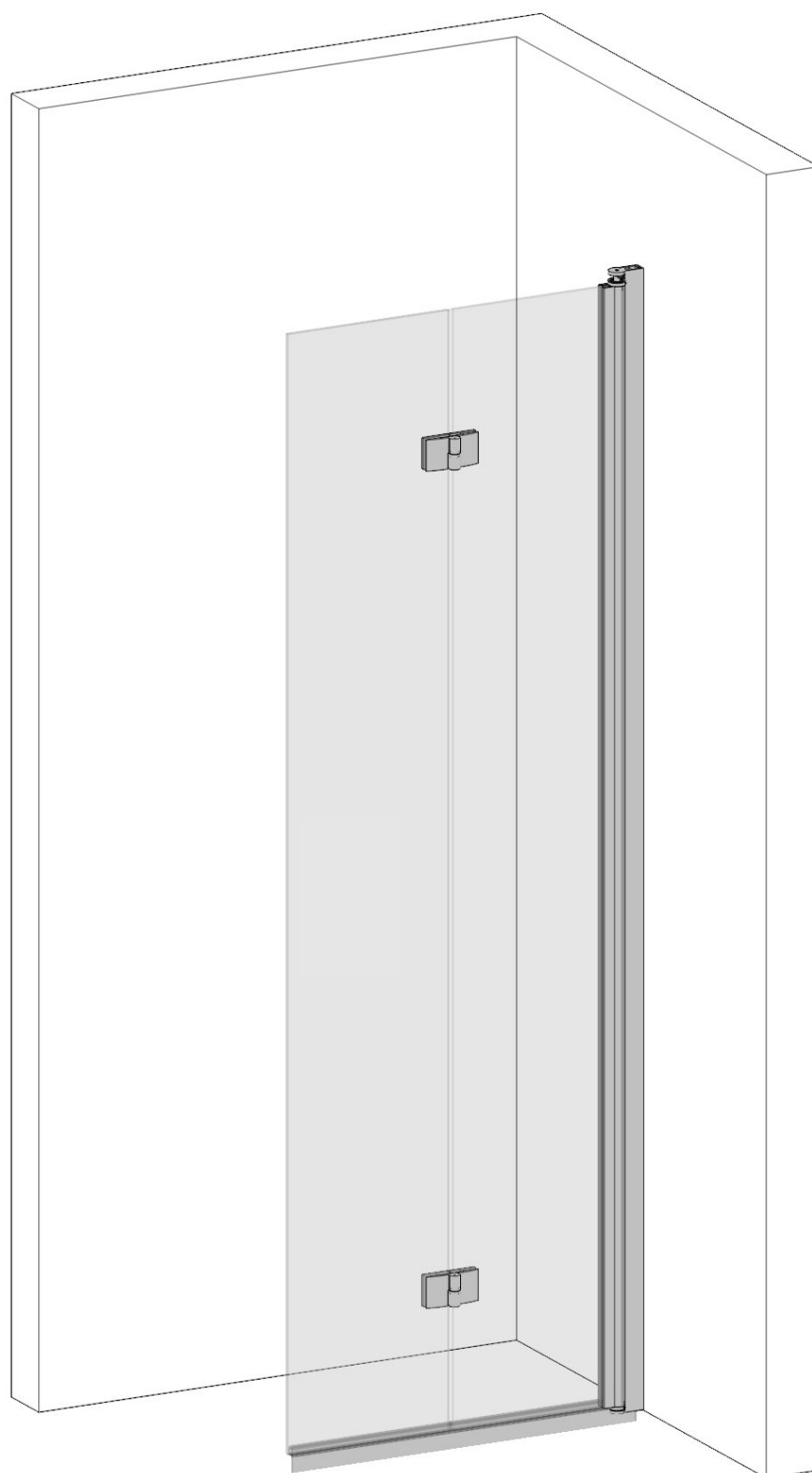
302

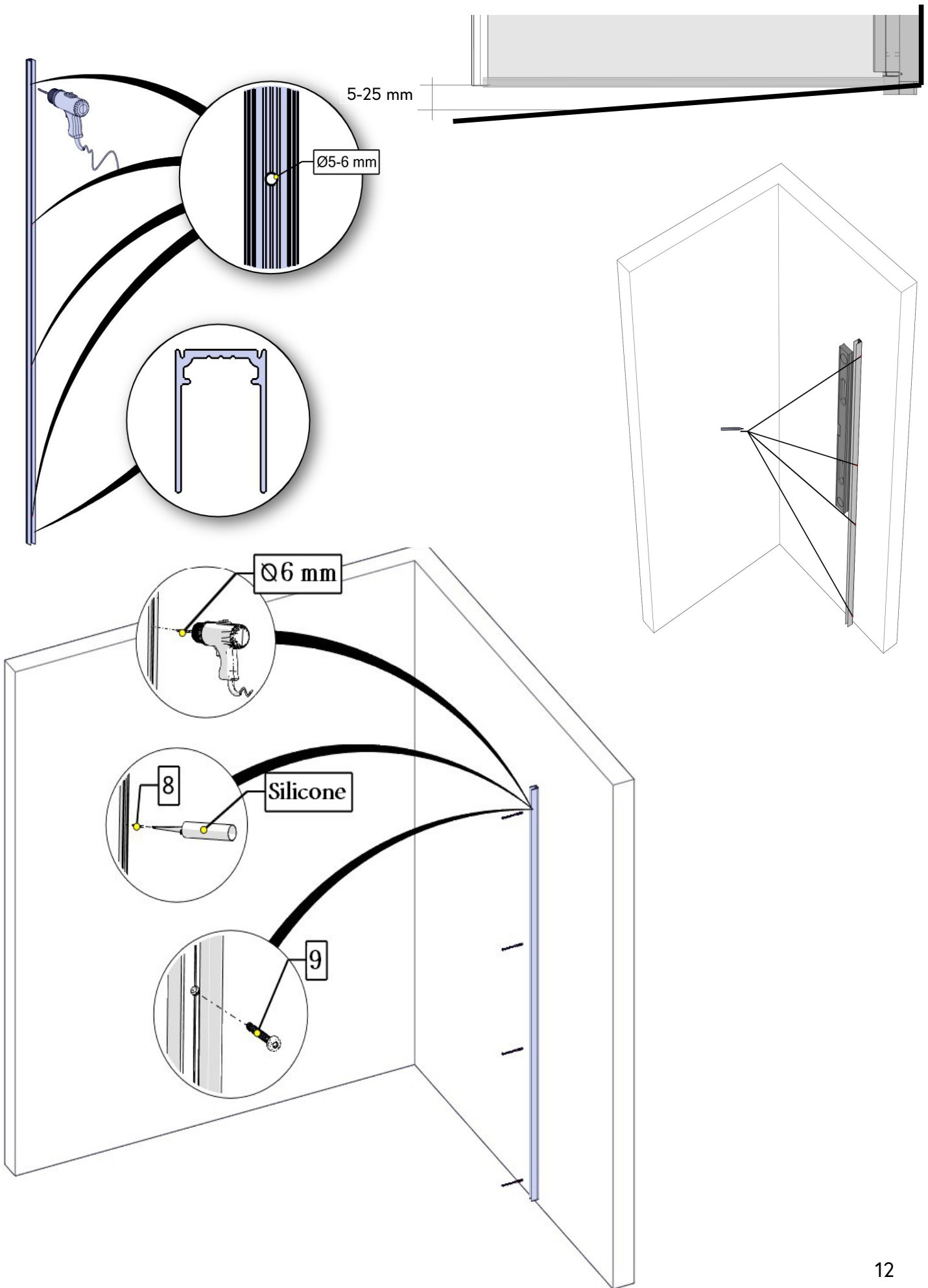


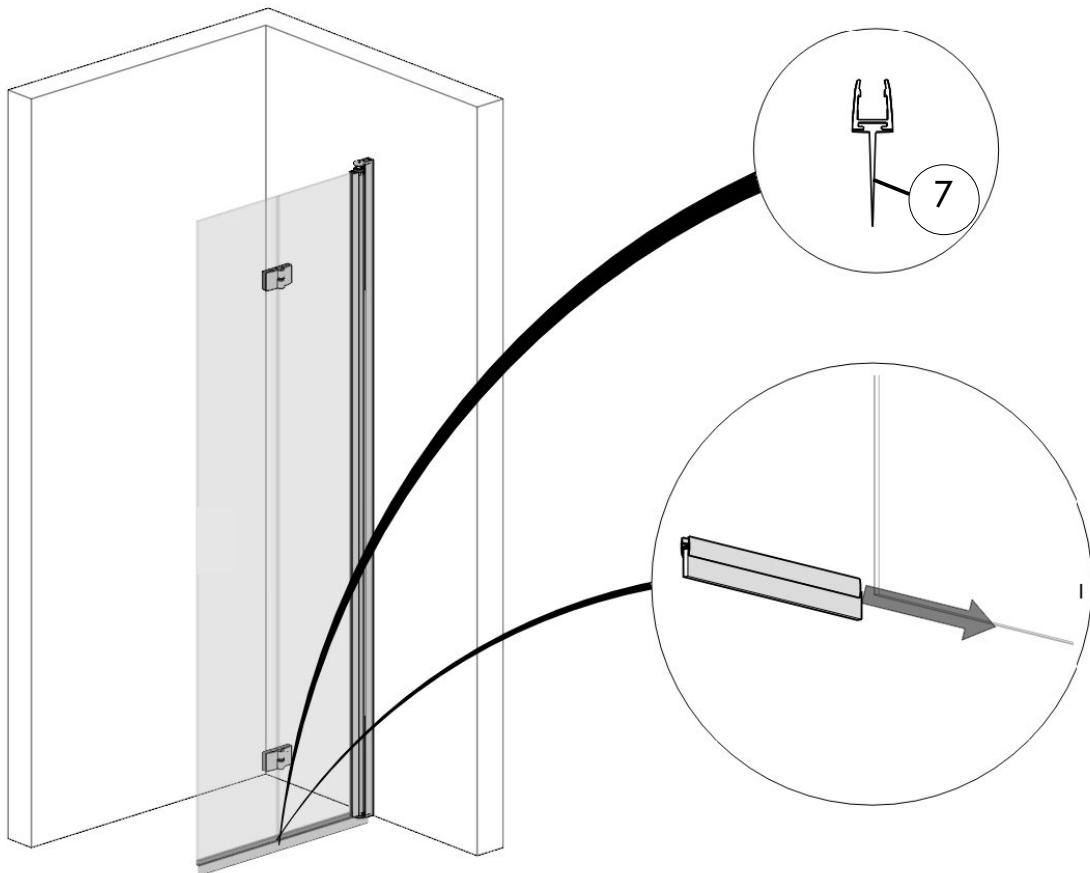
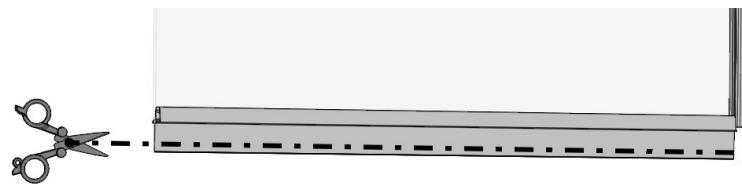
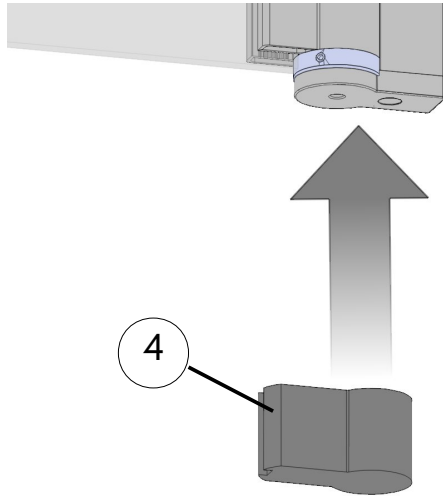


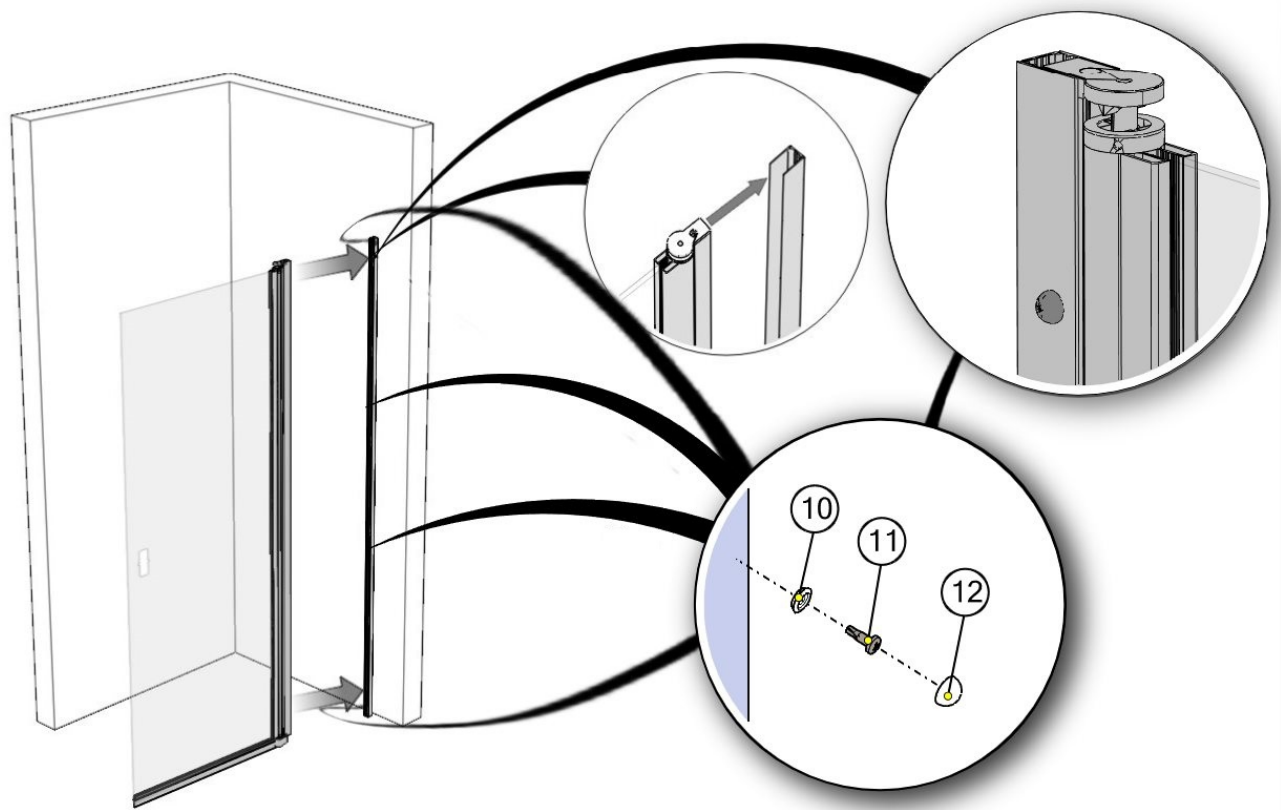


303

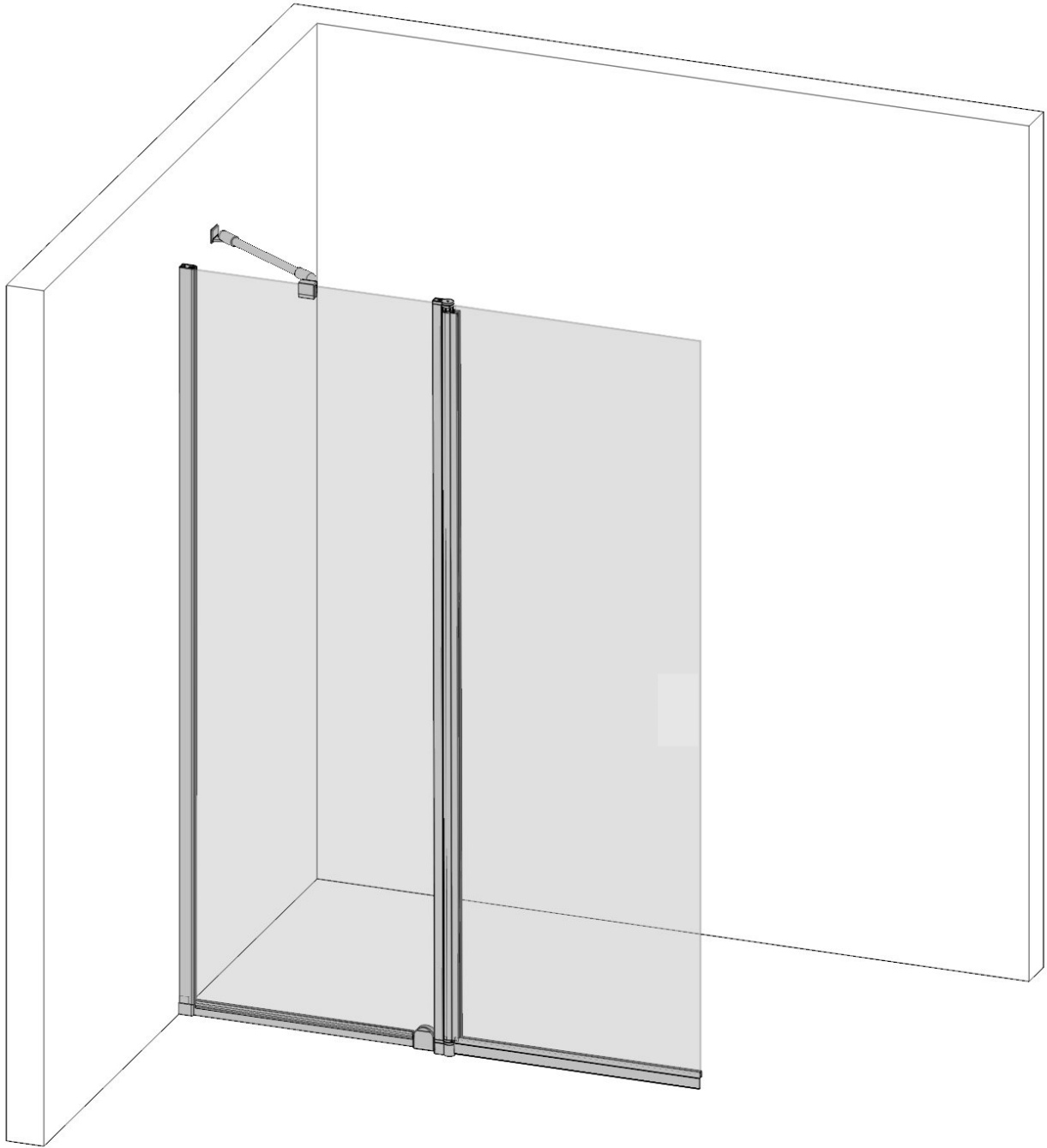


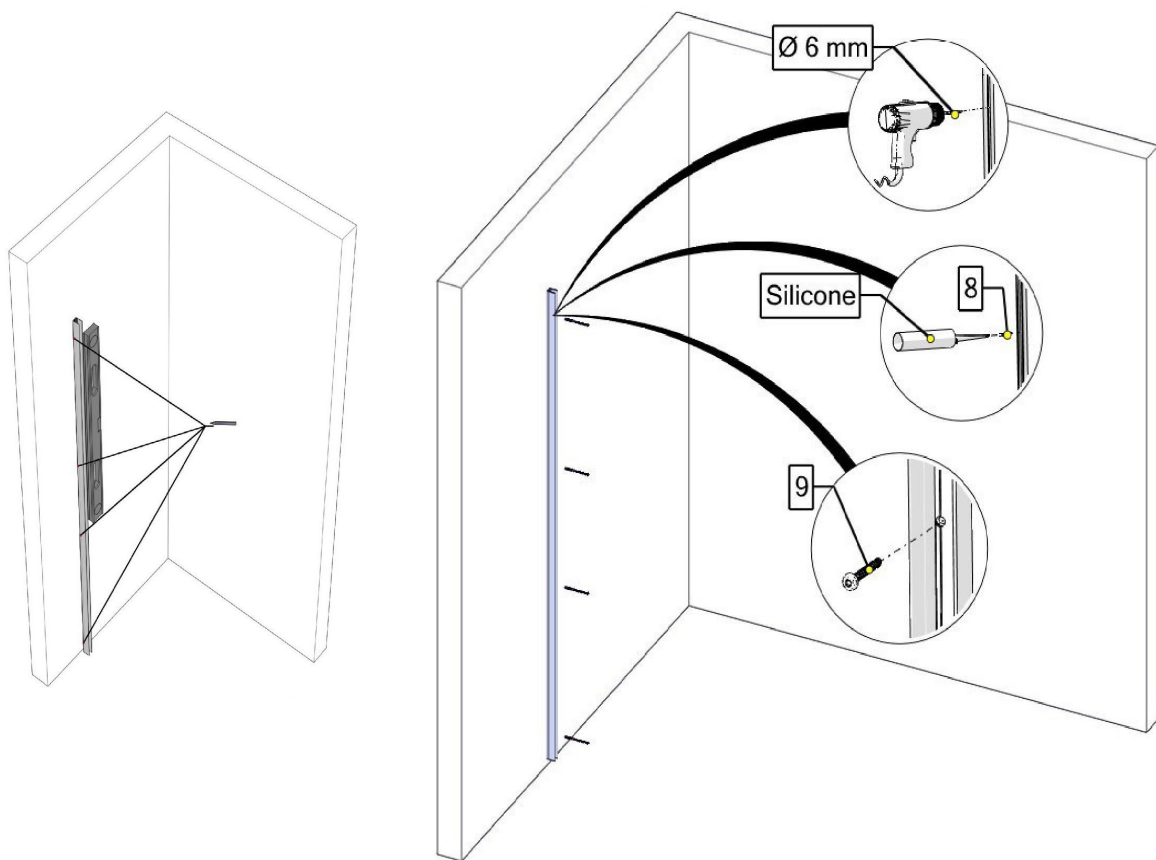
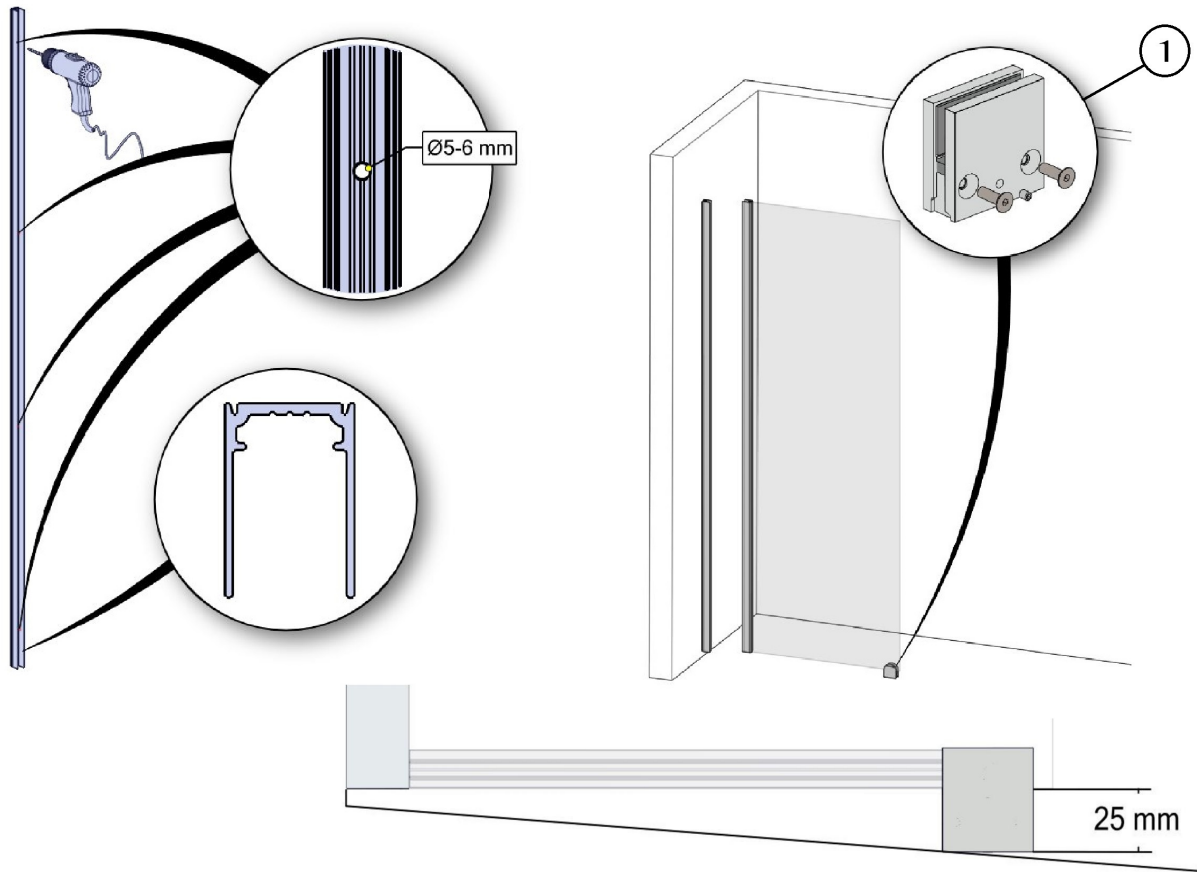


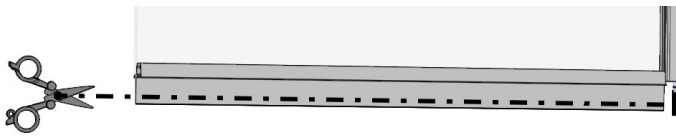
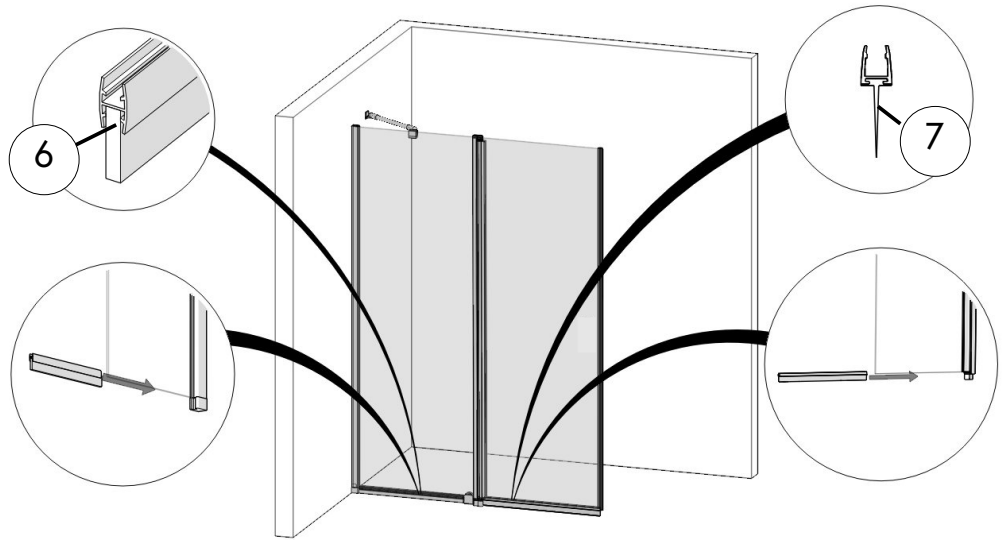
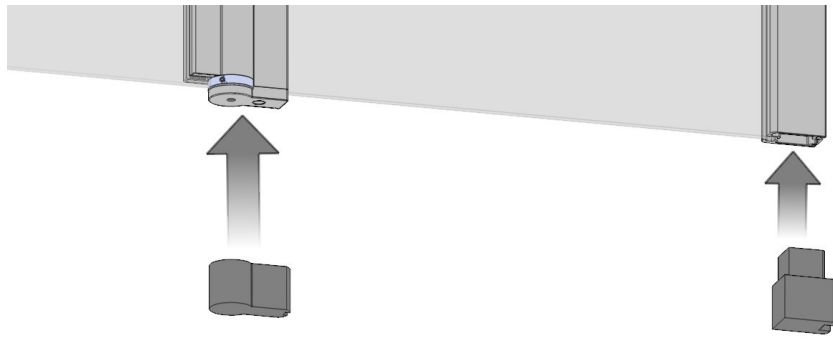


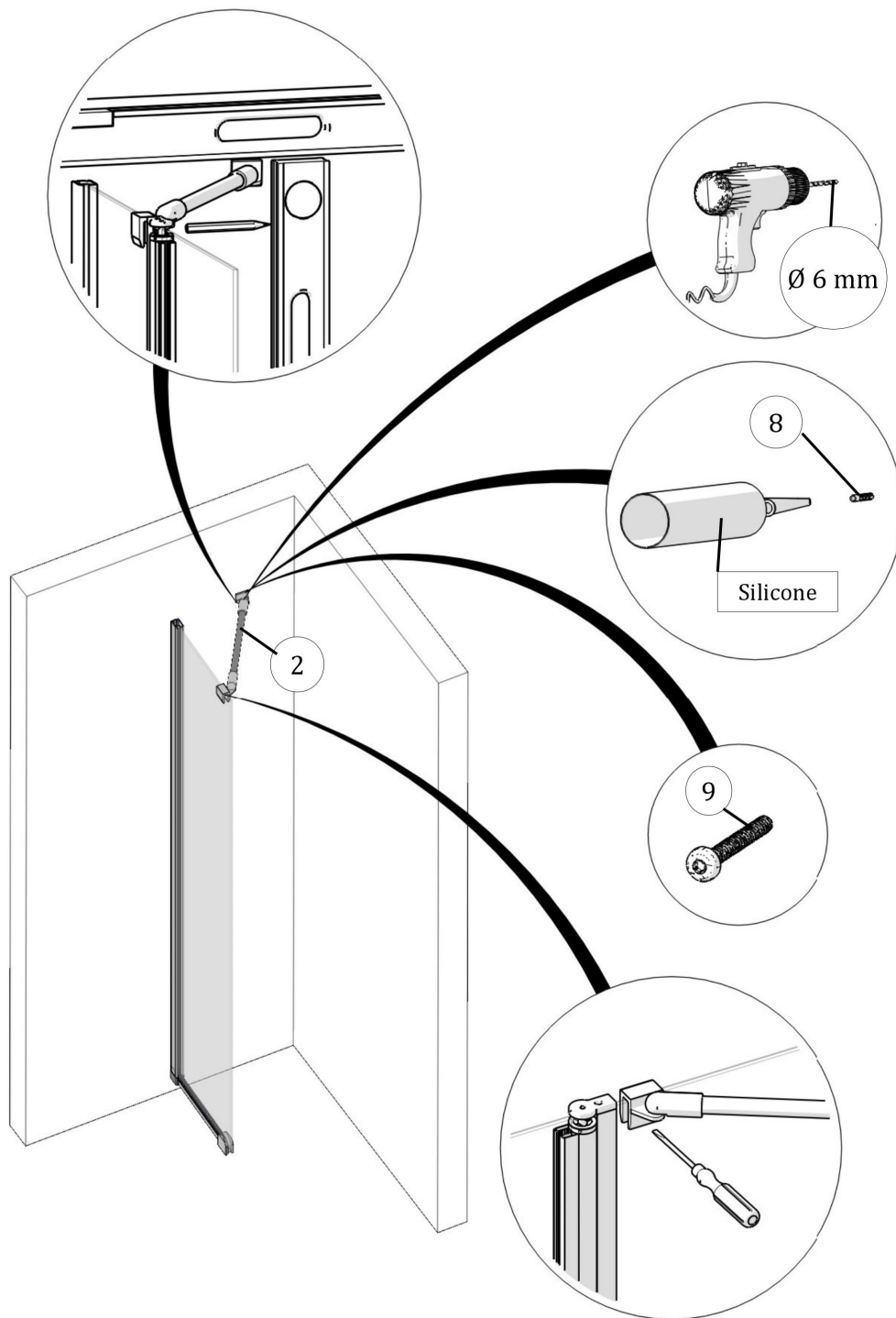


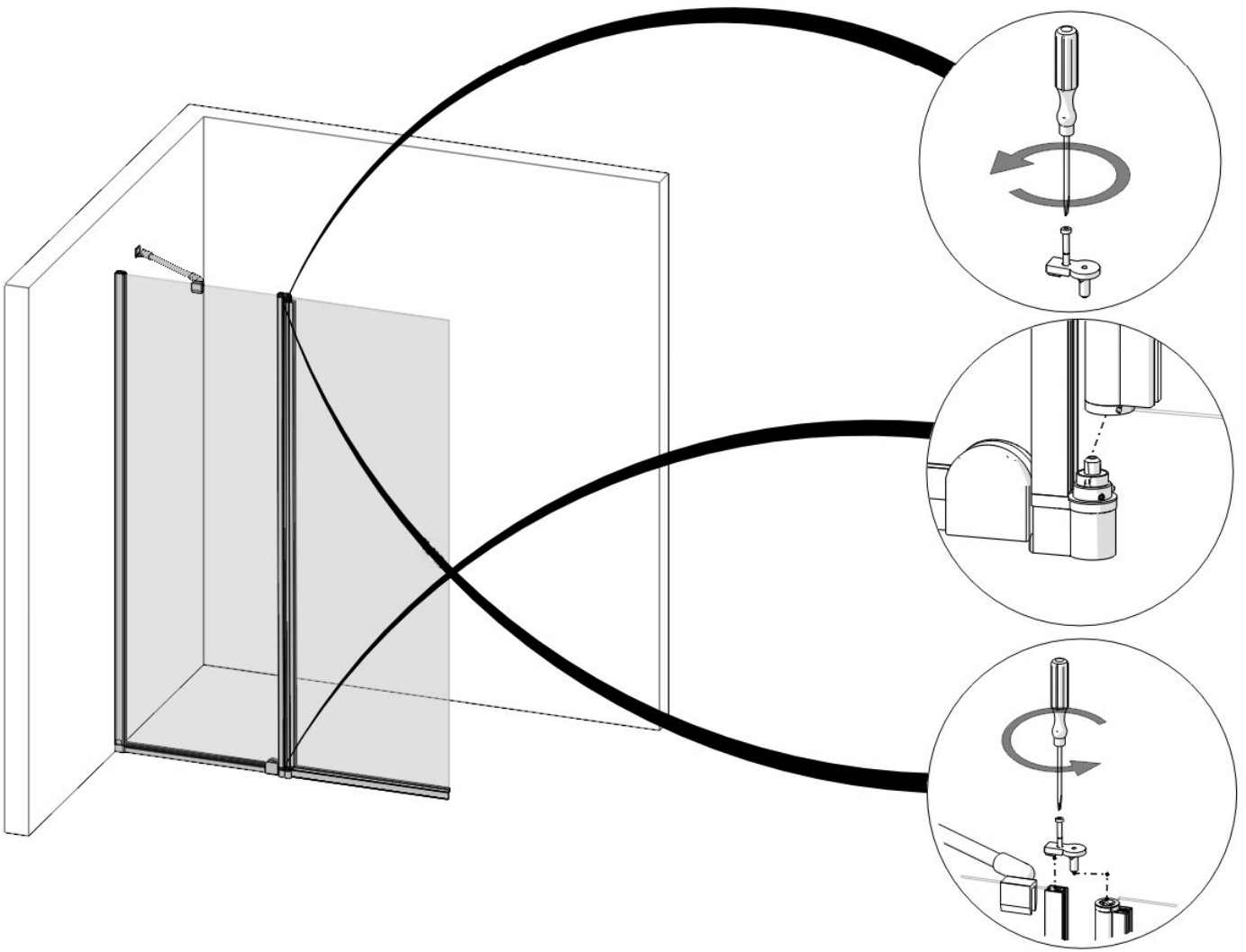
304



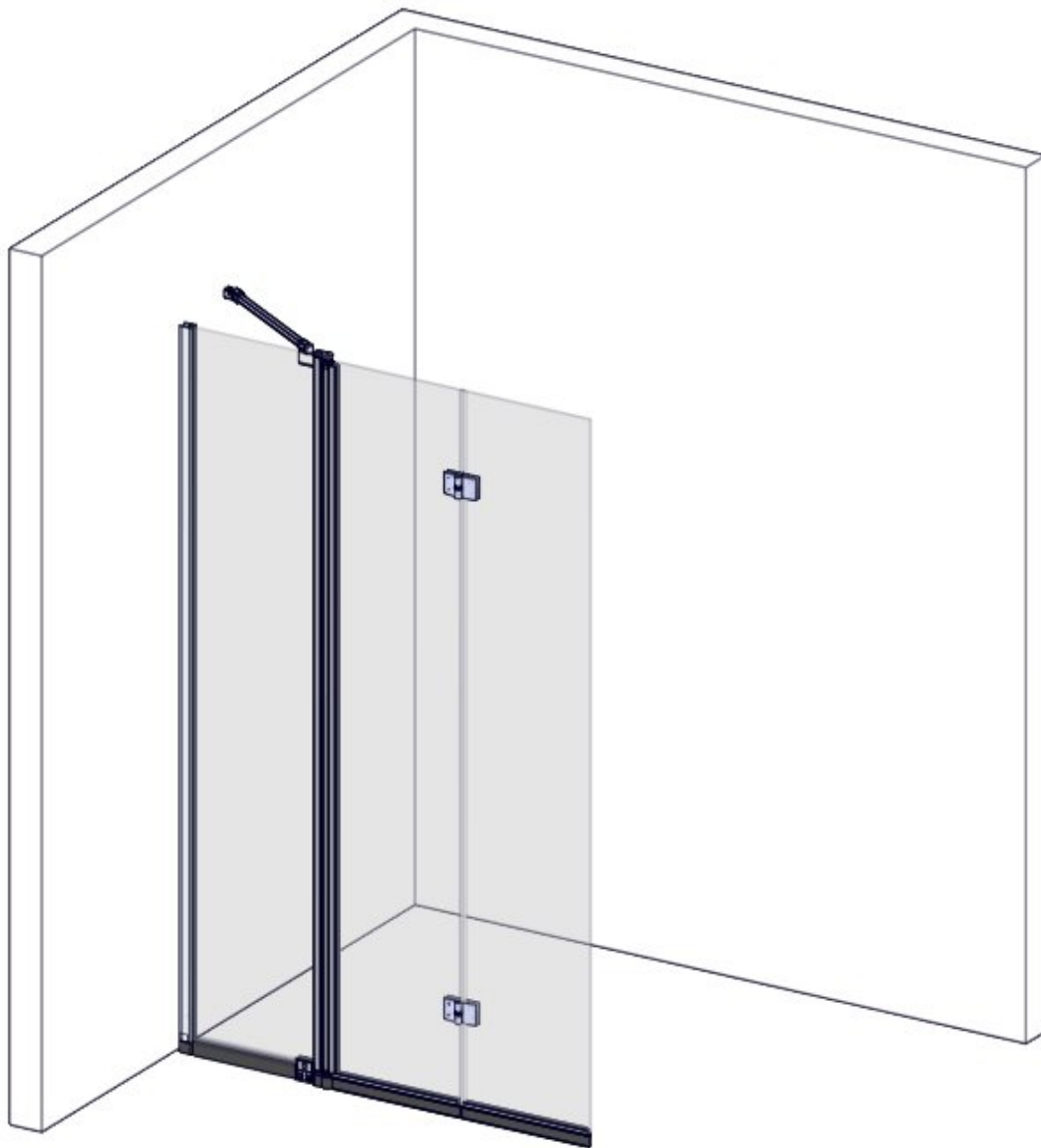


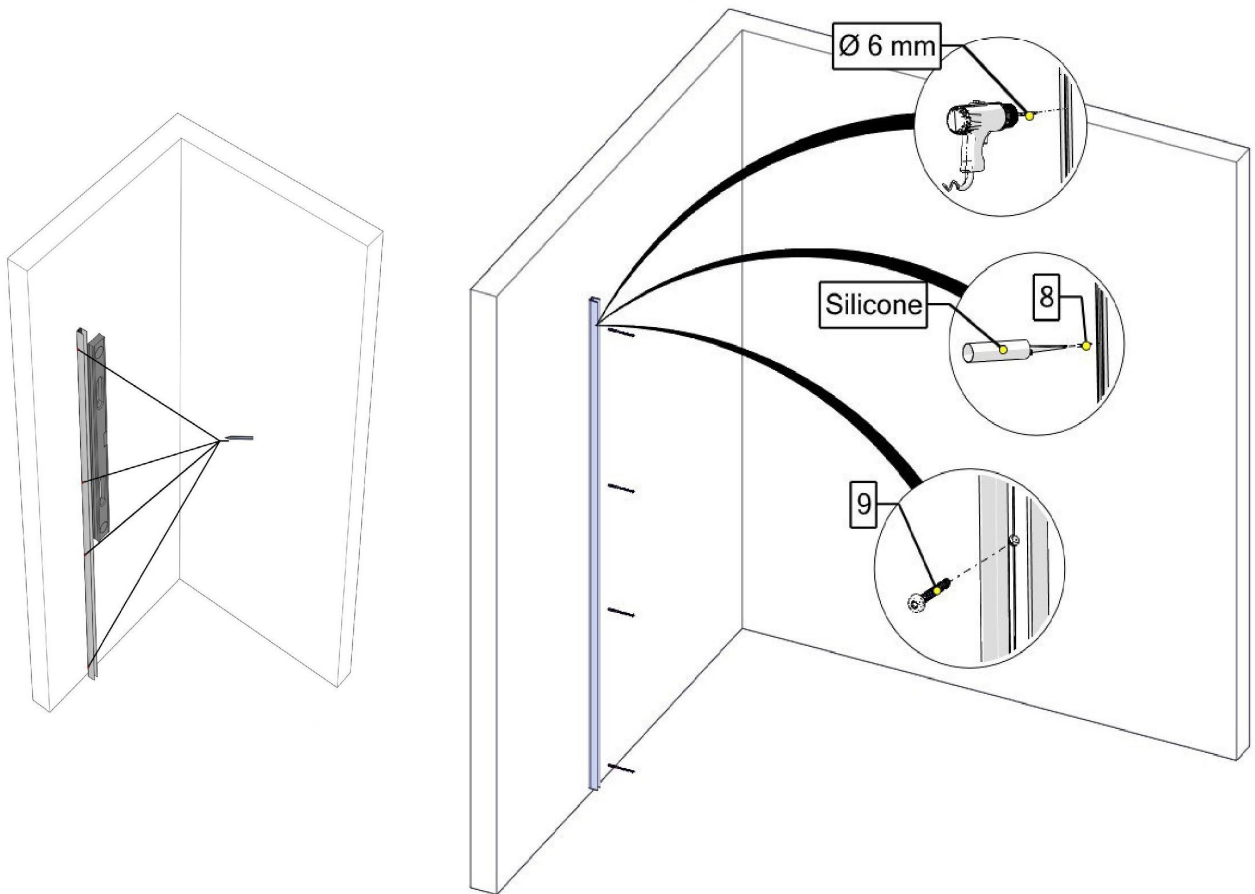
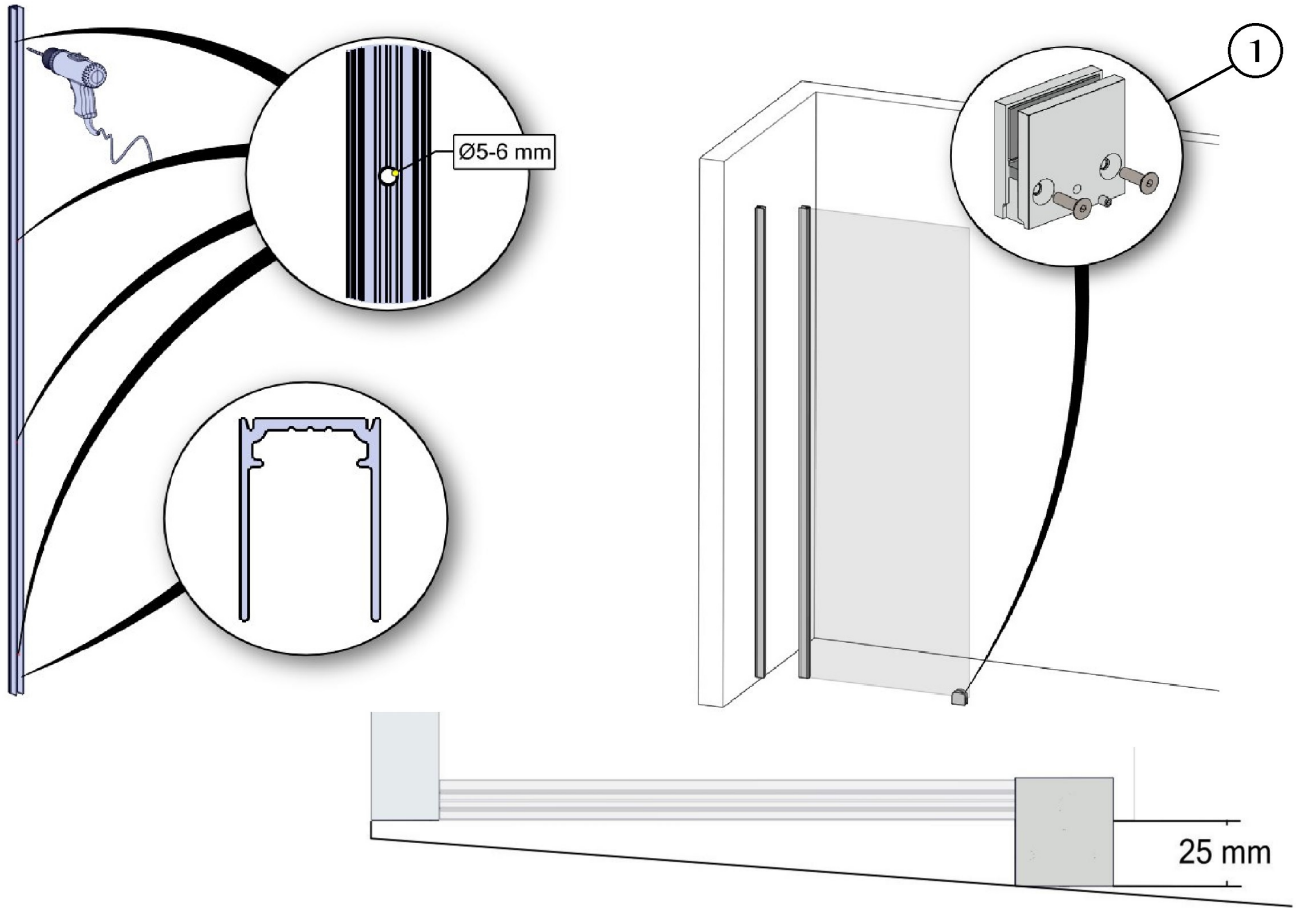


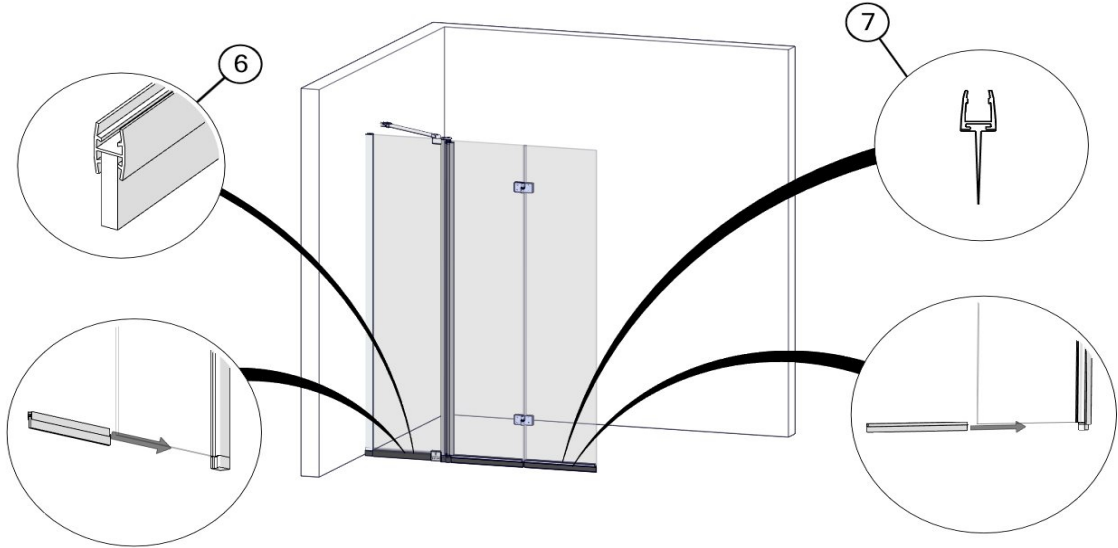
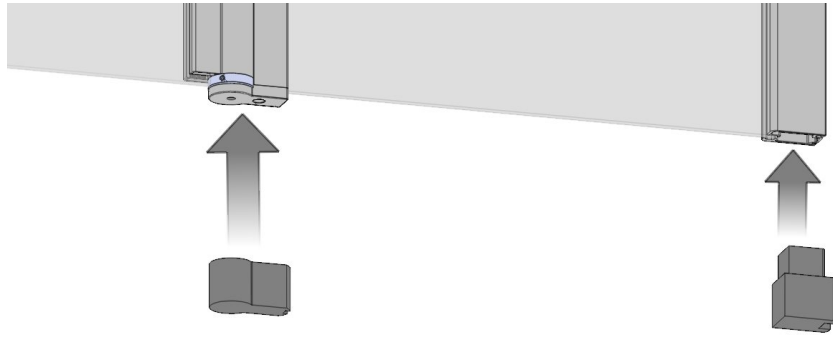


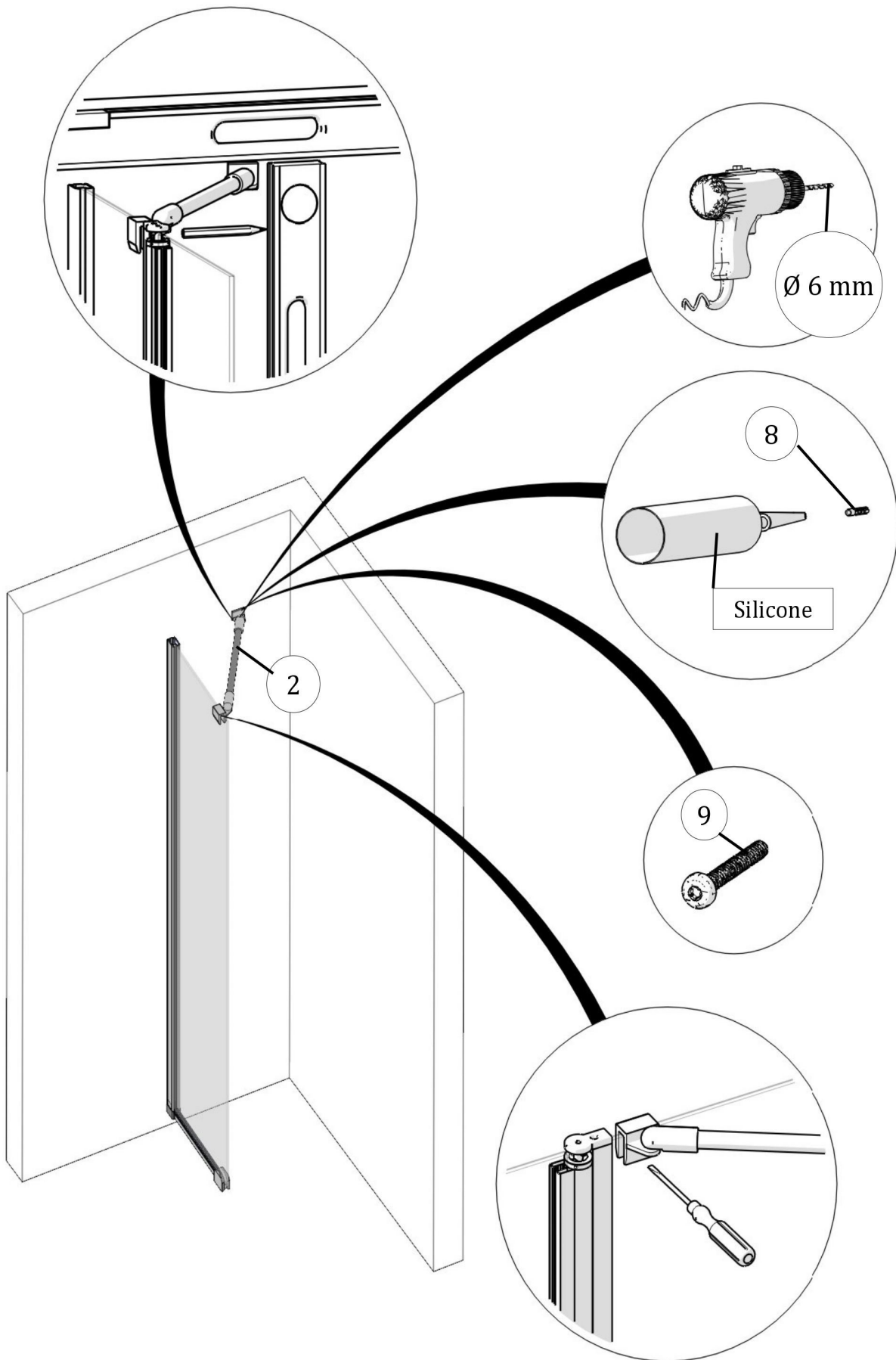


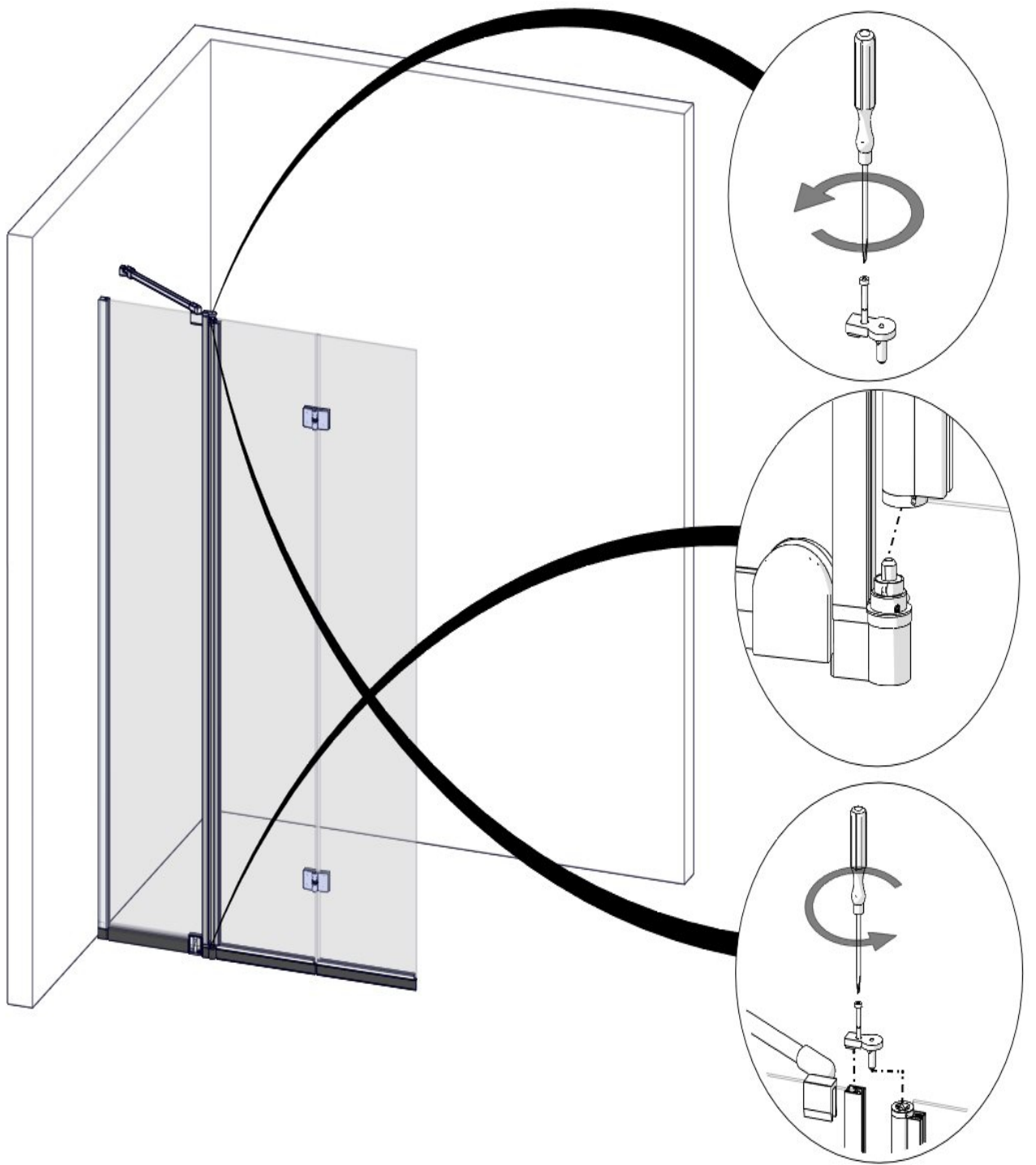
305



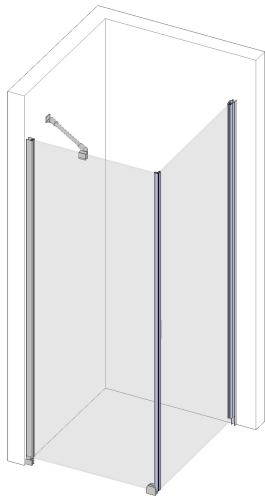








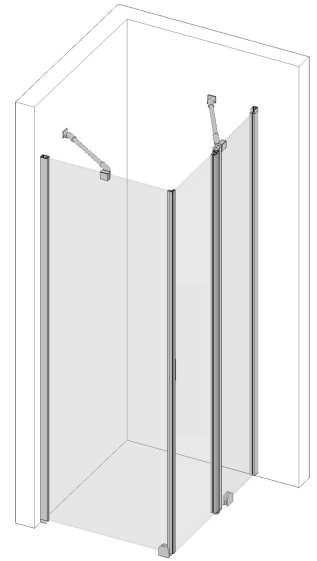
30X x 30X



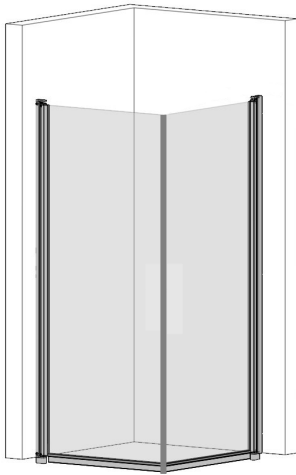
301 x 302



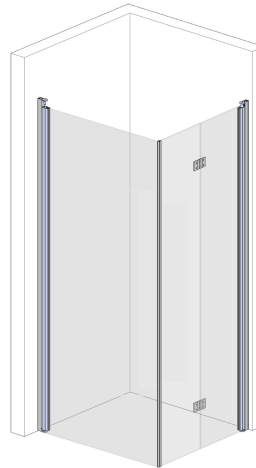
301 x 303



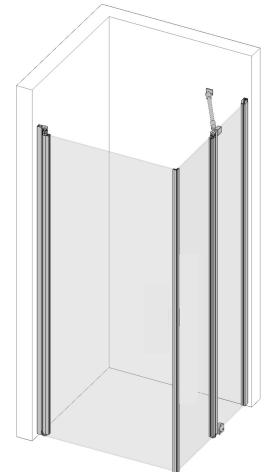
301 x 304



302 x 302



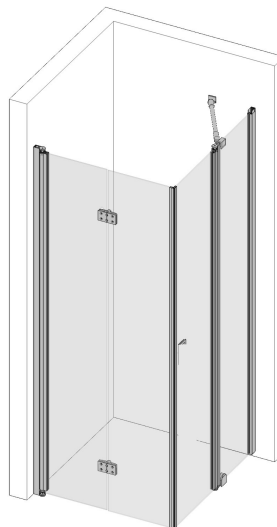
302 x 303



302 x 304



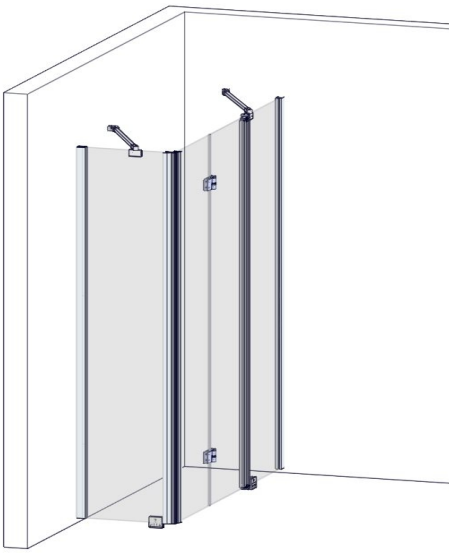
303 x 303



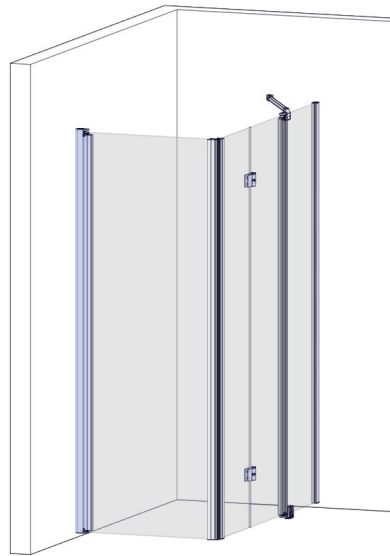
303 x 304



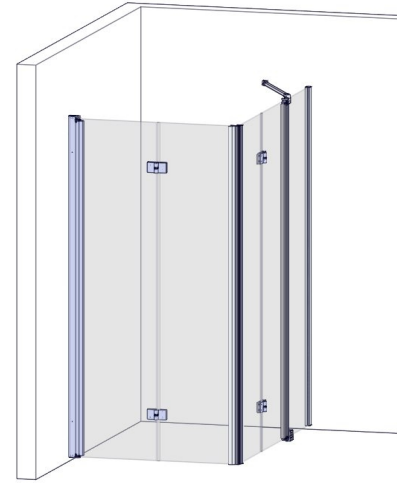
304 x 304



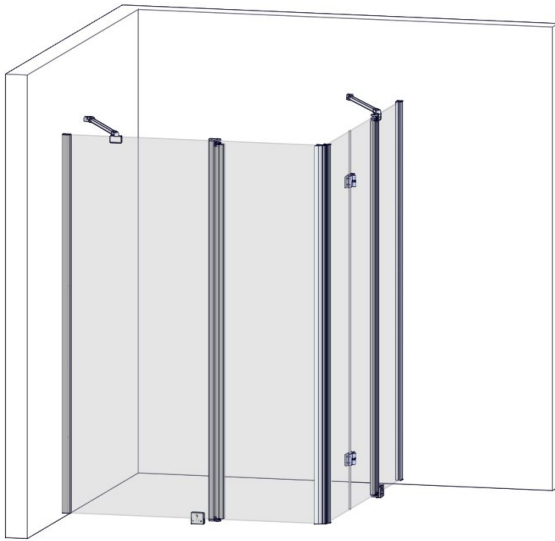
301 x 305



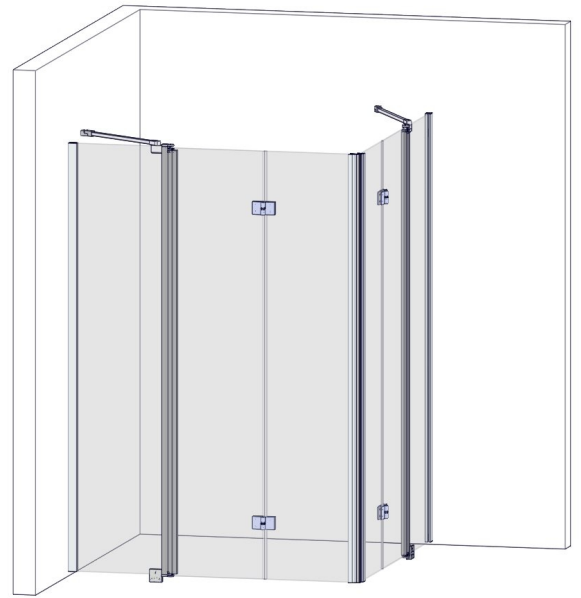
302 x 305



303 x 305

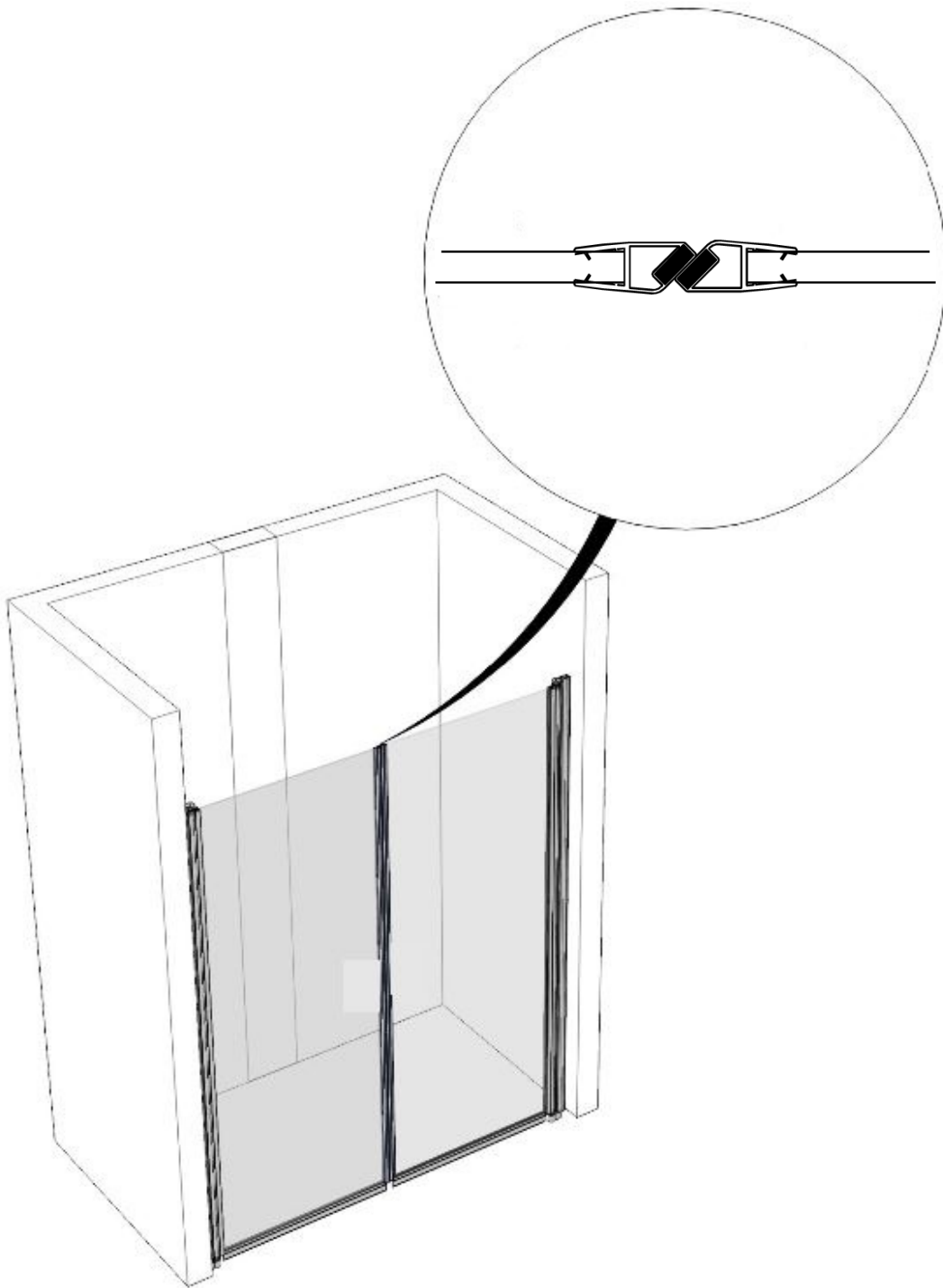


304 x 305



305 x 305

30X + 30X



| | 301/304/305 + 301/304/305 | 301/304/305 + 302/303 | 302/303 + 302/303 |
|--|---------------------------------|-----------------------------|-------------------------|
| | 0-40 mm | 0-35 mm | 0-30 mm |
| | 34-74 mm | 34-69 mm | 34-64 mm |
| | 68-108 mm | 68-103 mm | 68-98 mm |