

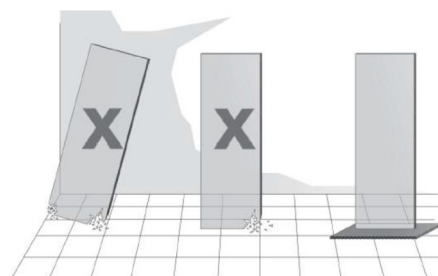
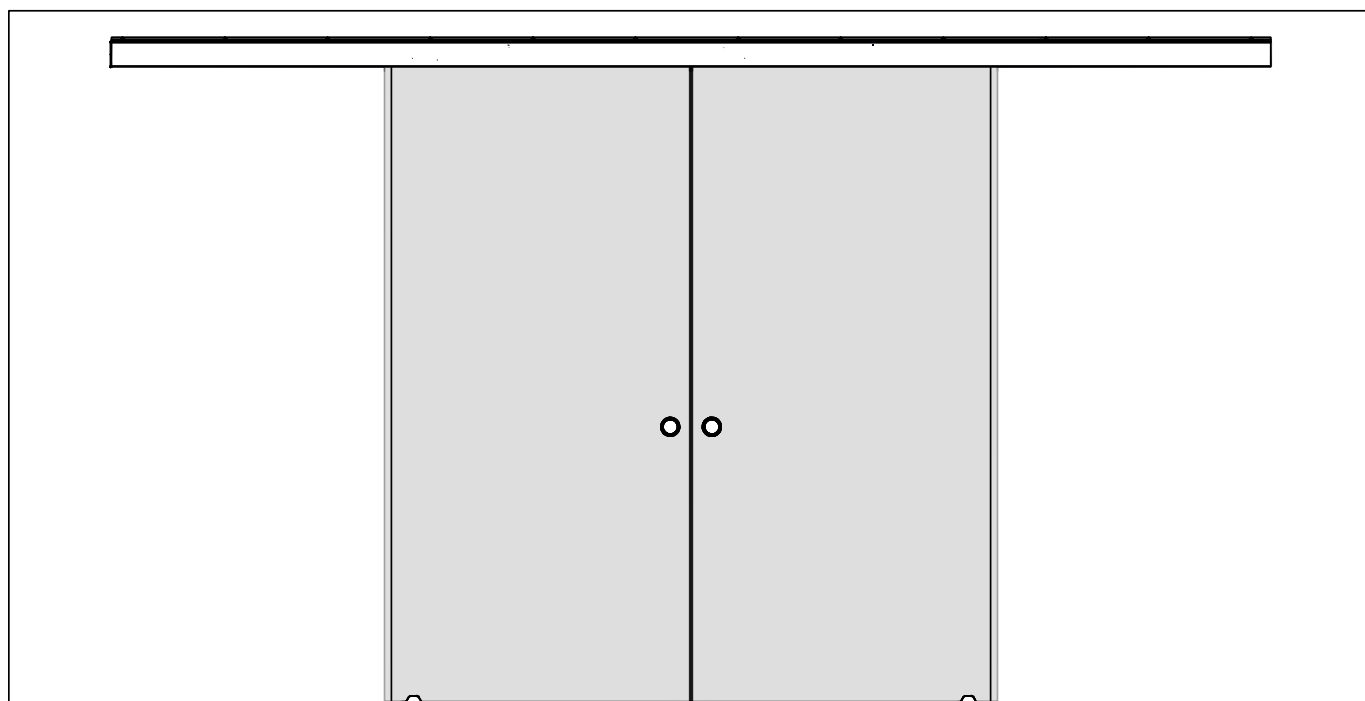


HIETAKARI®

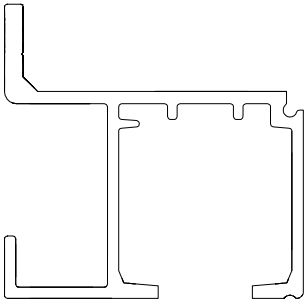


8/25 9IRLM

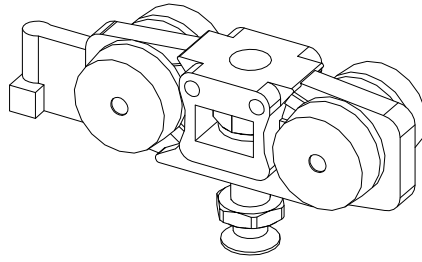
615W



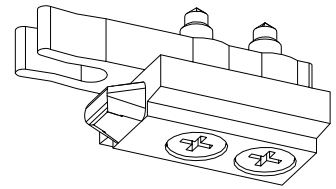
Parts



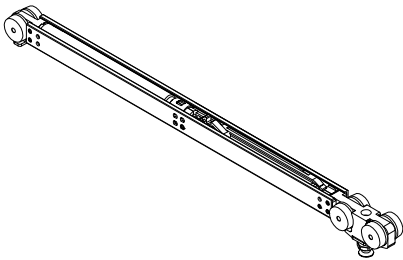
1. x1



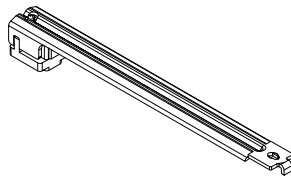
2. A x2
B x0



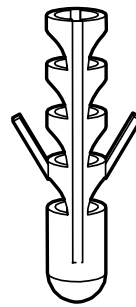
3. A x2
B x0



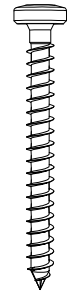
4. A x2
B x4



5. A x2
B x4

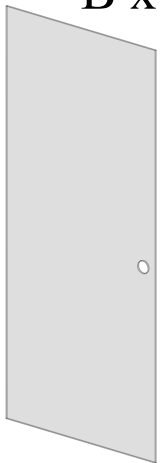


4/83 13RLM

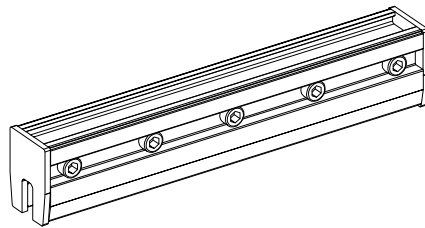


4/83 11RLM

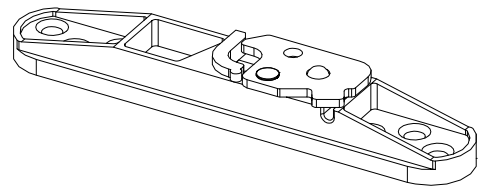
6. 6x30 mm x17
7. 3.5x39 mm x17



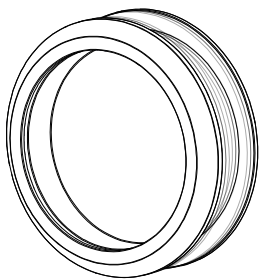
8. x2



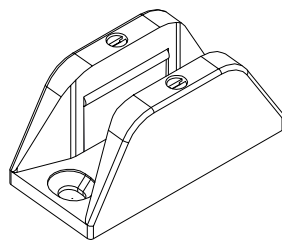
9. x4



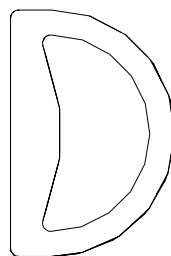
10. x4



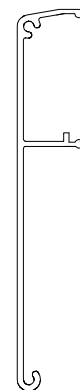
11. x2



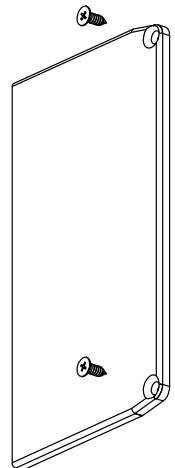
12. x2



13. x2

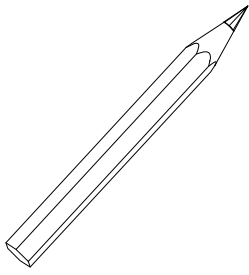


14. x1

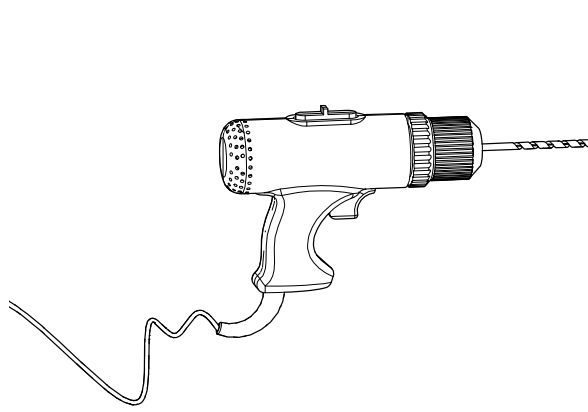


15. x2

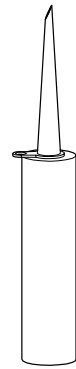
Tools



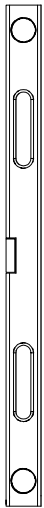
A



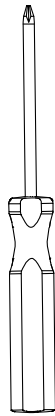
Ø6 mm
B



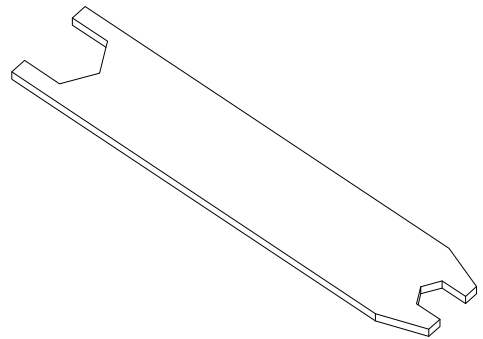
C – Silicone
D – Glue



E

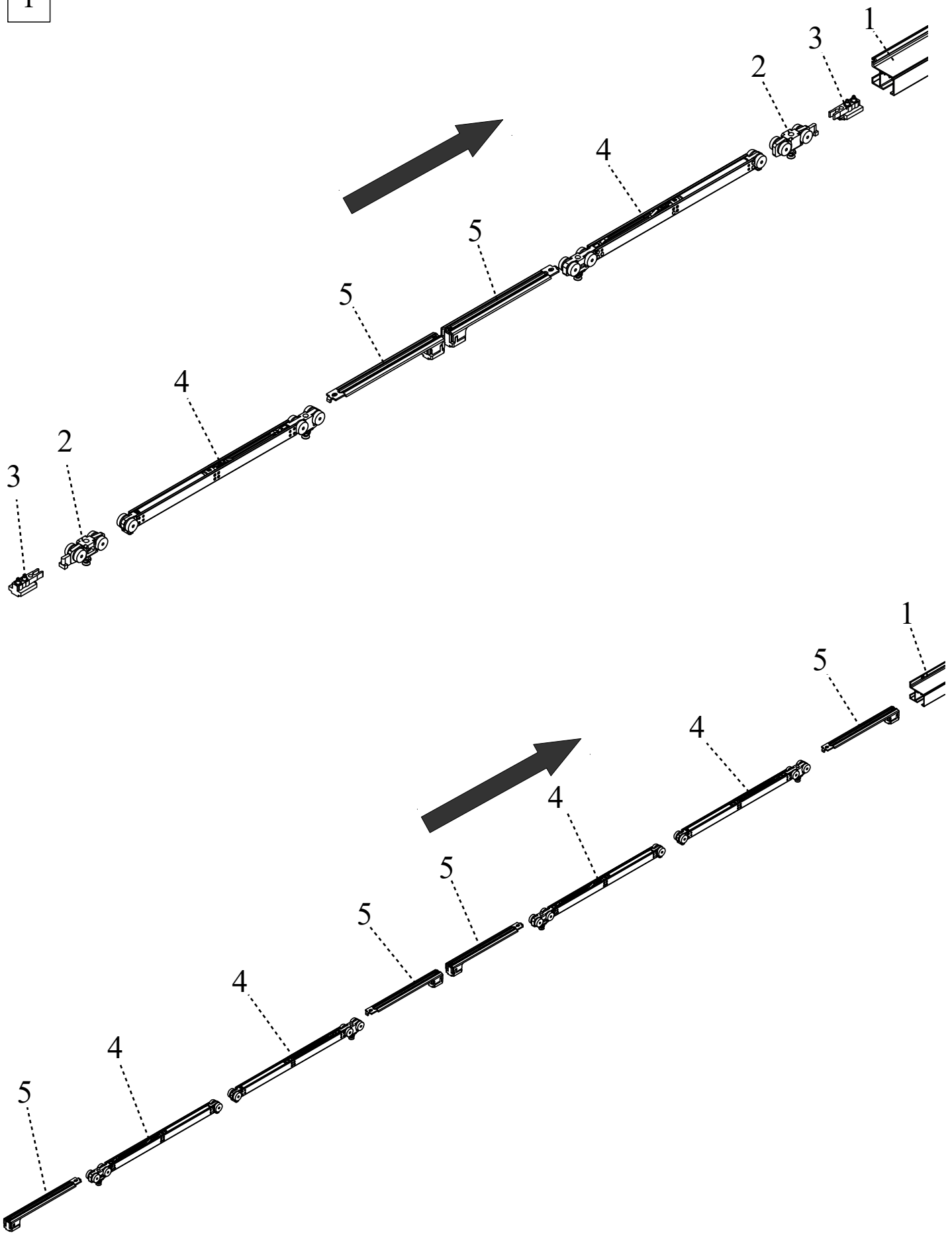


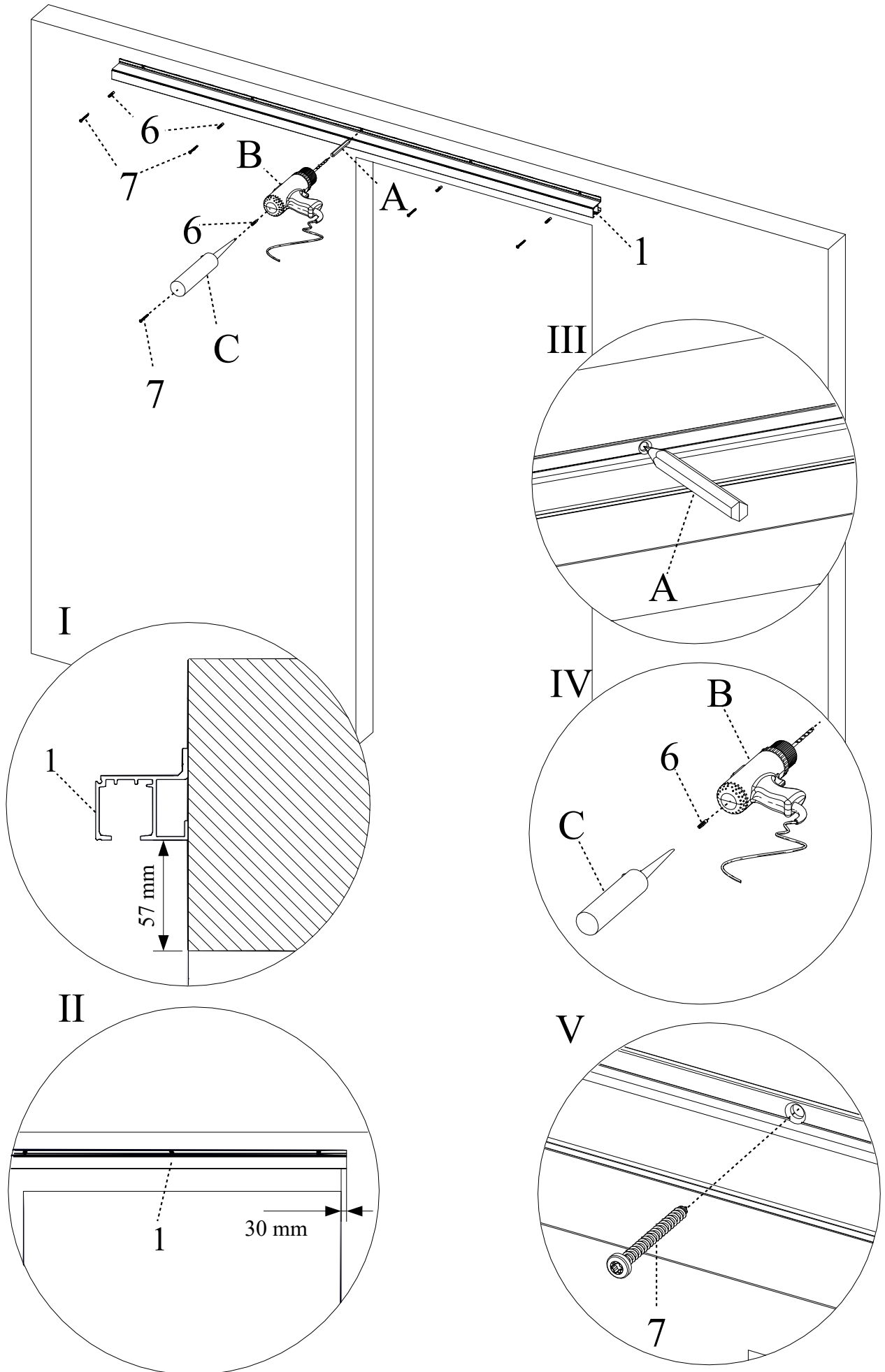
F



G

1



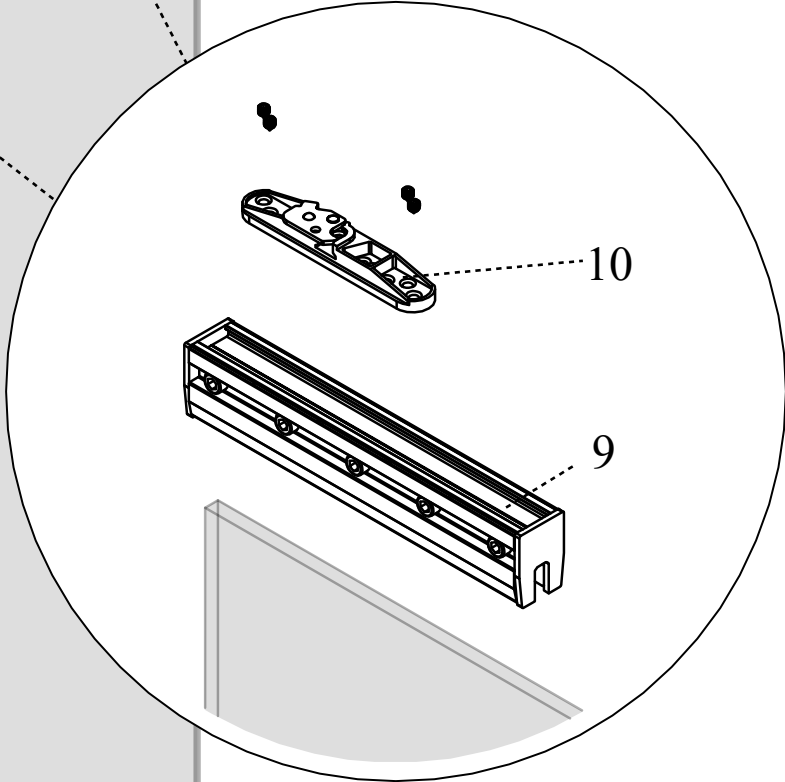
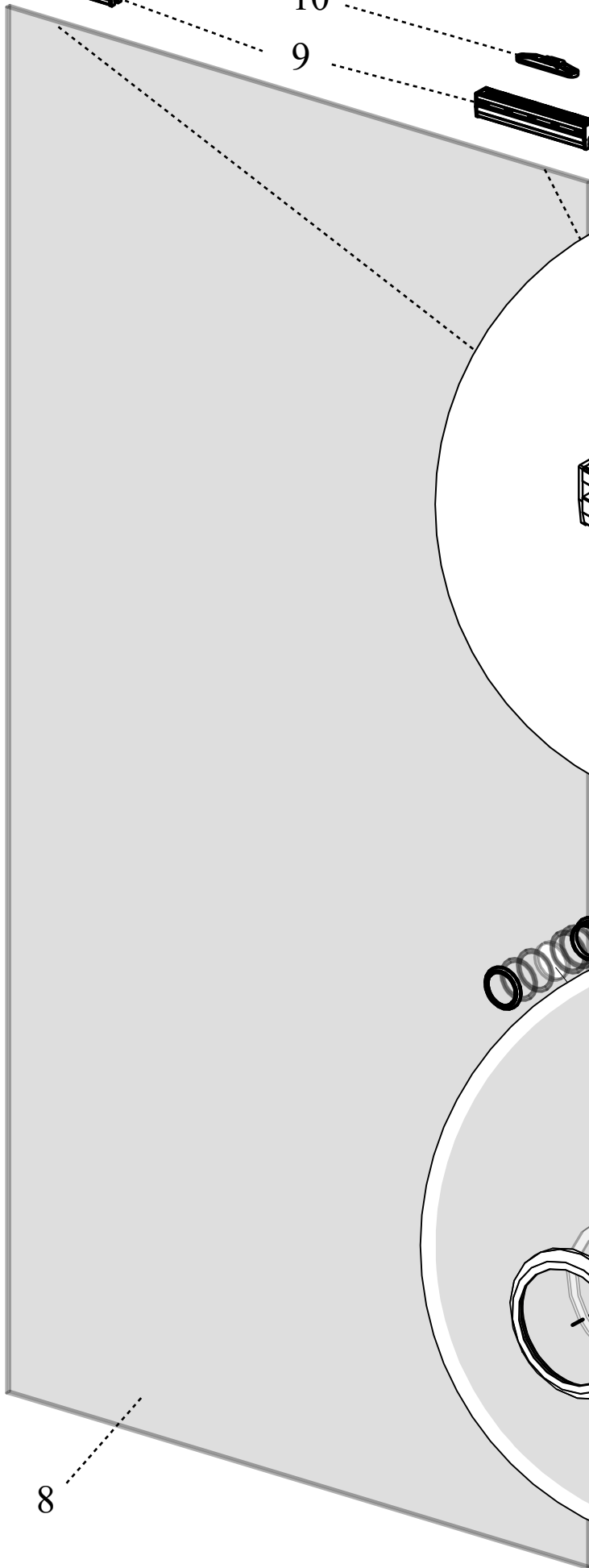


3



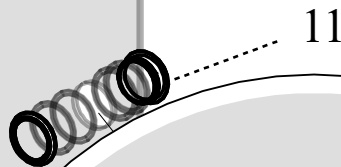
10

9

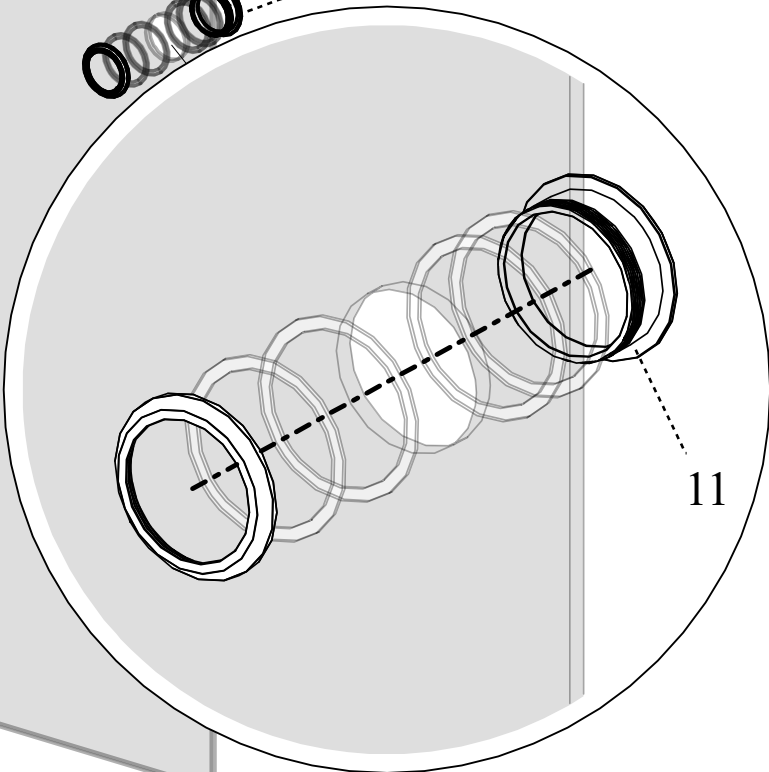


10

9



11

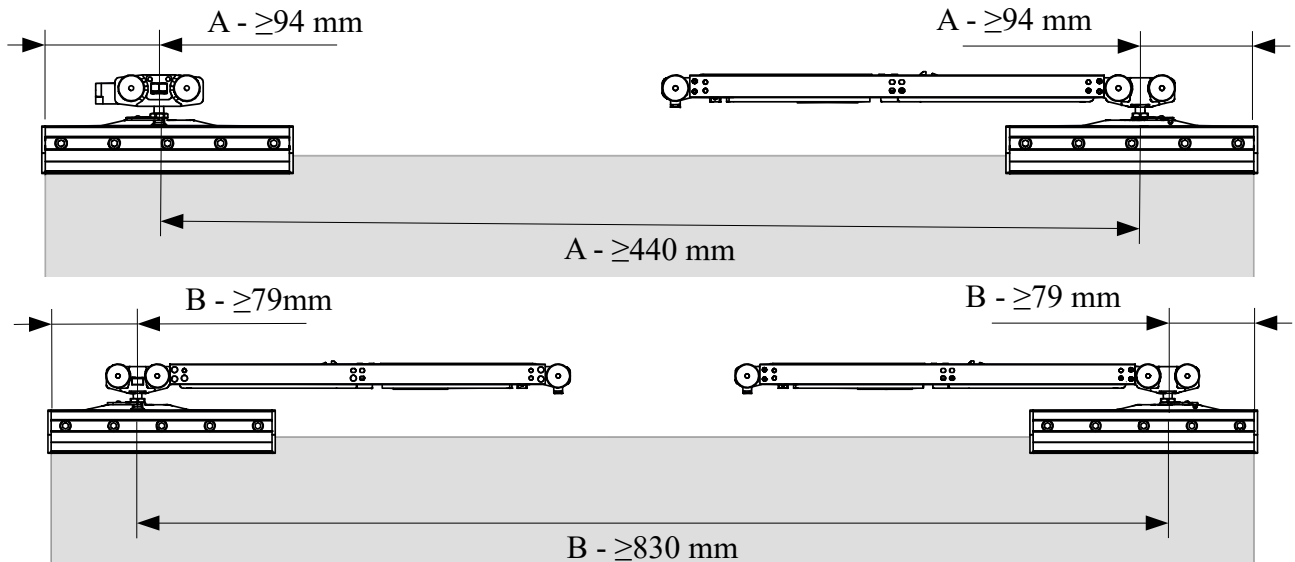
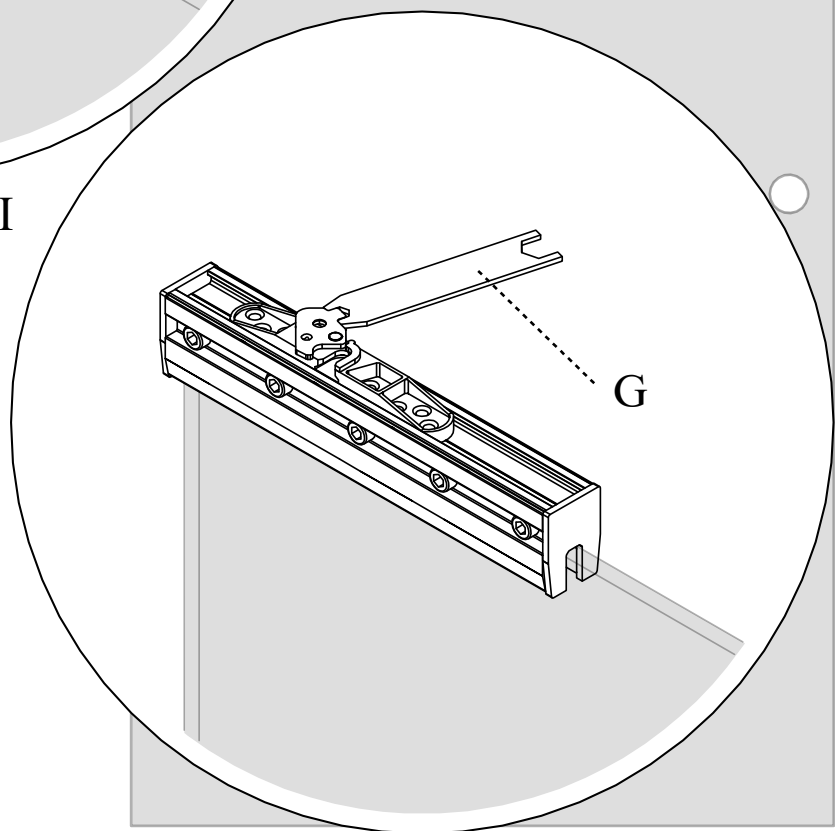
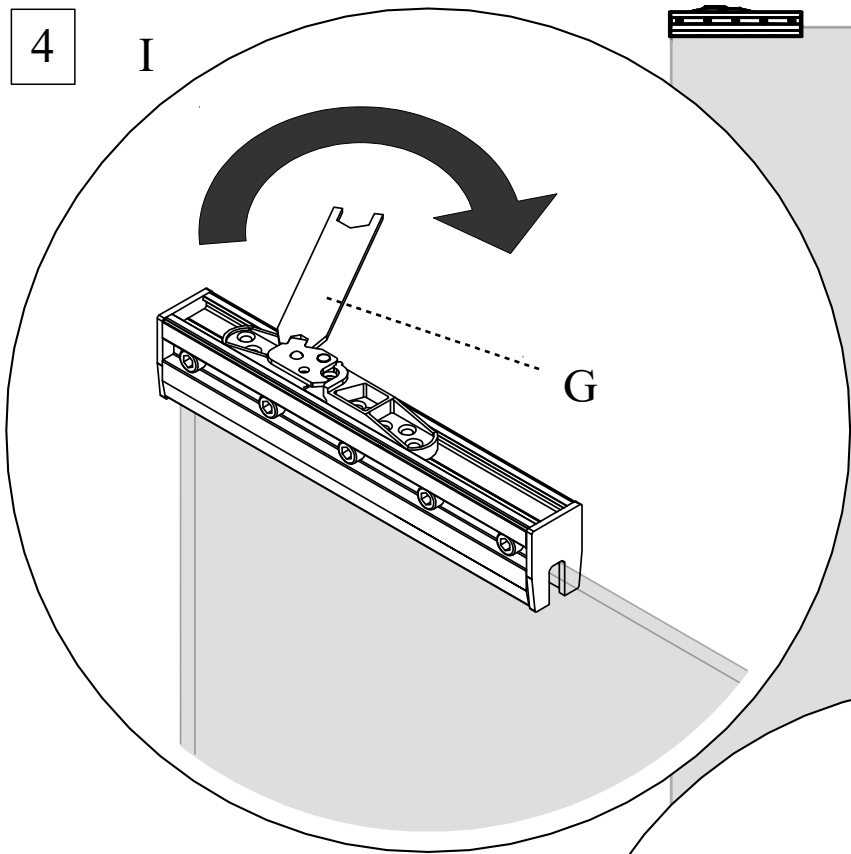


11

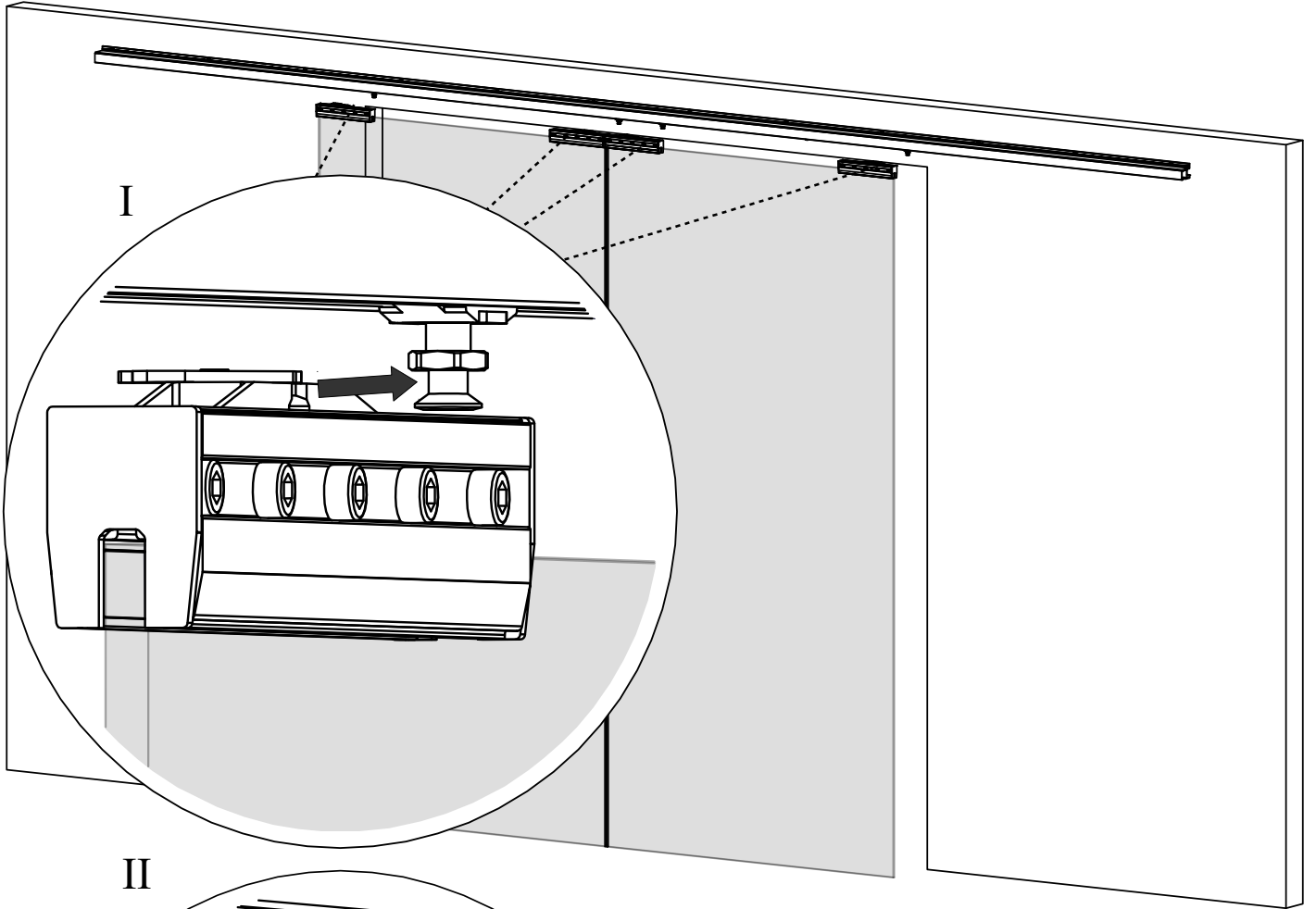
8

6

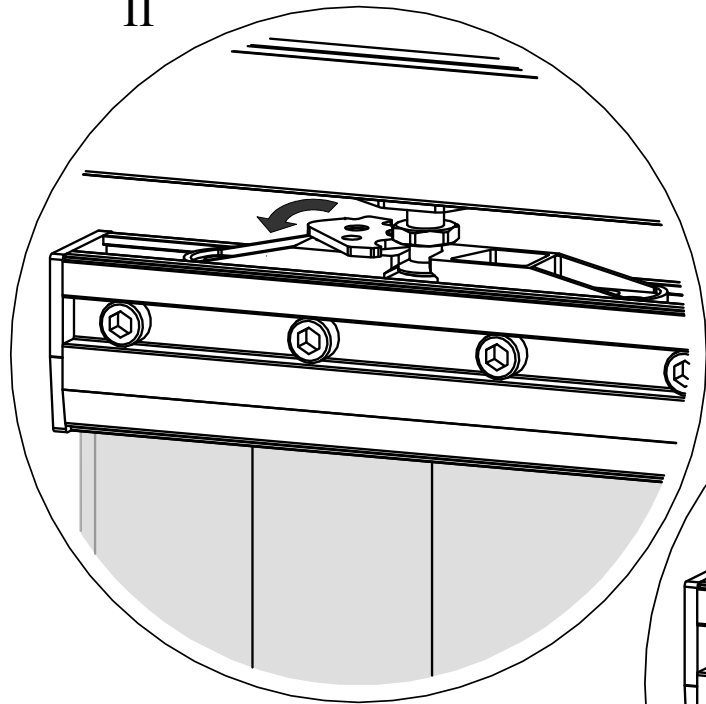
4



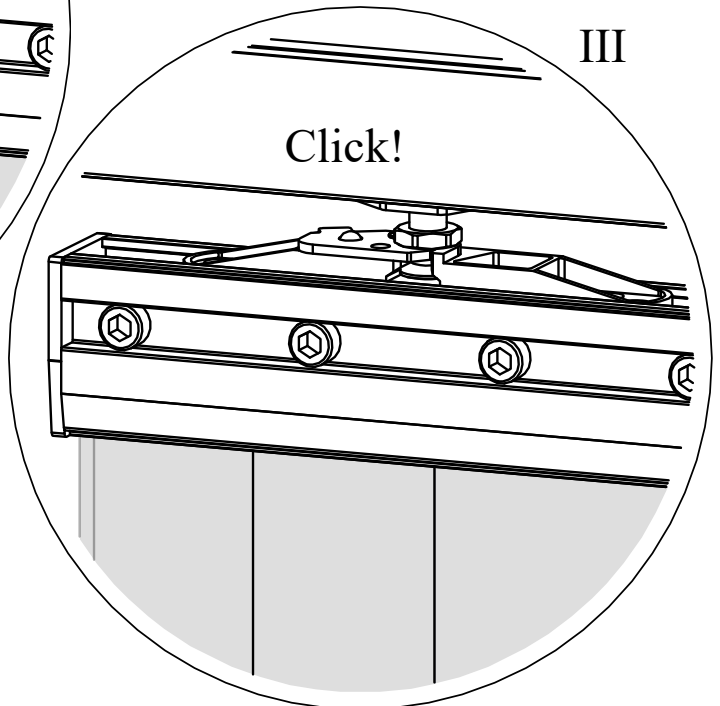
5



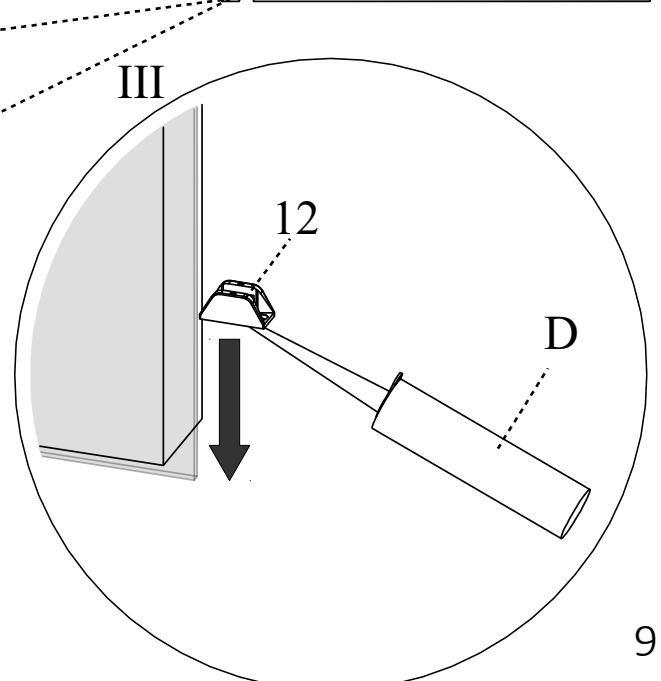
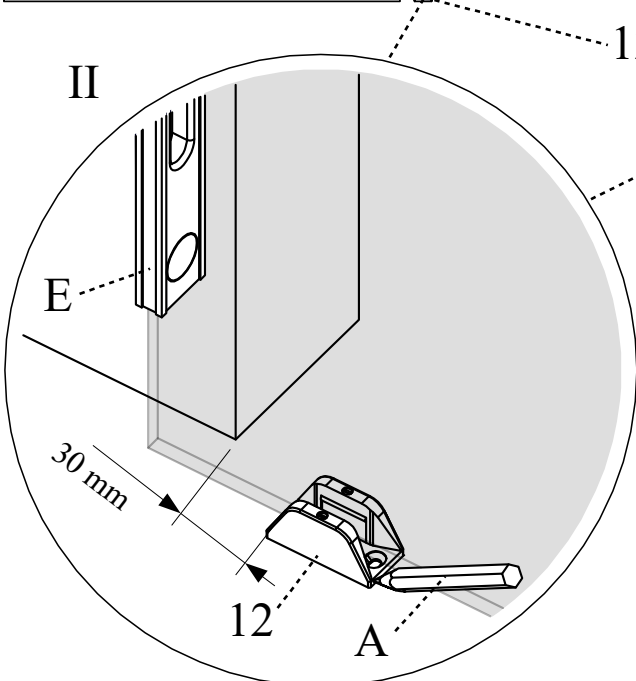
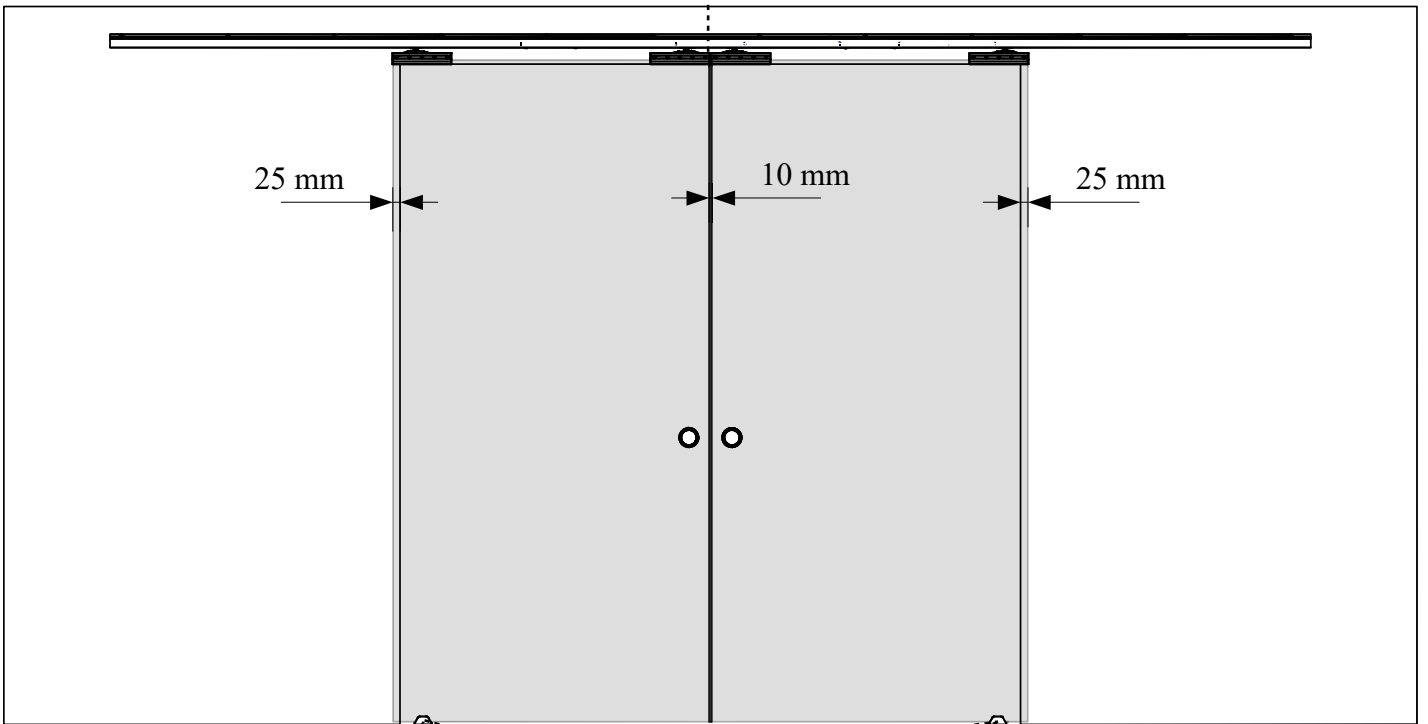
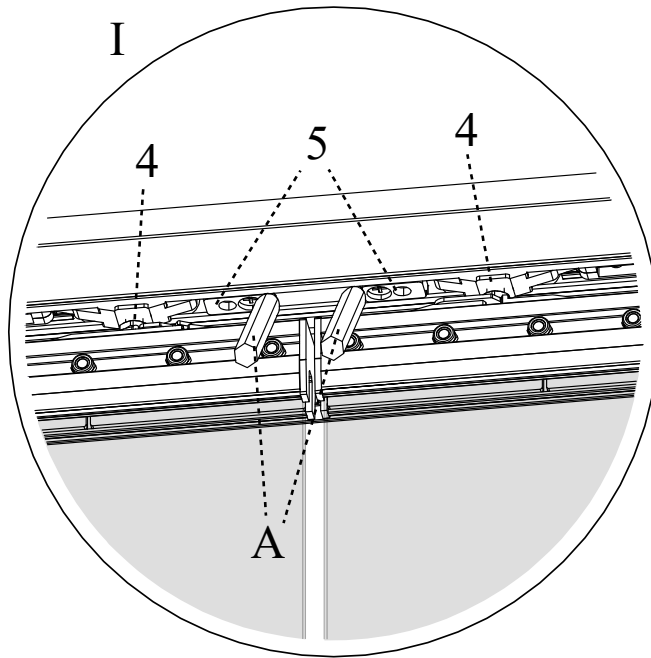
II



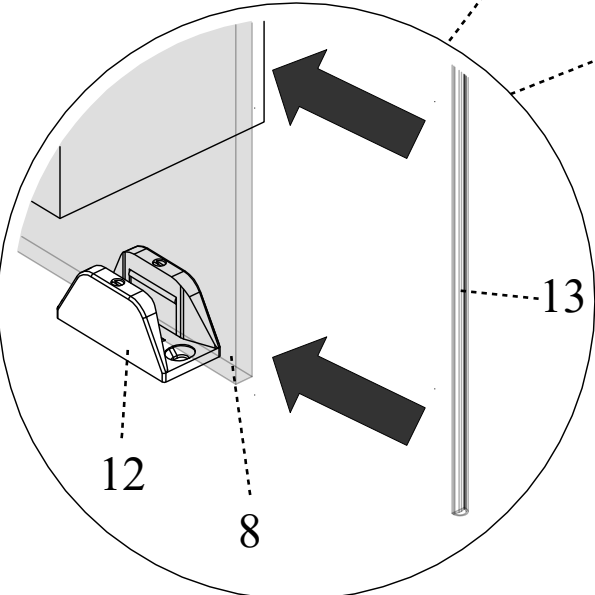
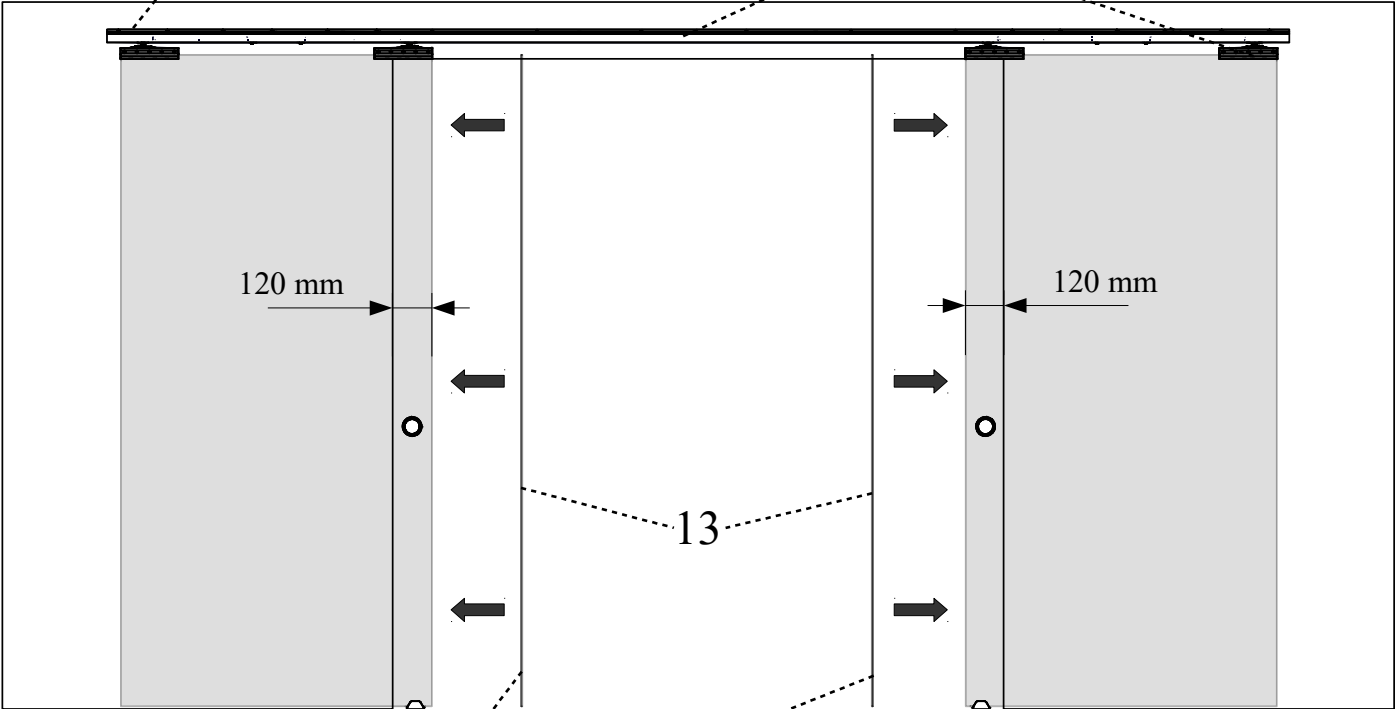
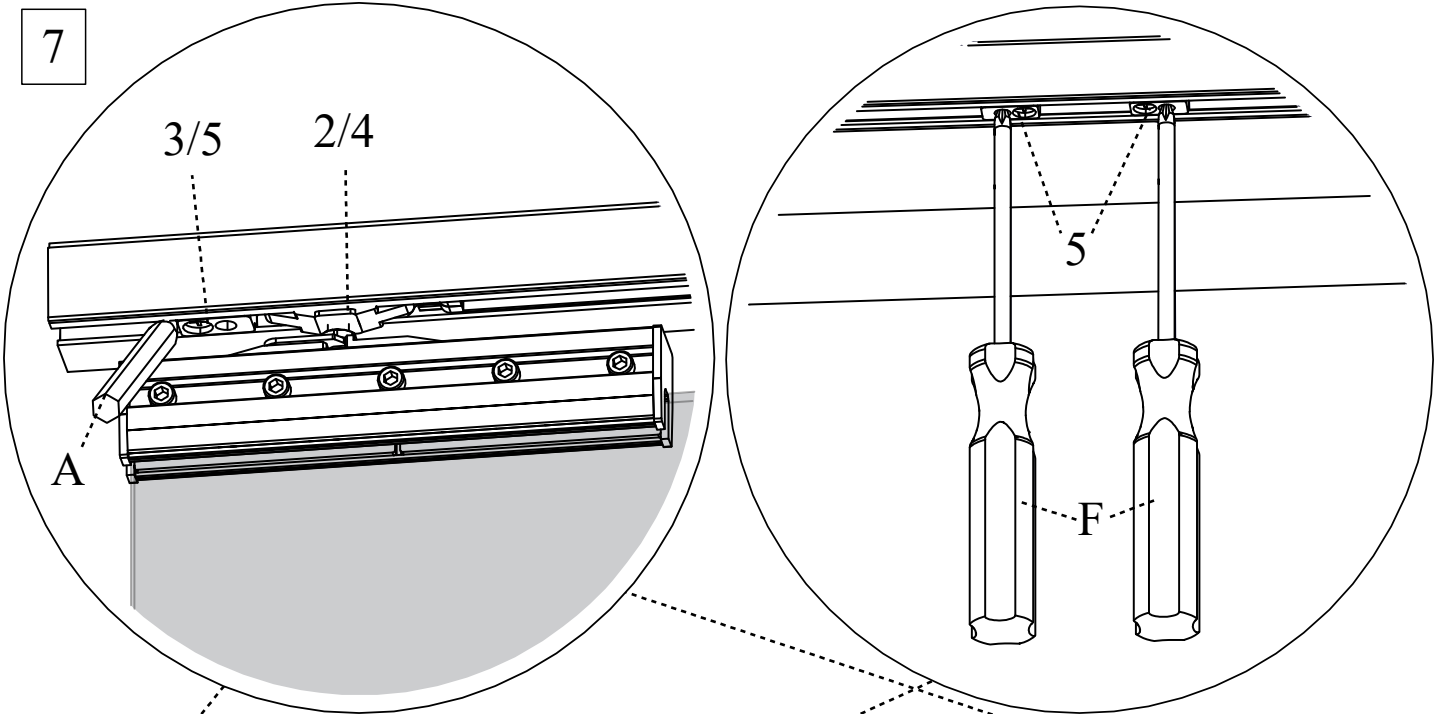
III



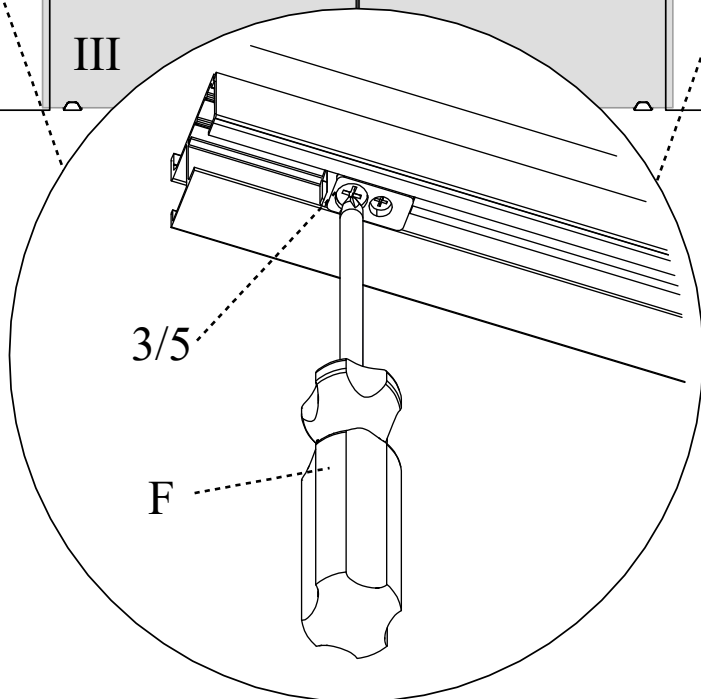
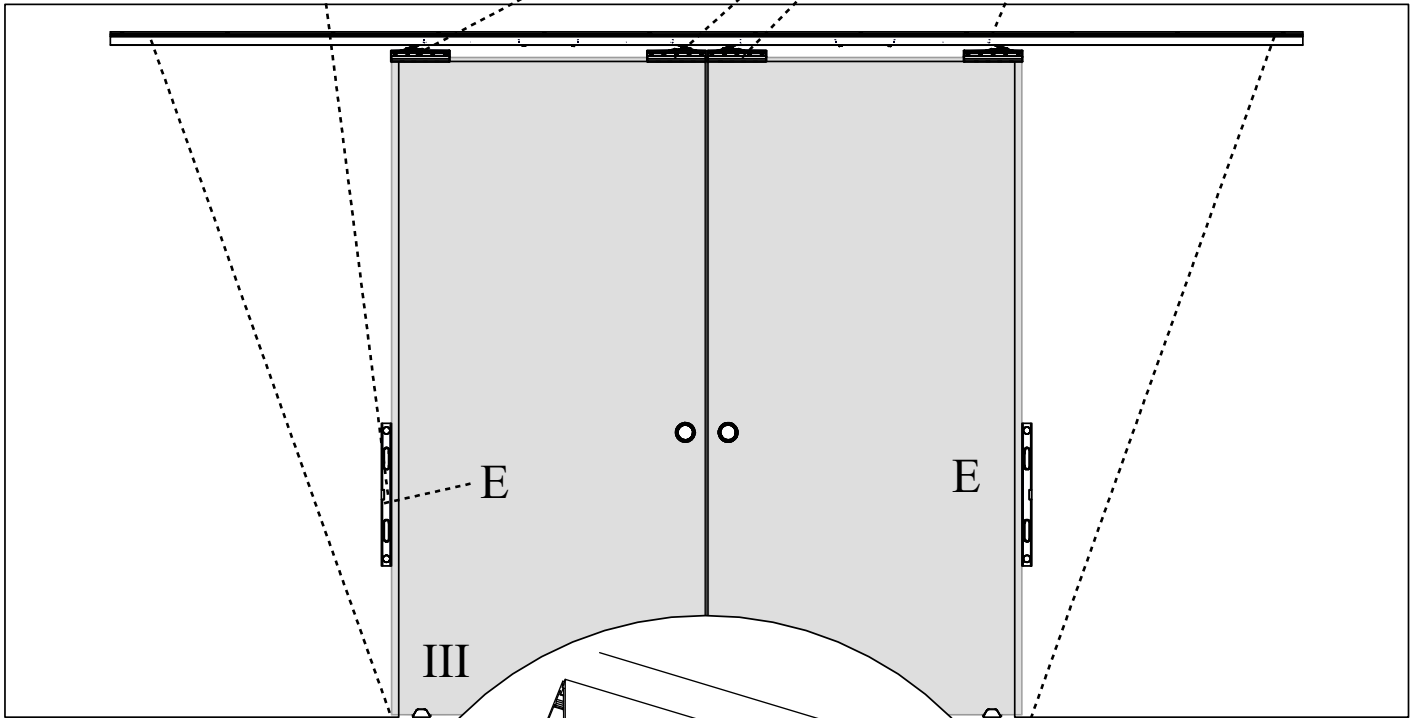
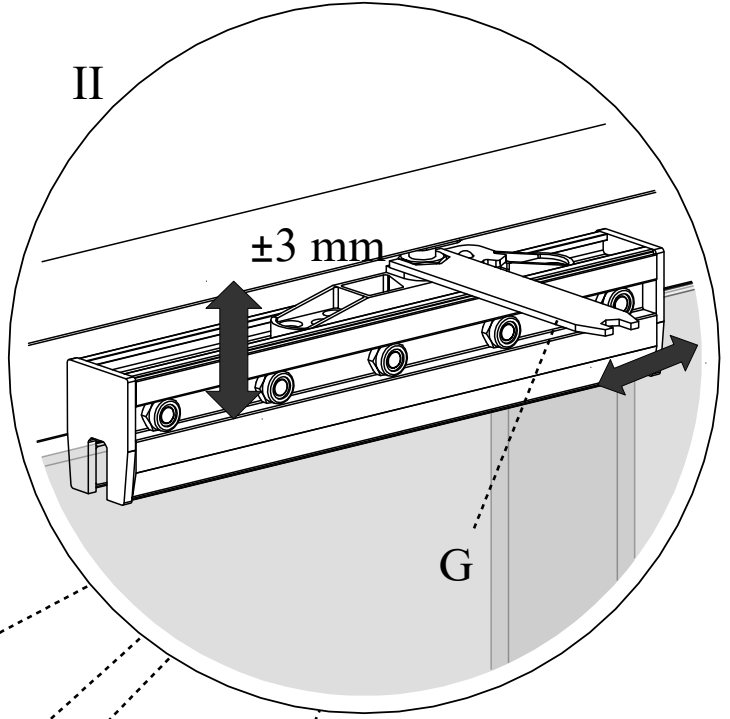
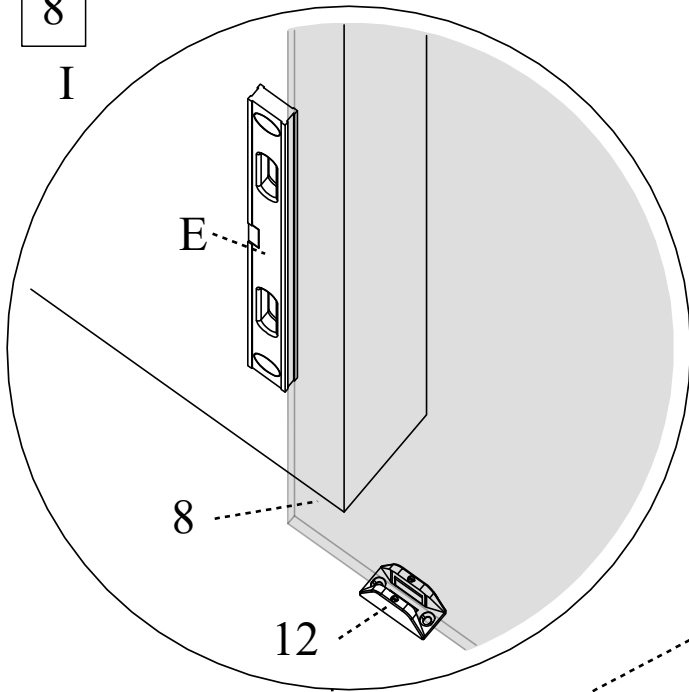
6



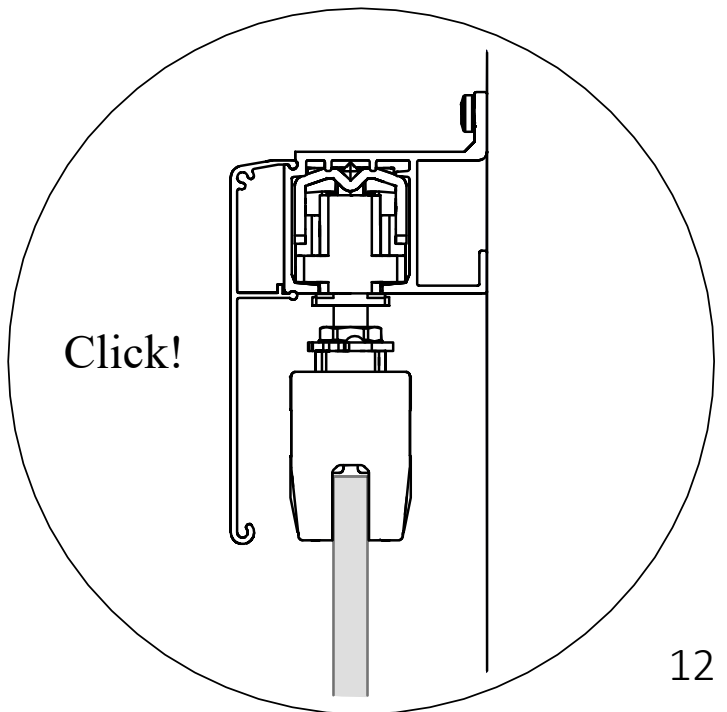
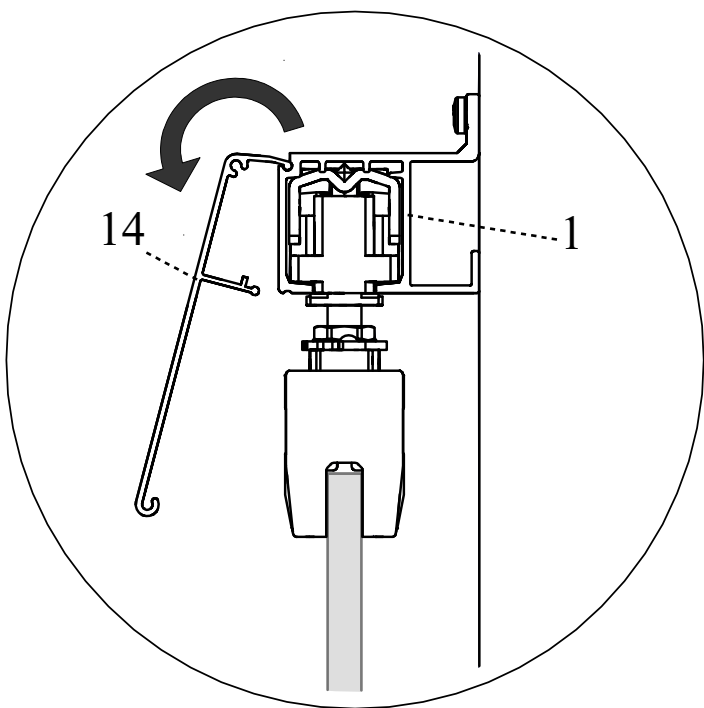
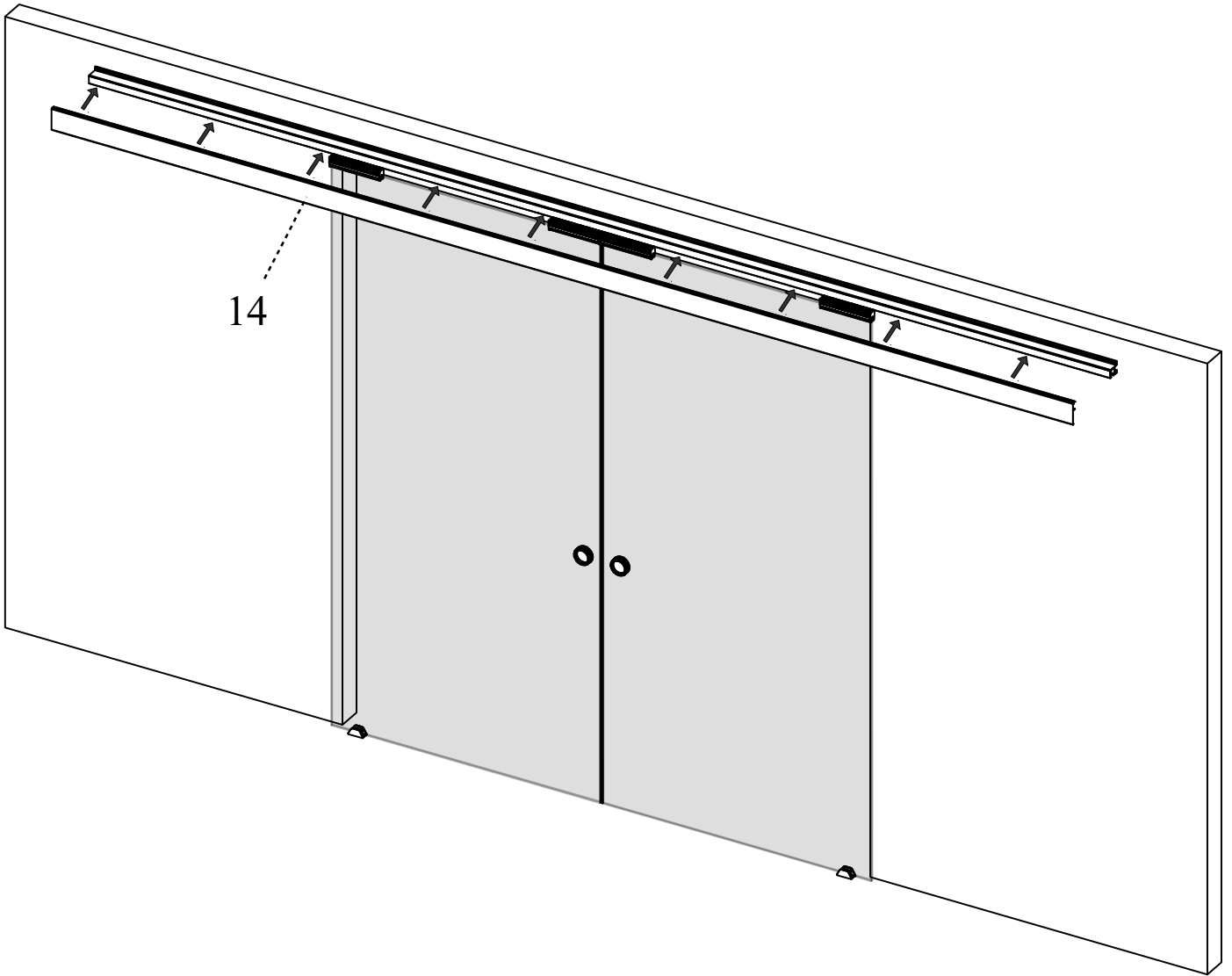
7



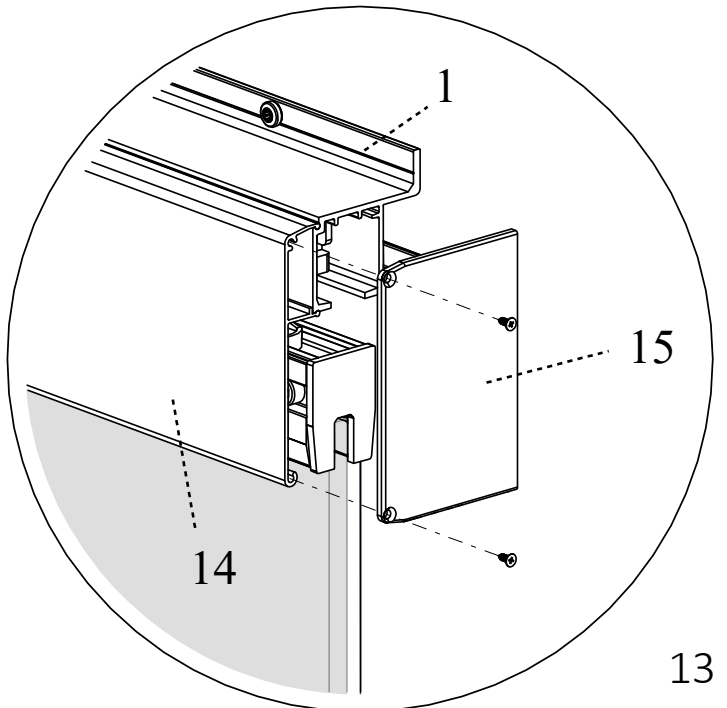
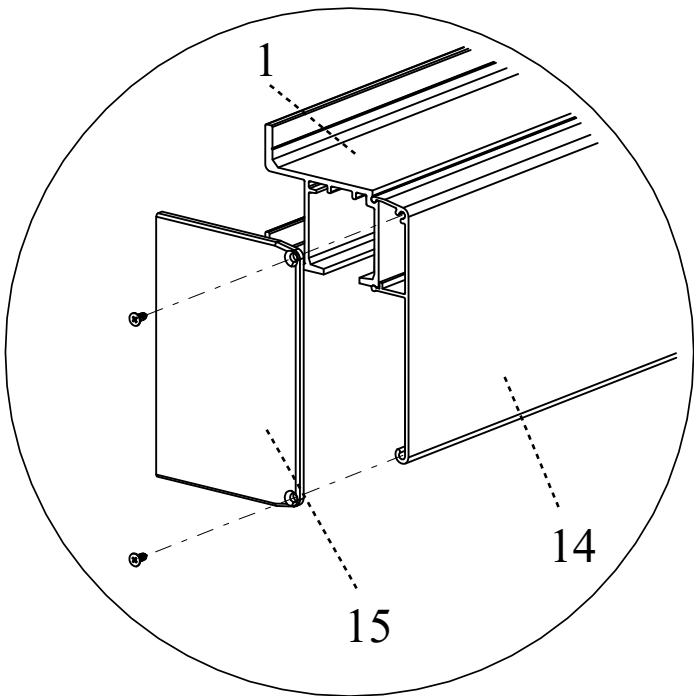
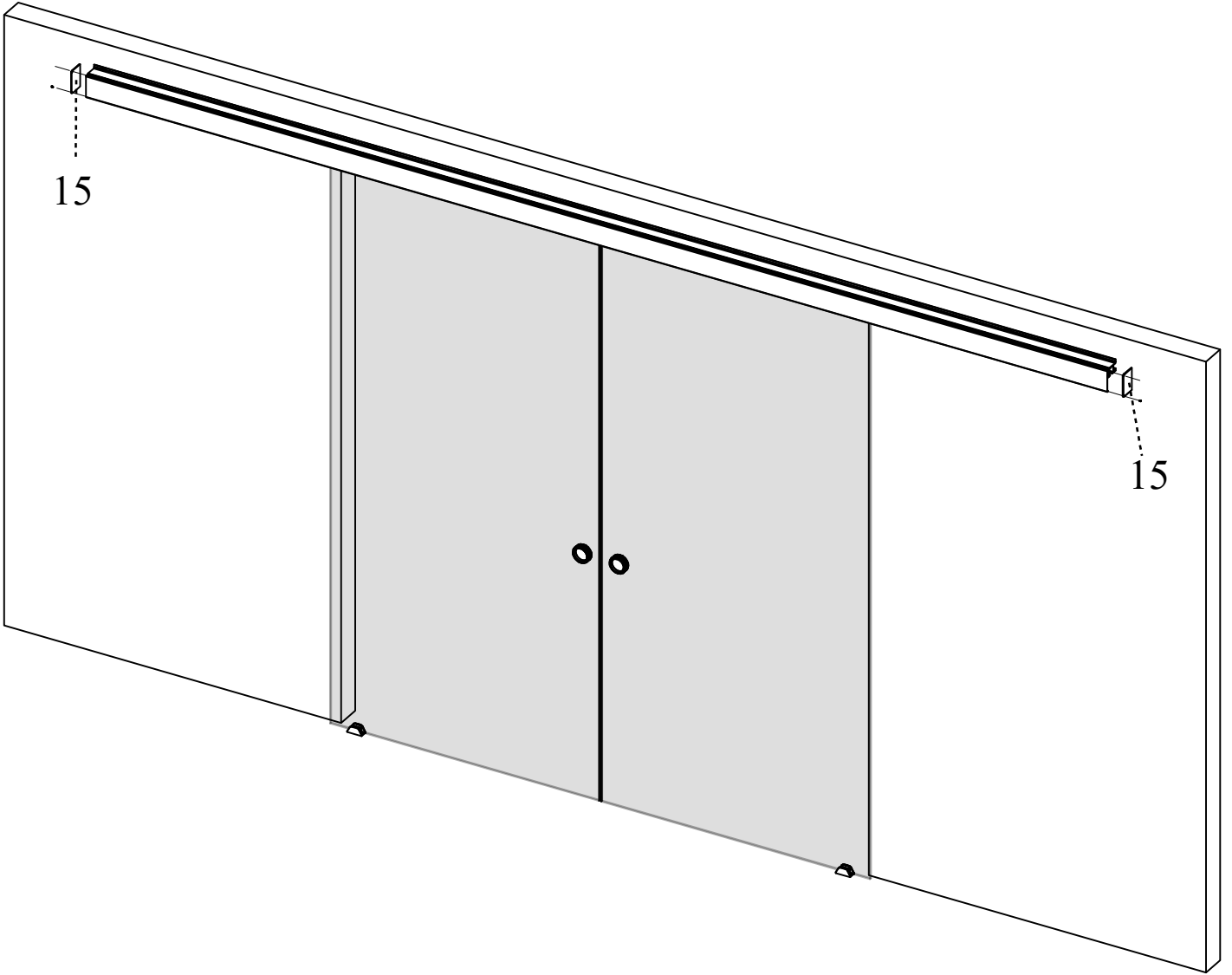
8



9



10



13