

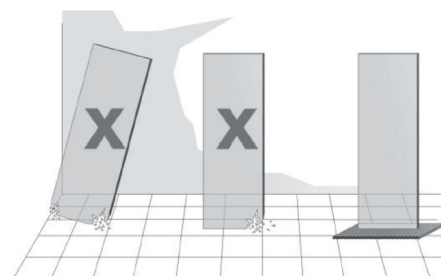
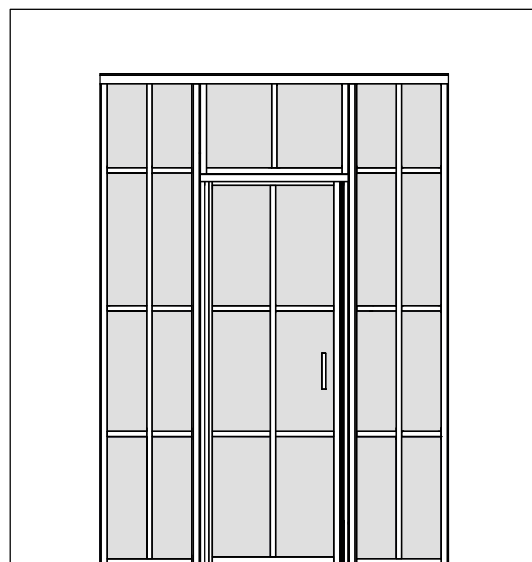
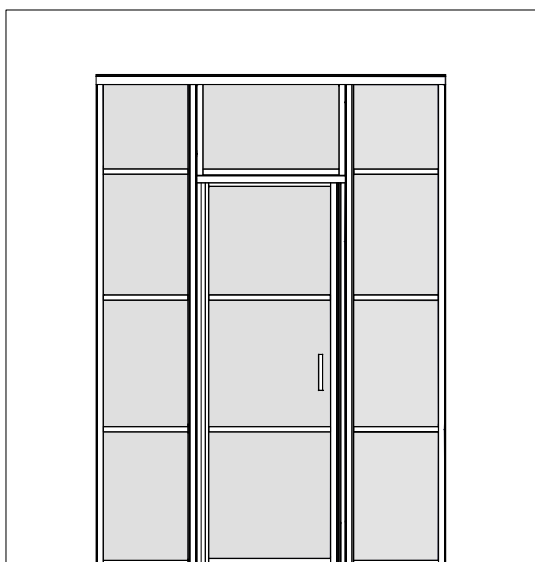
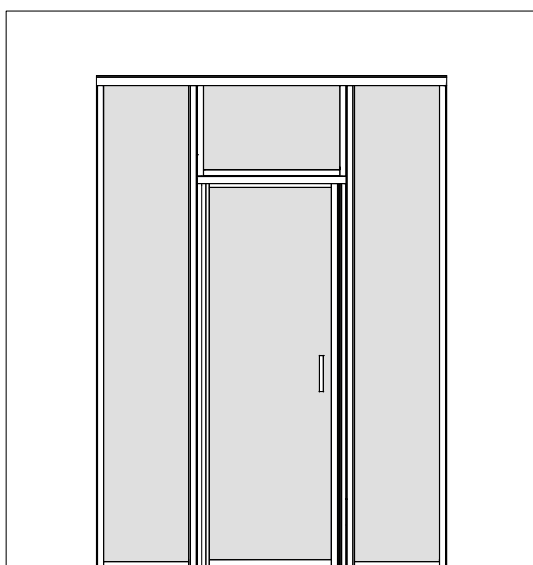


HIETAKARI®

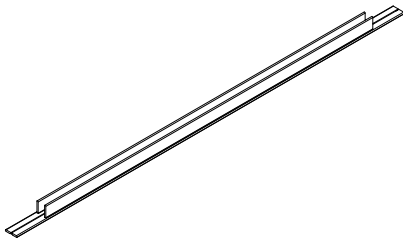


8/25 6CRLM

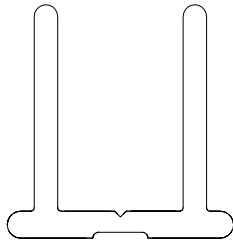
724 / 725 / 726



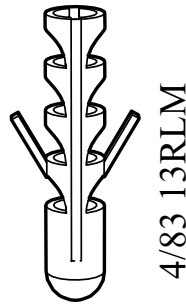
Parts



1. x2



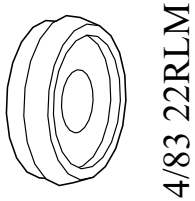
2. x2



3. 6x30 mm
x26



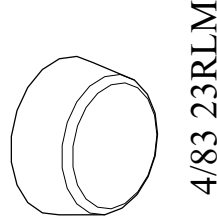
4. 4.5x45 mm
x26



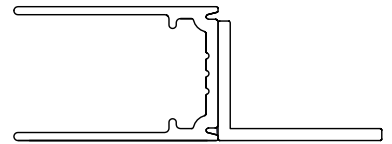
5. x46



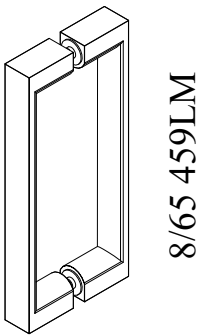
6. 4.2x13 mm
x46



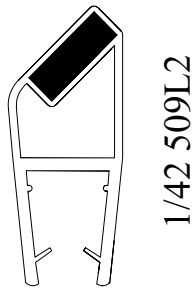
7. x46



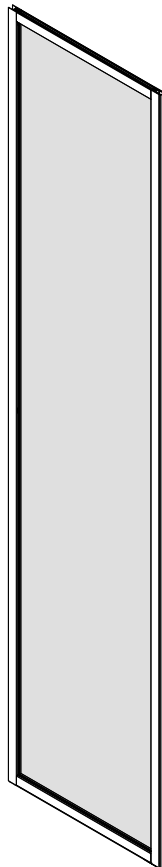
8. x2



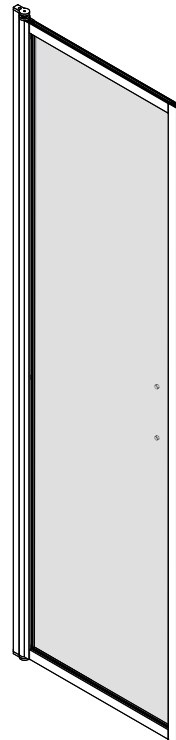
9. x1



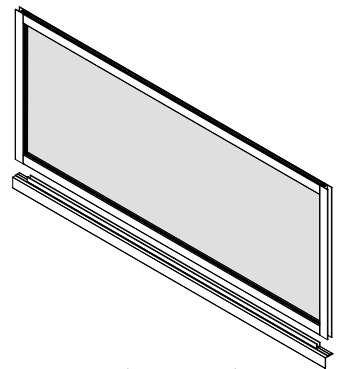
10. x2



13. x2



14. x1

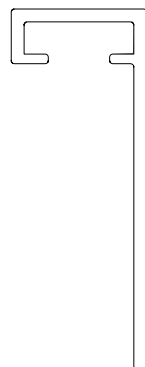


15. x1

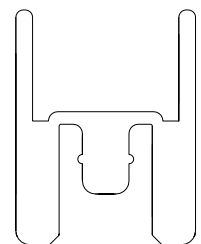


11. x2

1/42 T1RLM

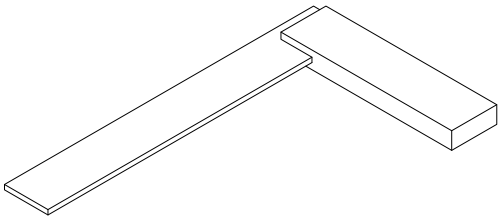


12. x2

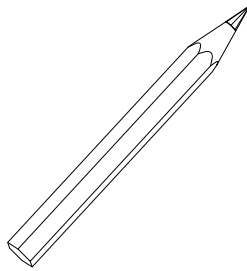


16. x1

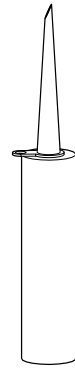
Tools



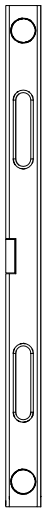
A



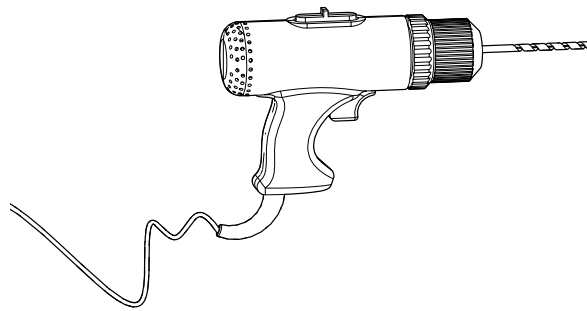
B



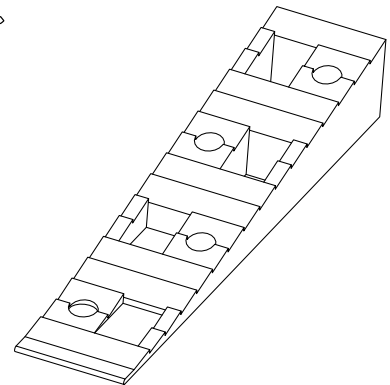
C – Glue
D – Silicone



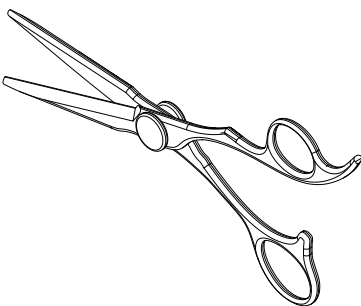
E



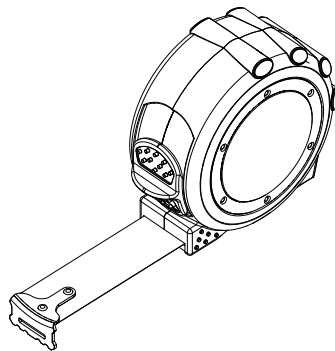
Ø6 mm
F



G

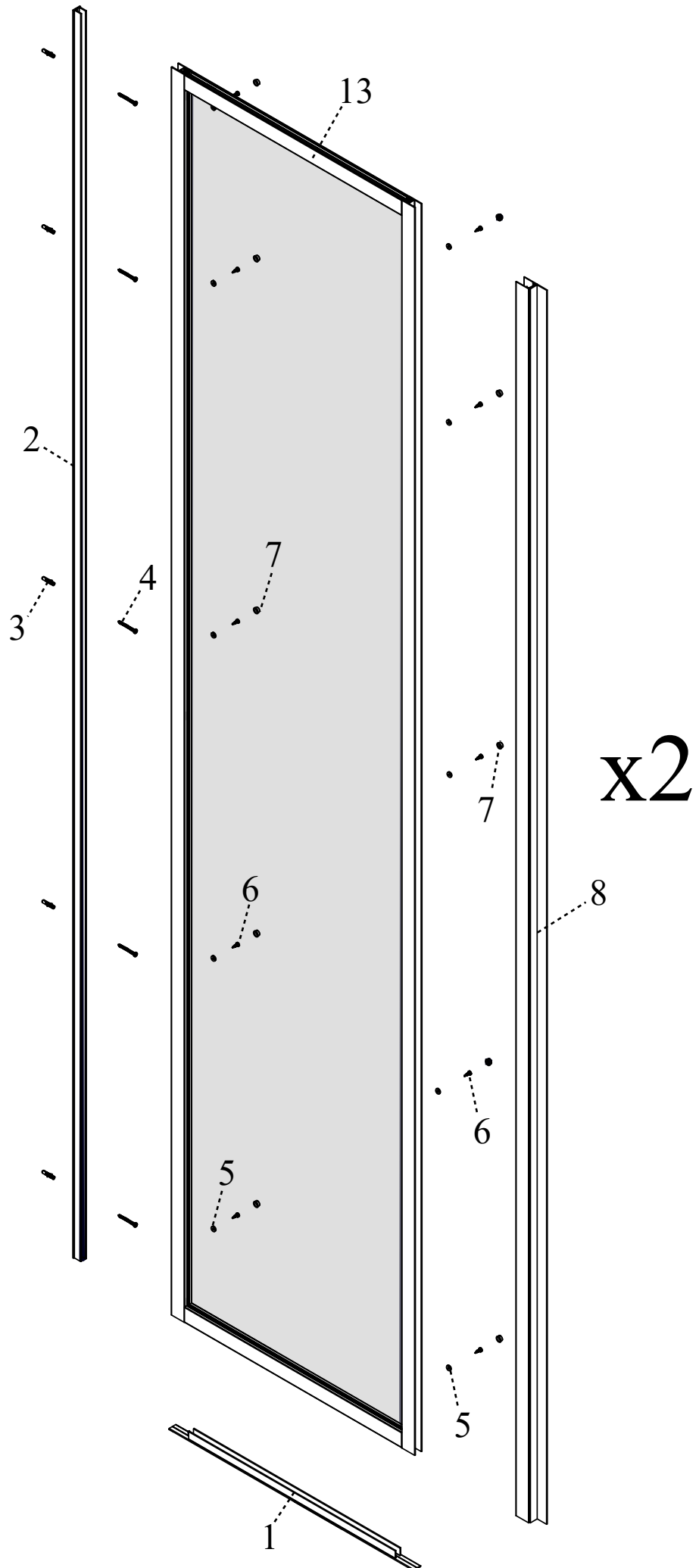


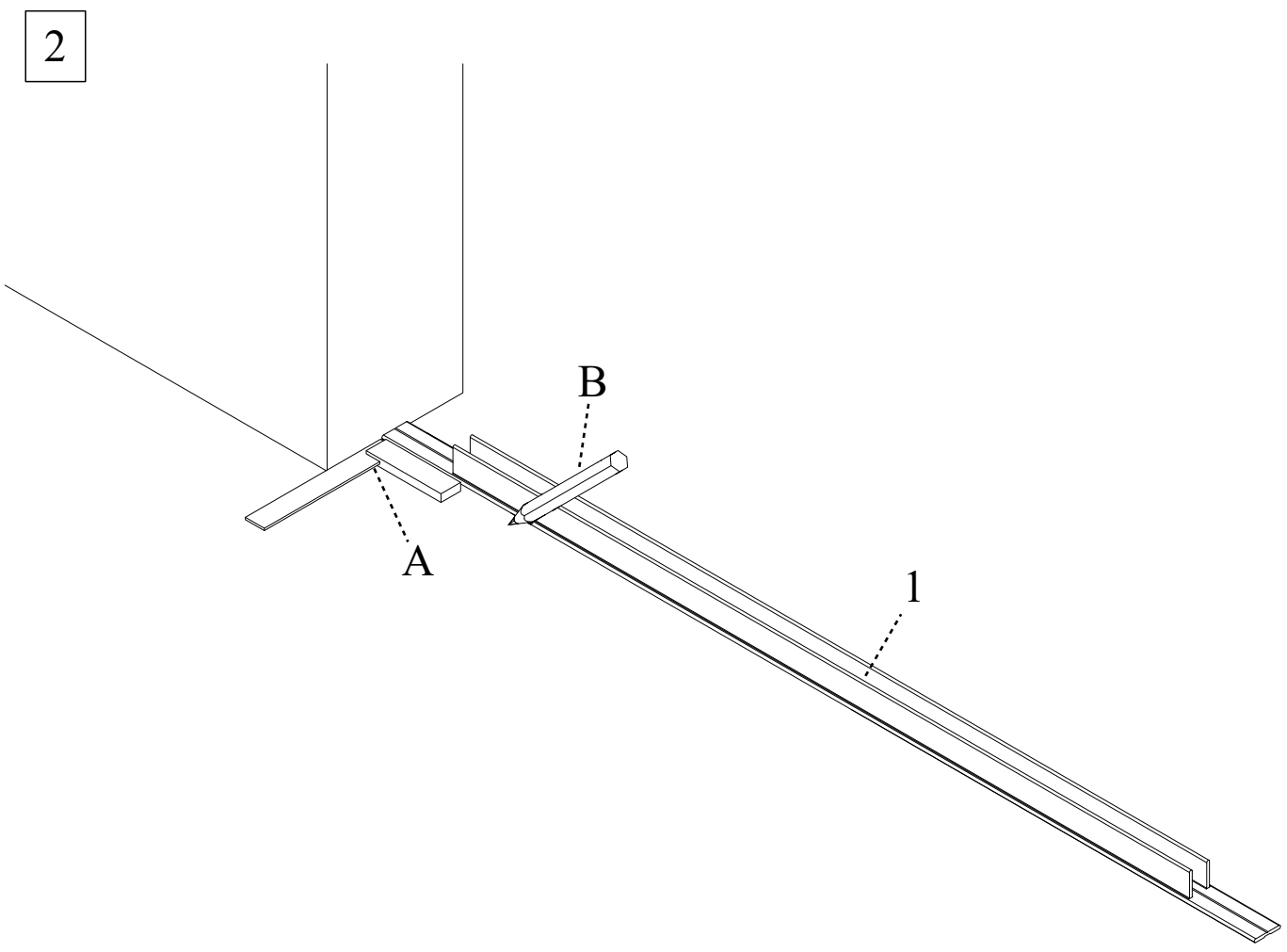
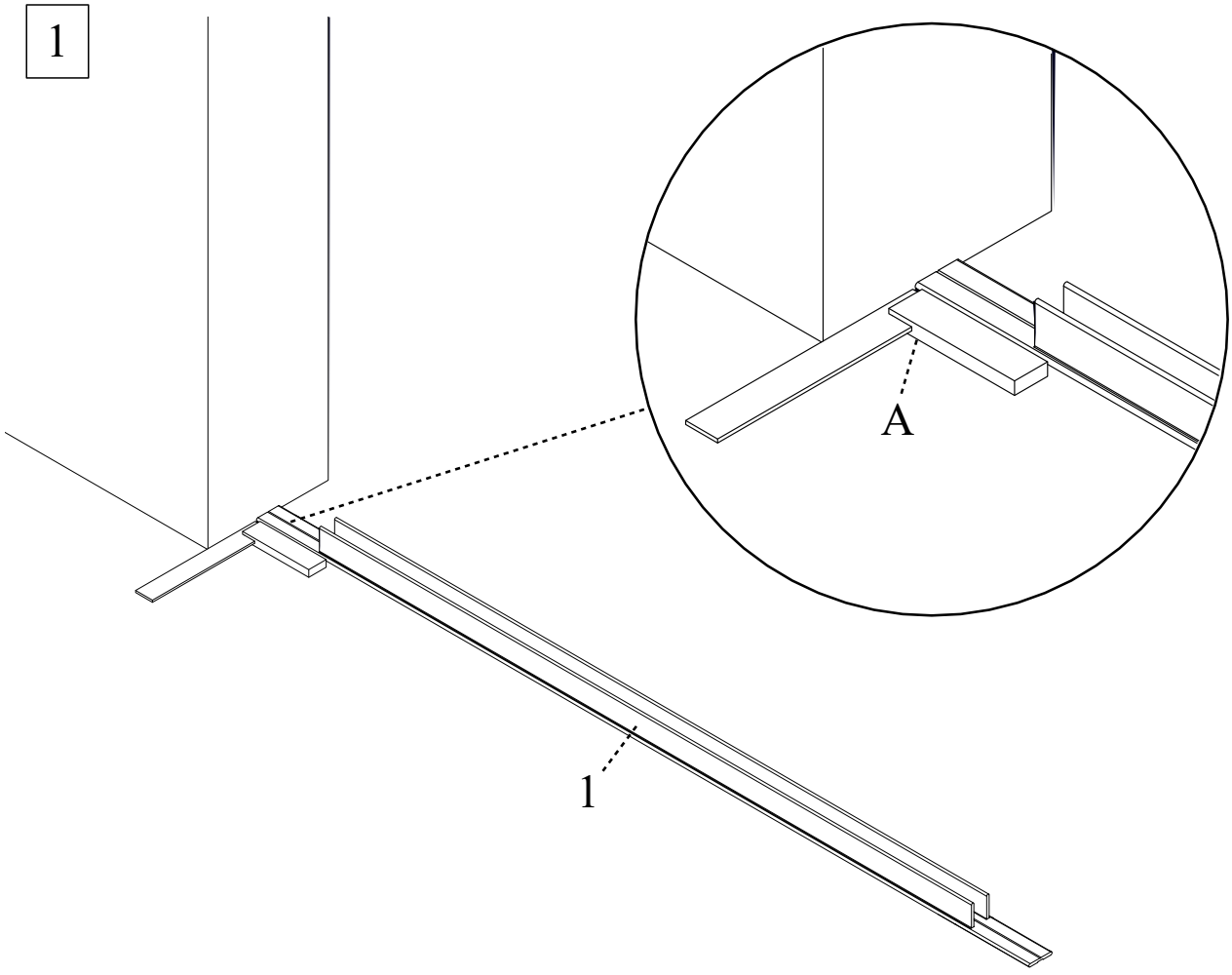
H



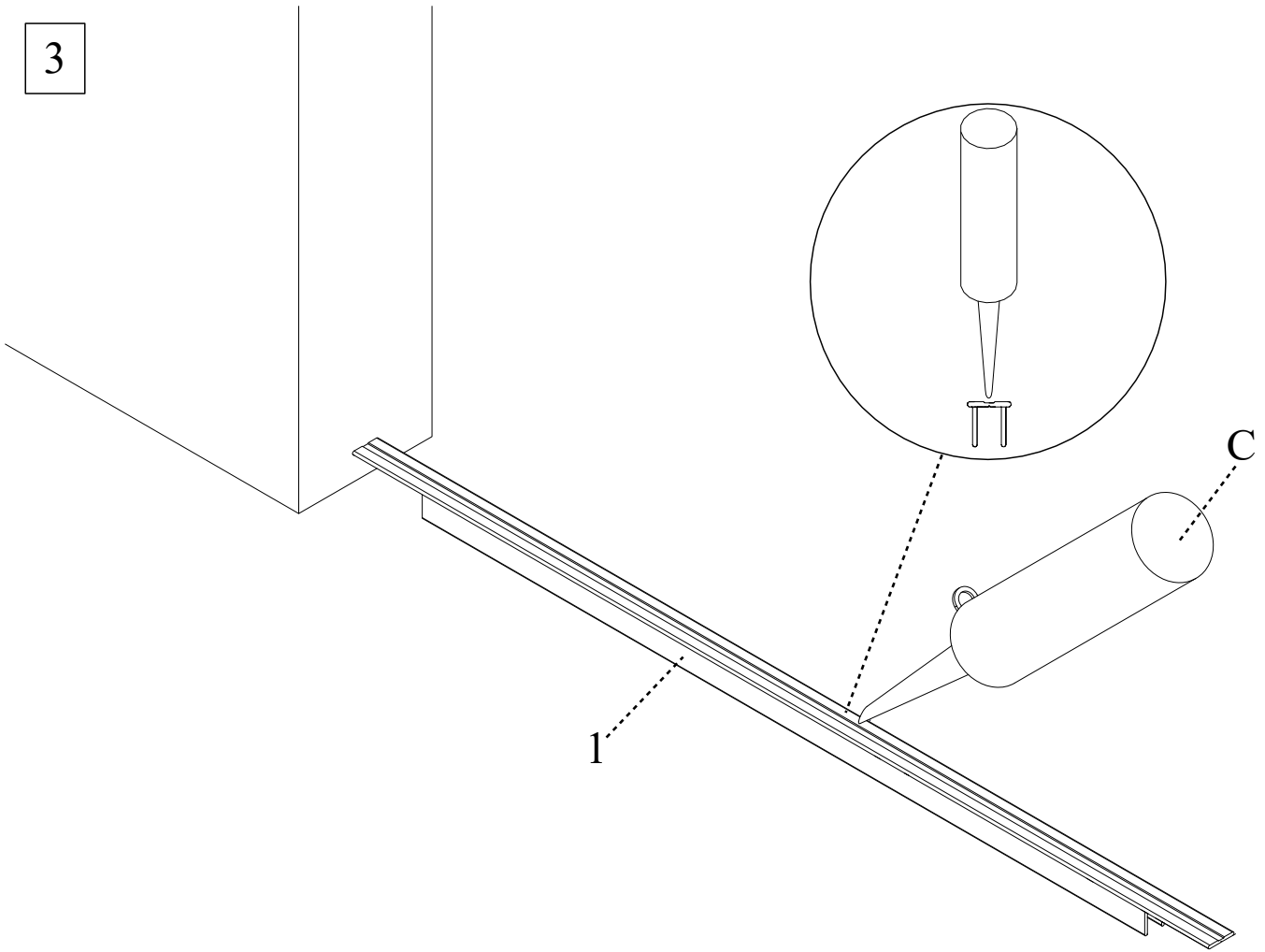
I

1/3

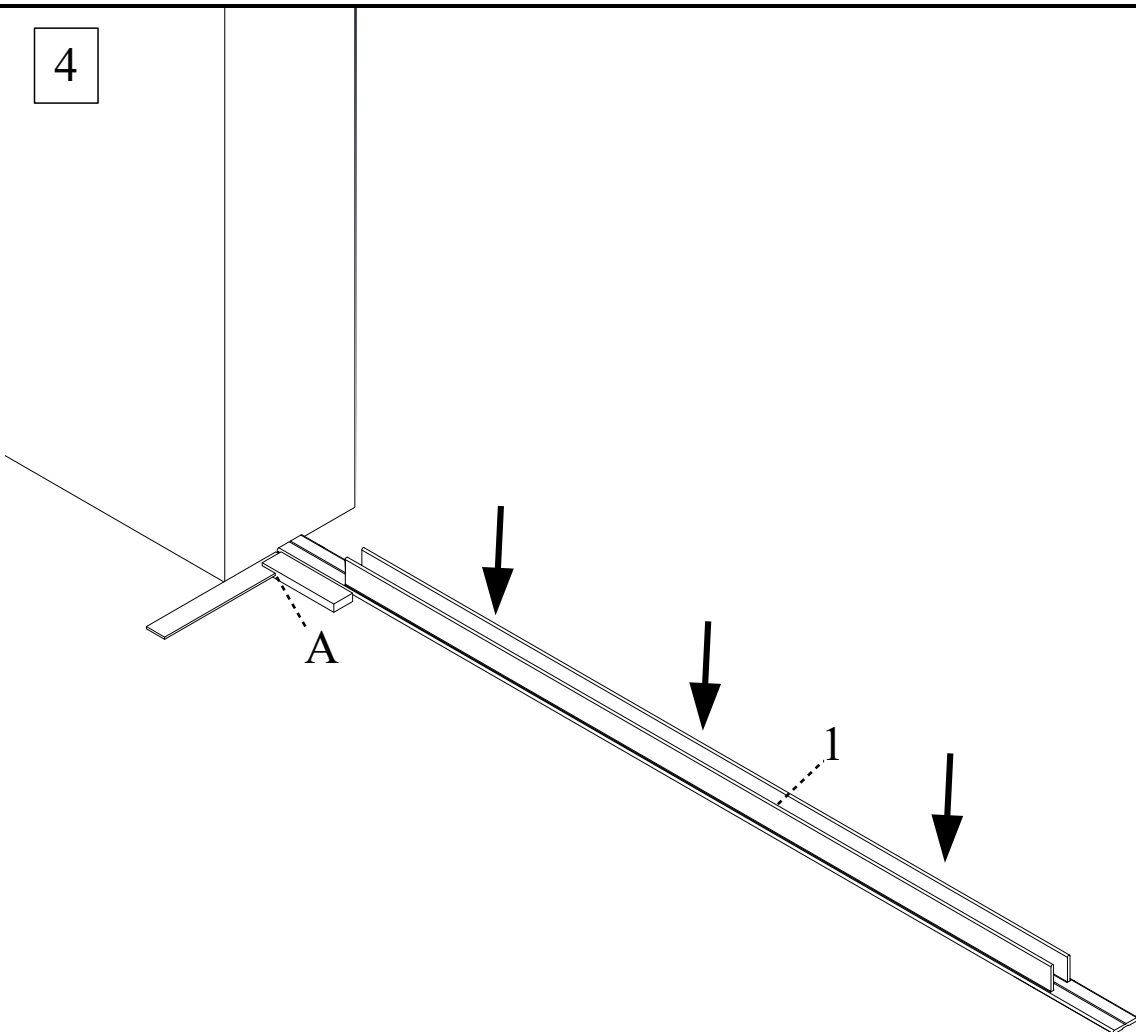


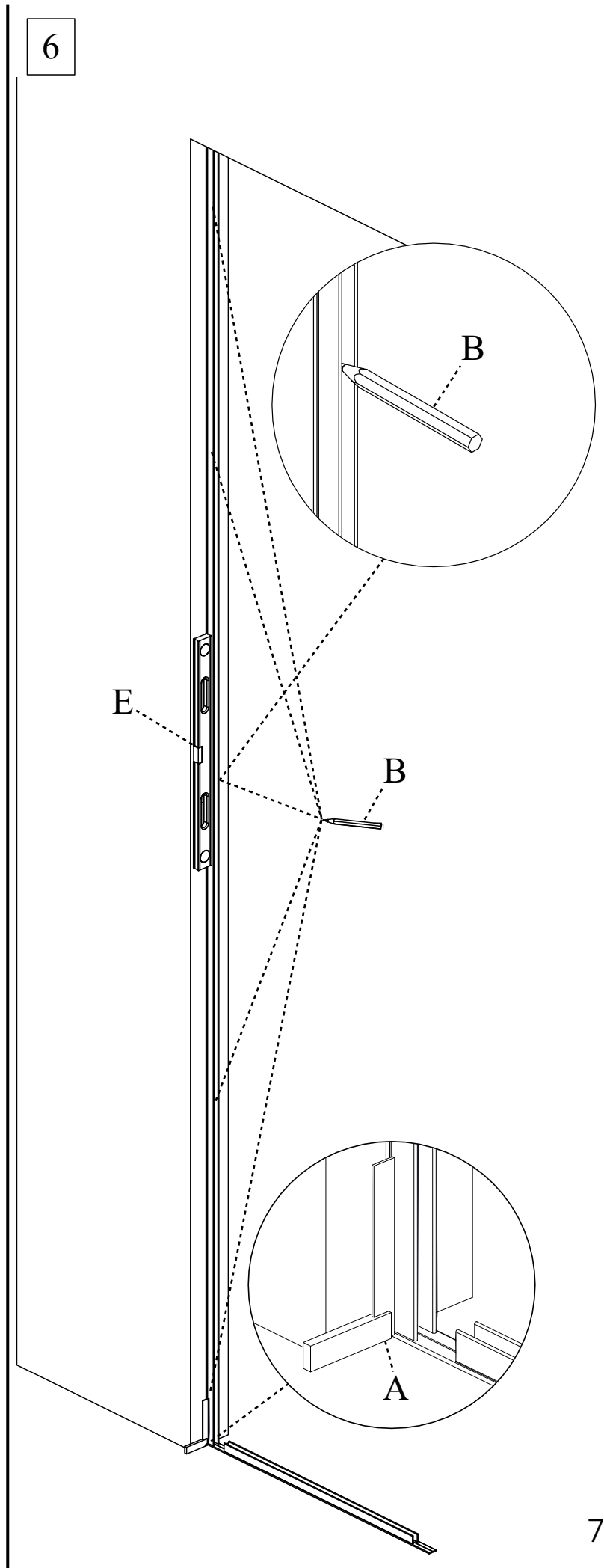
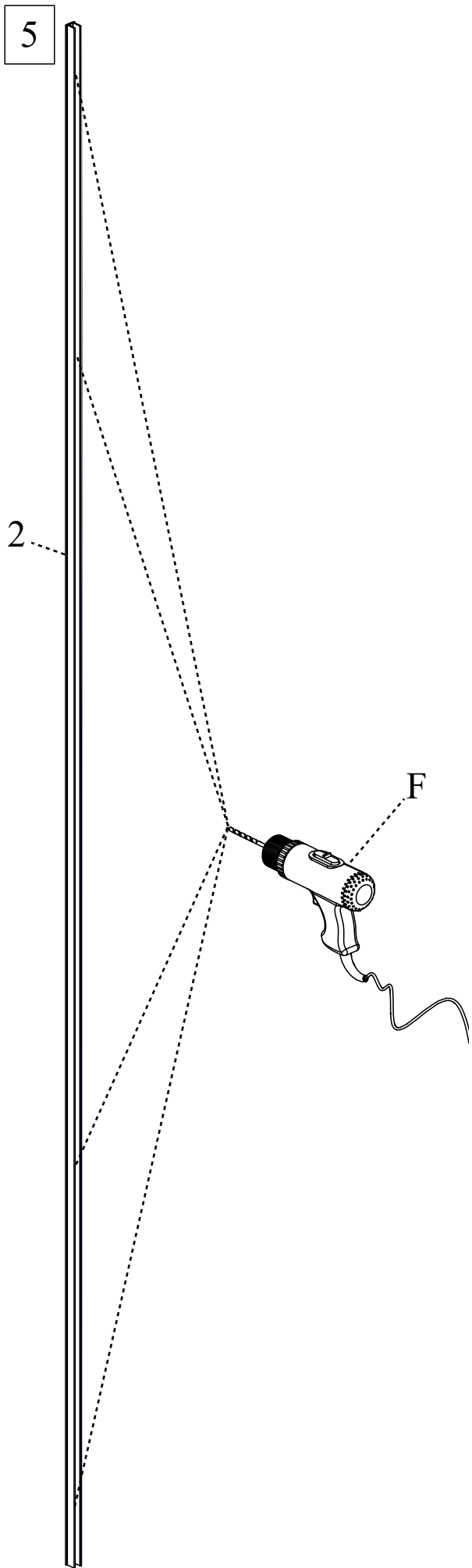


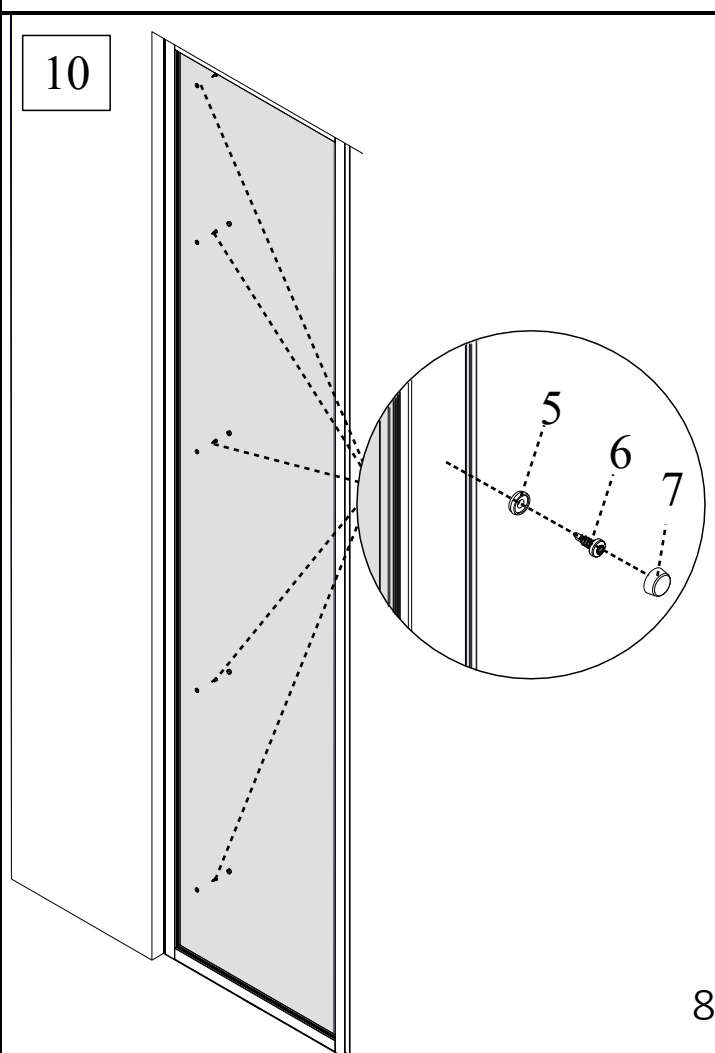
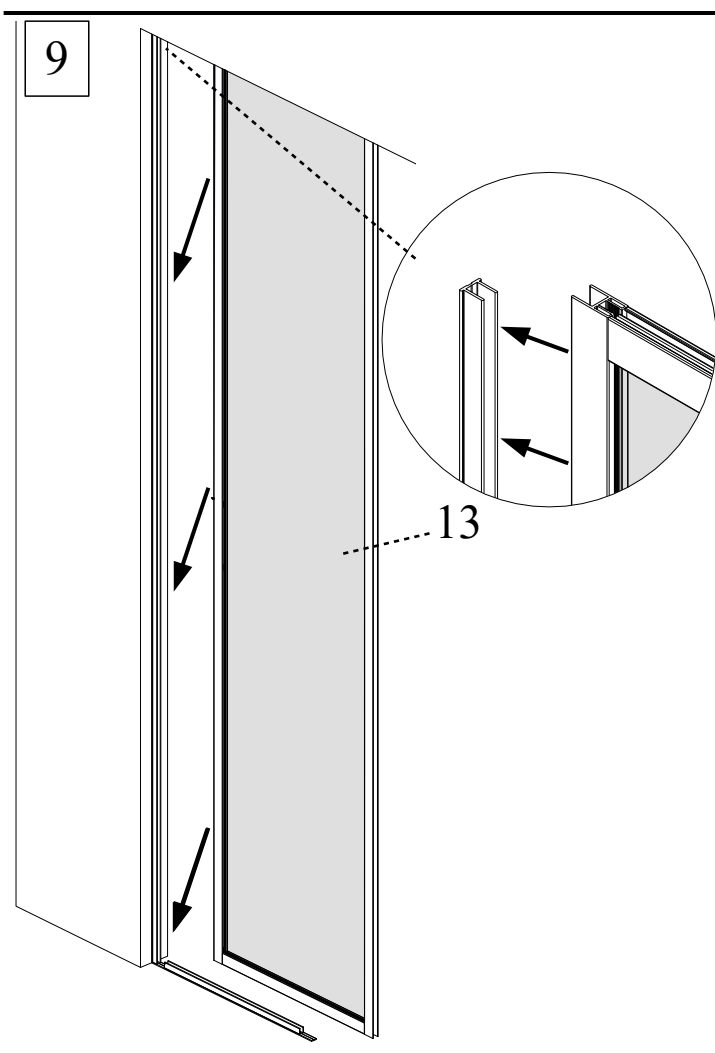
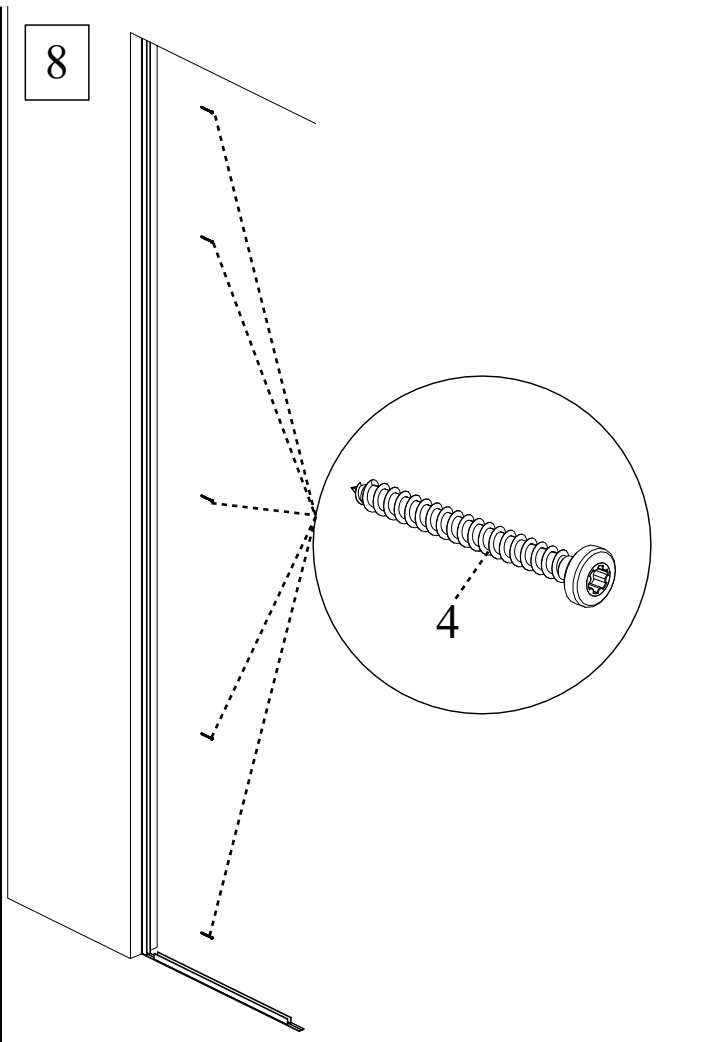
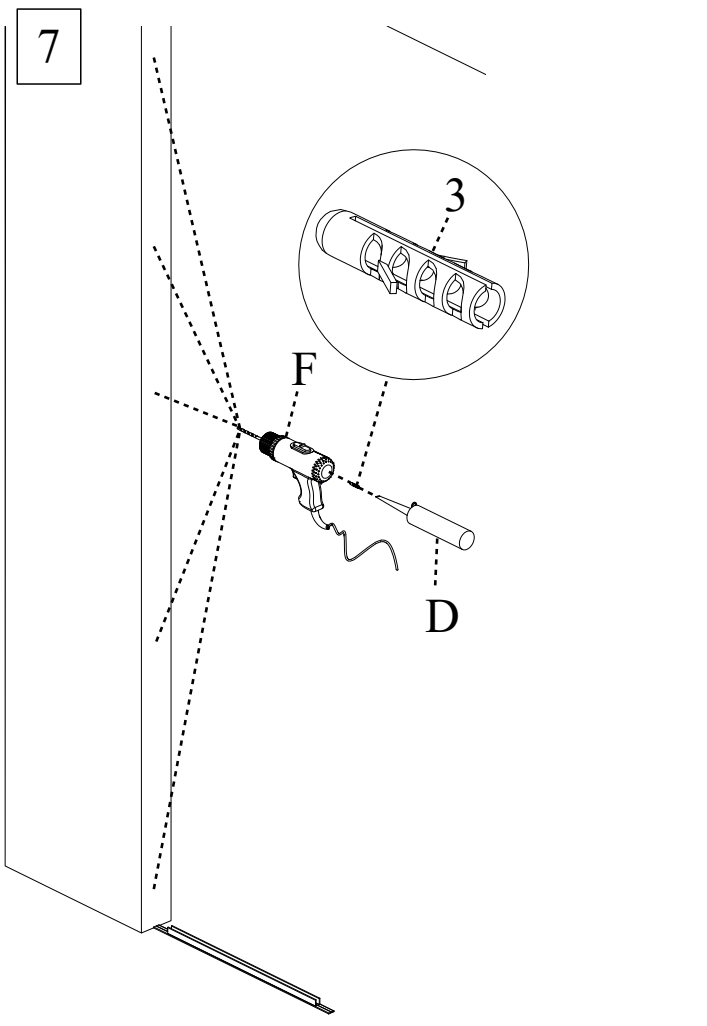
3

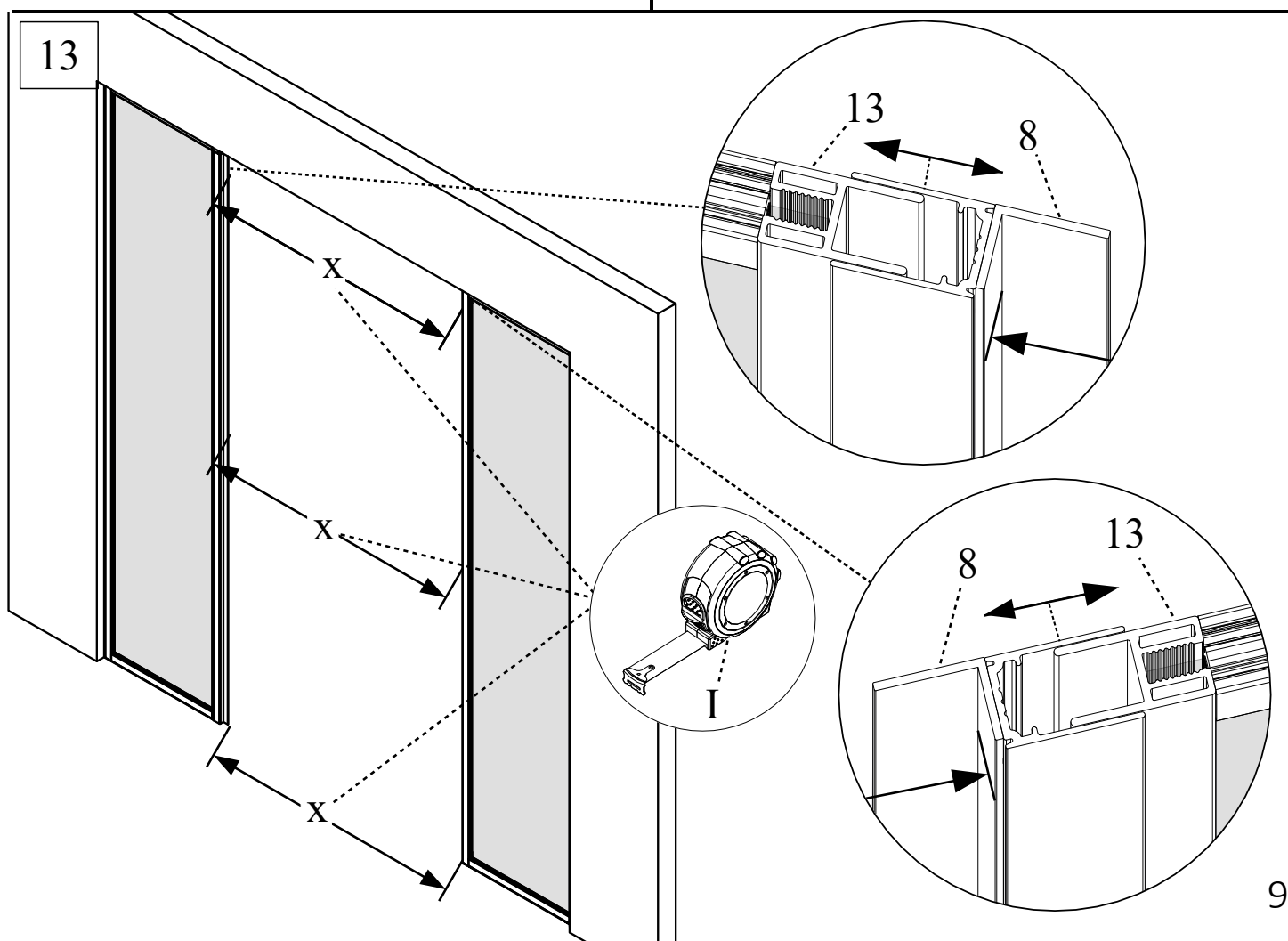
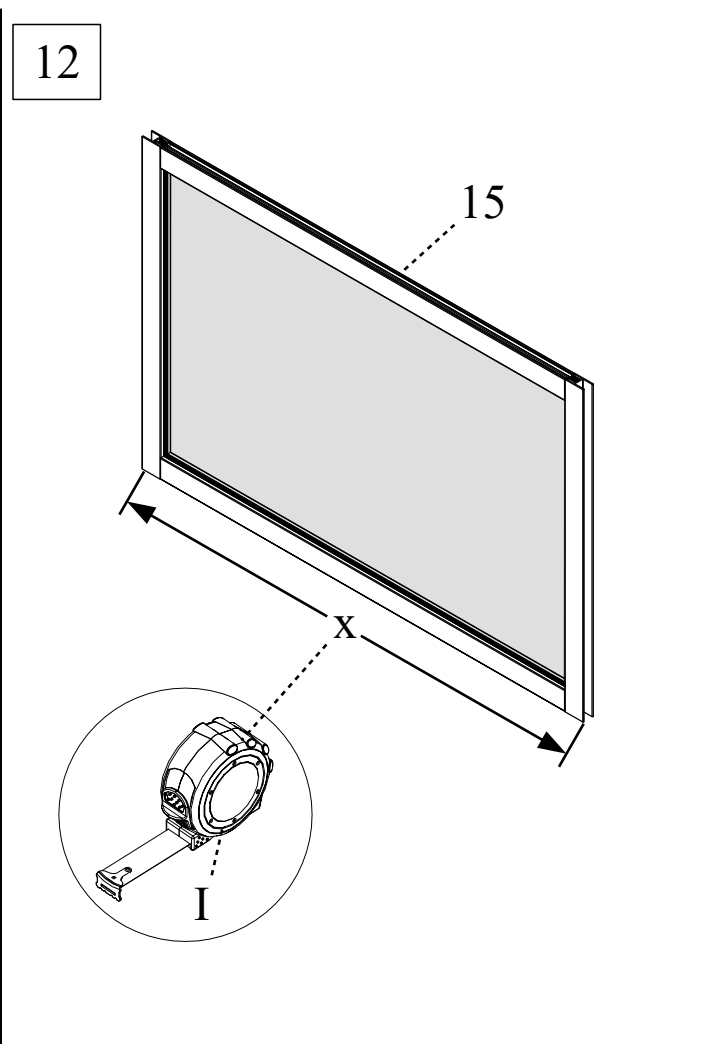
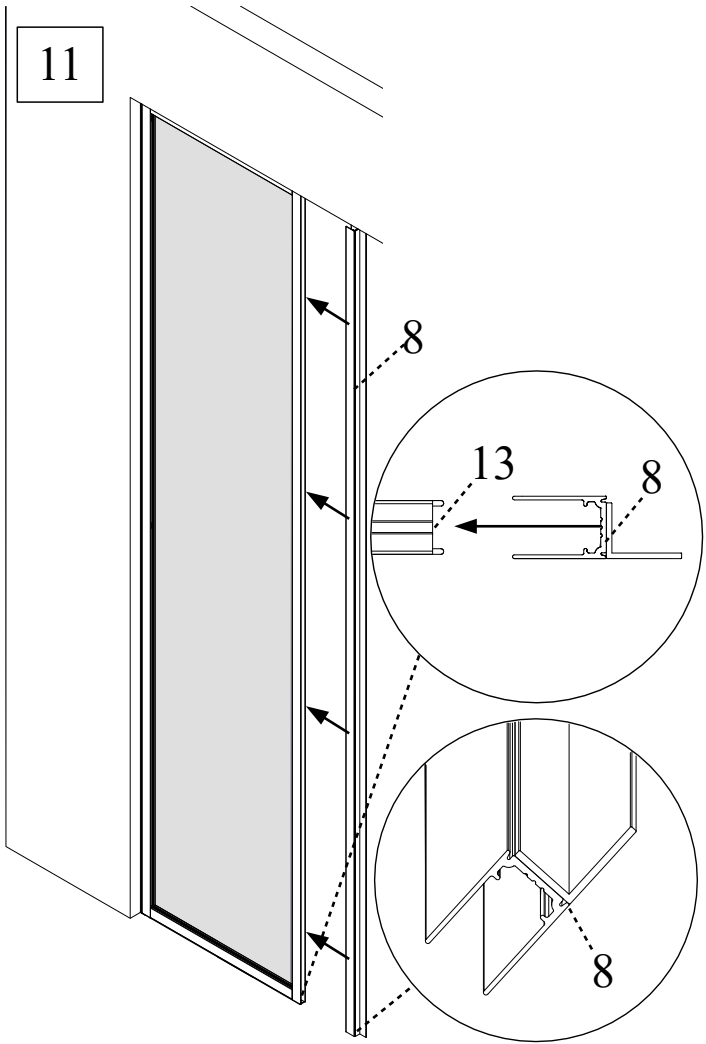


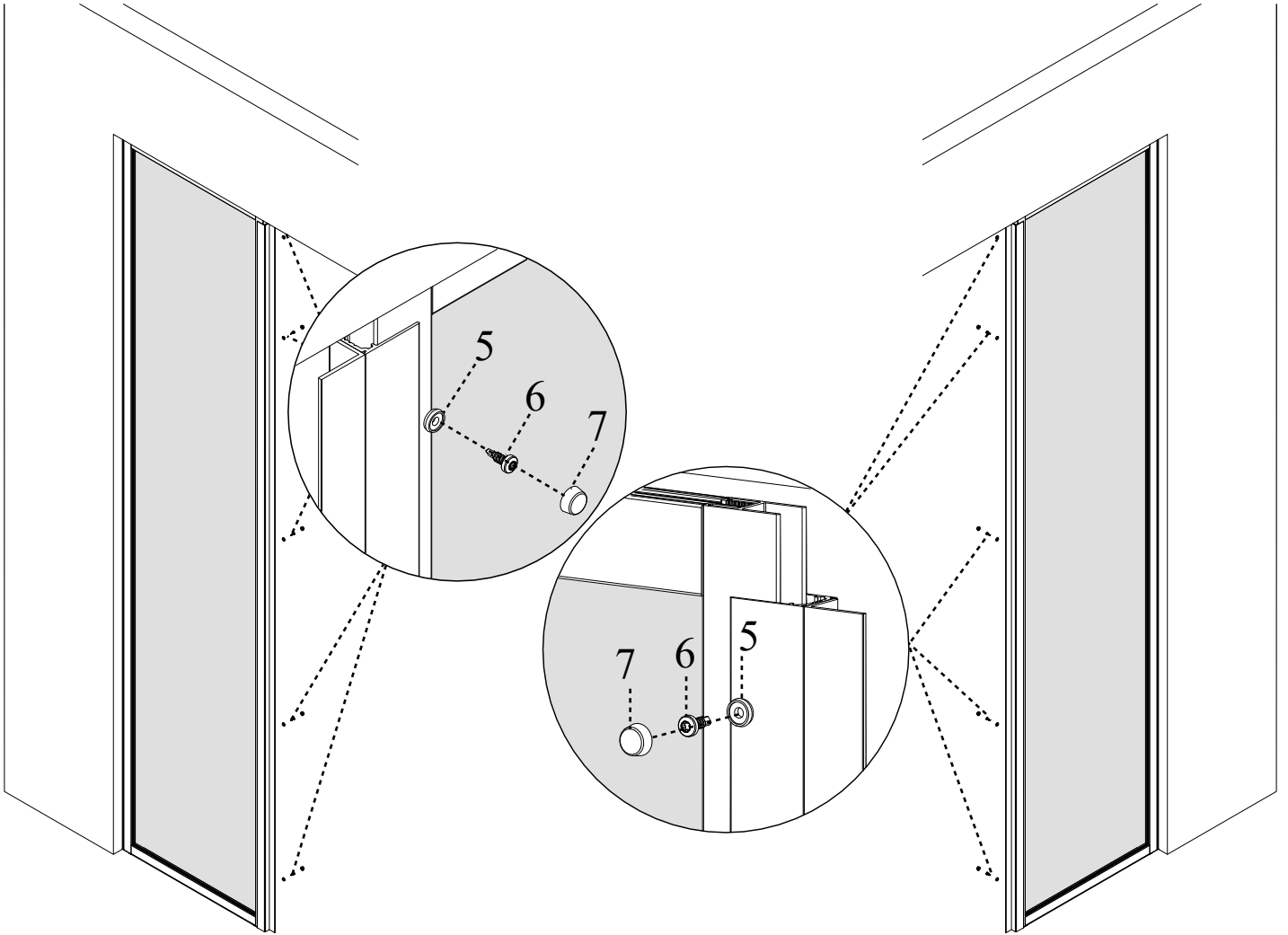
4

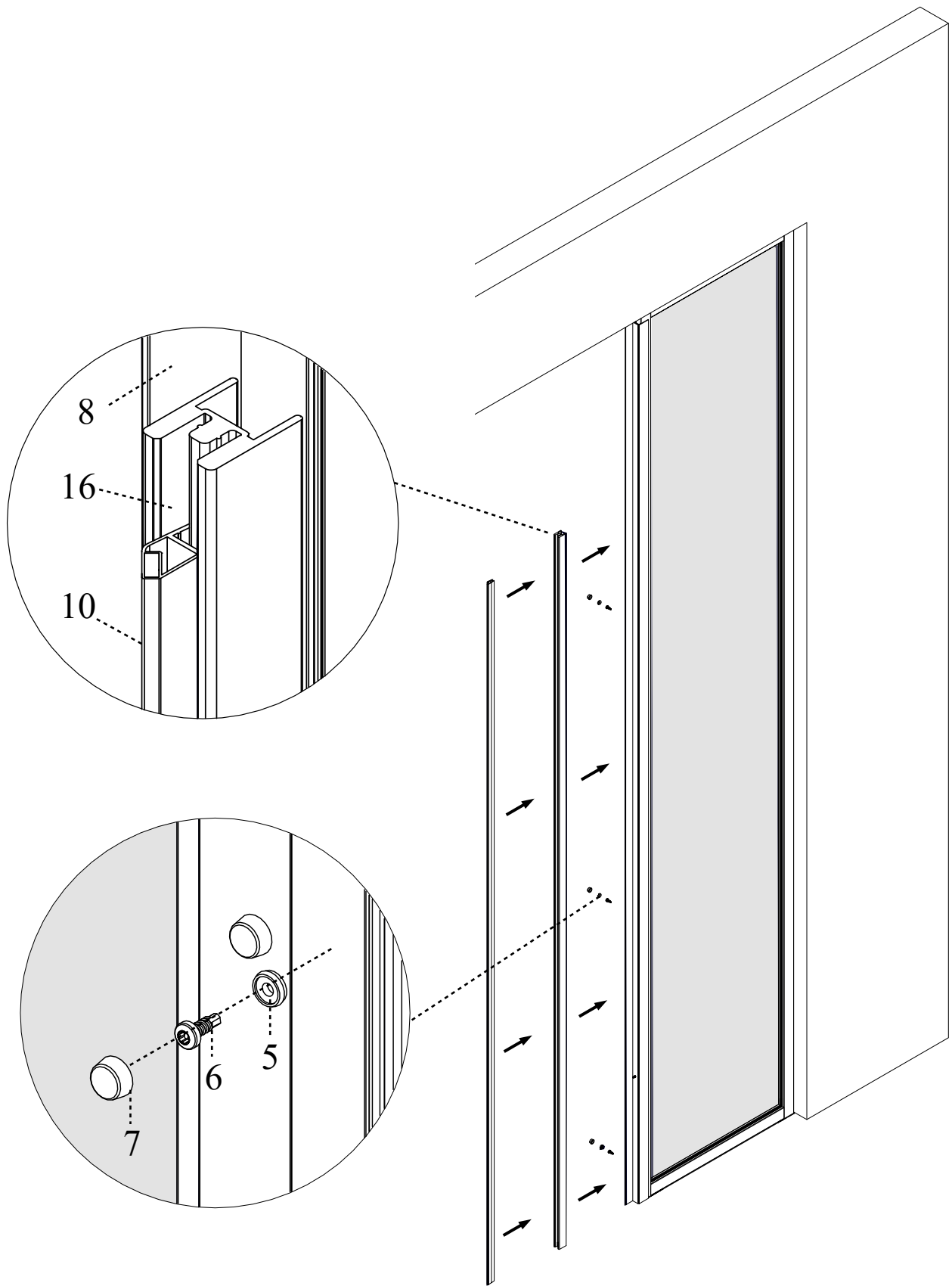




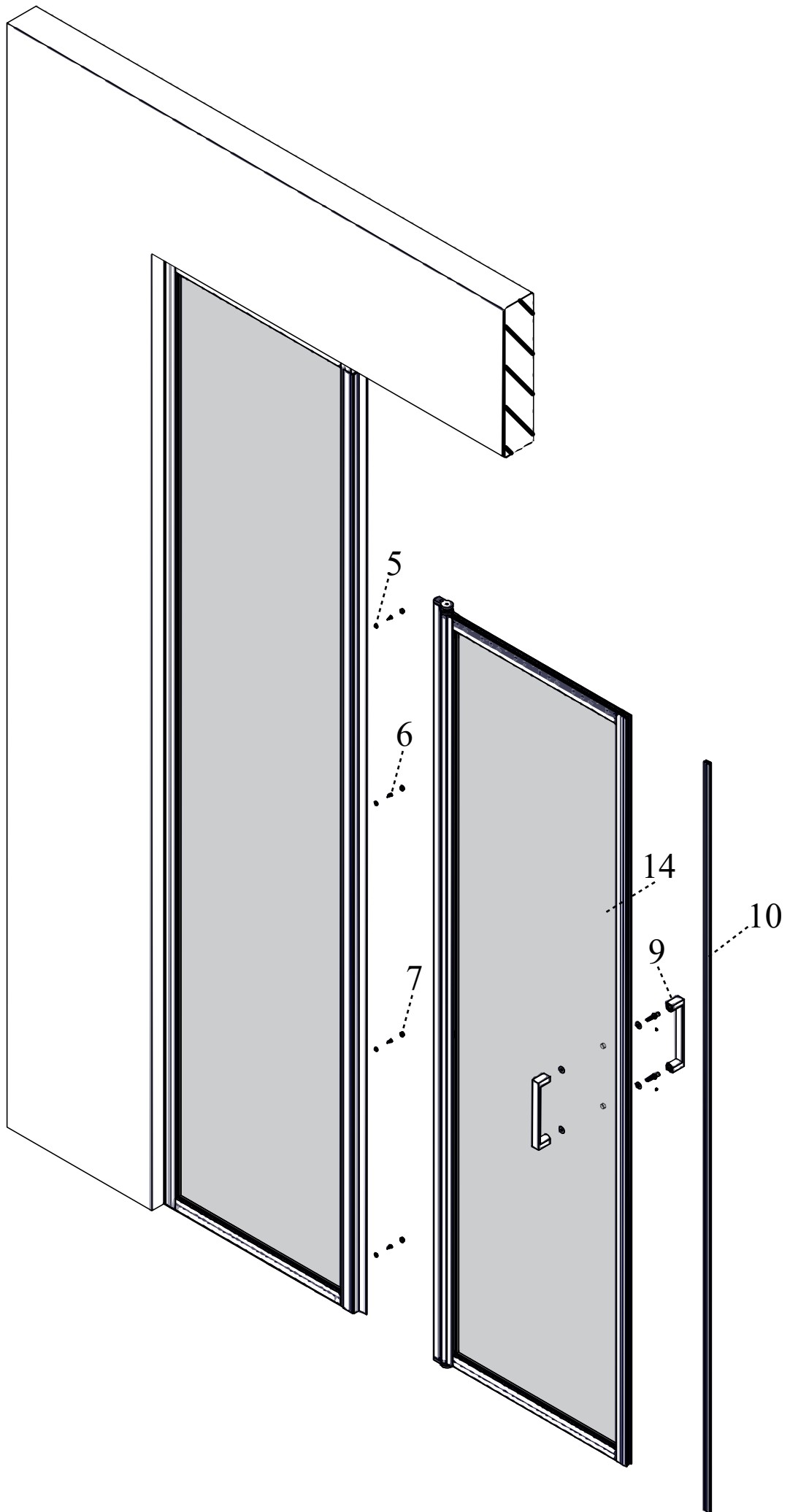




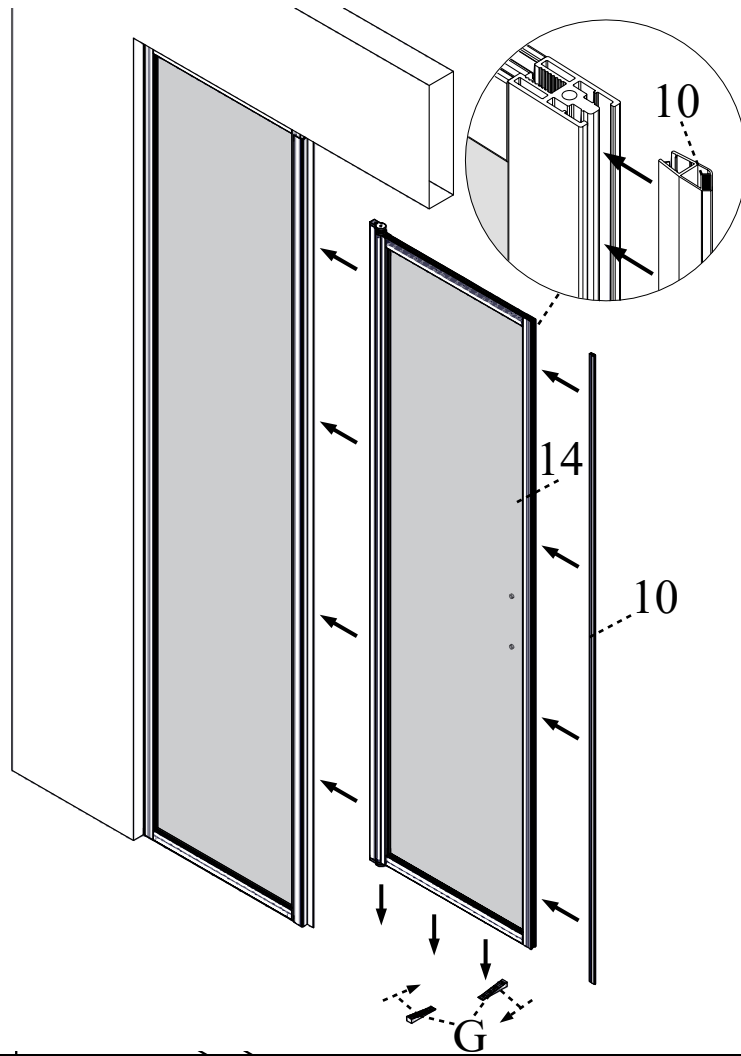




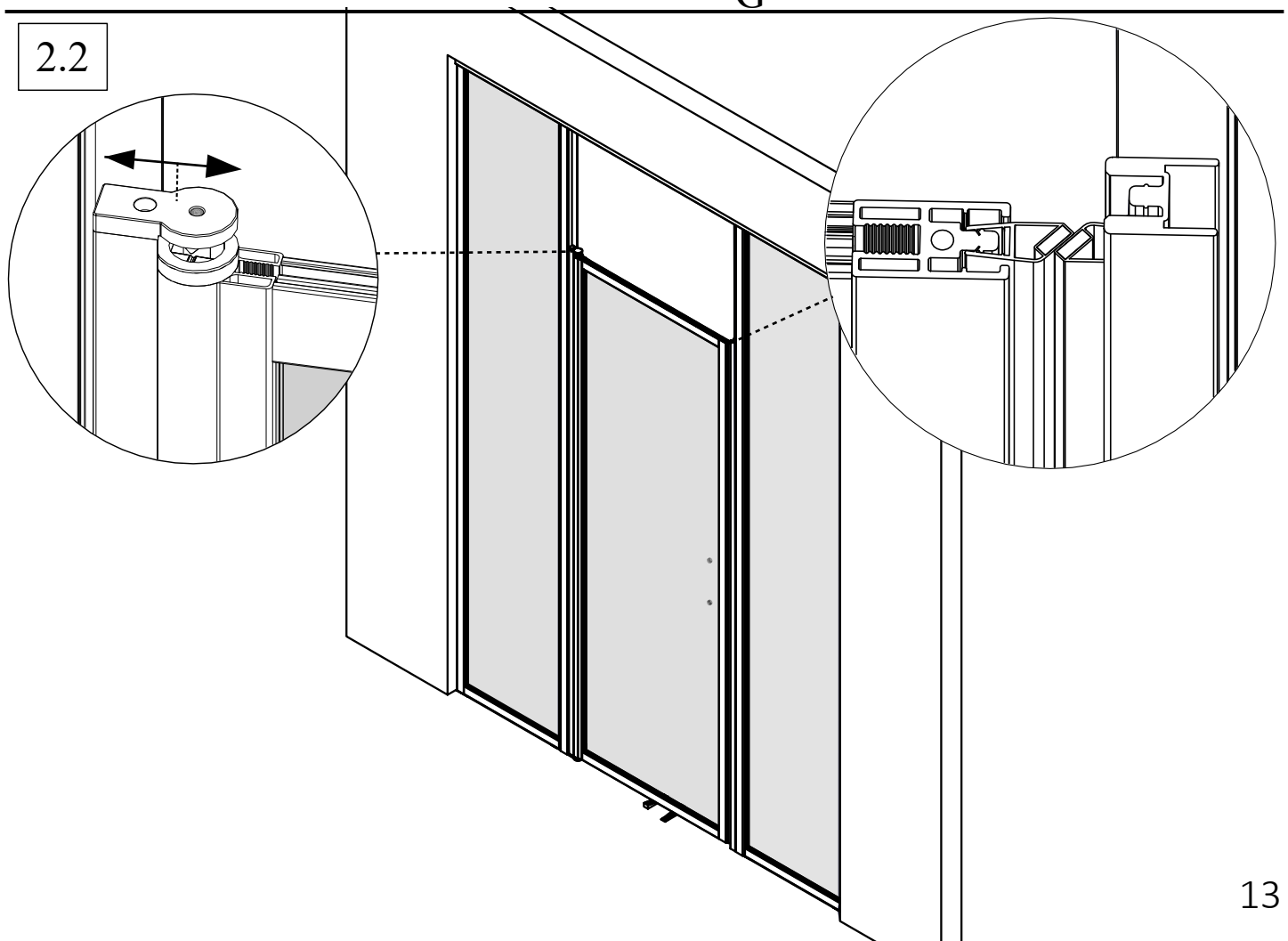
2/3



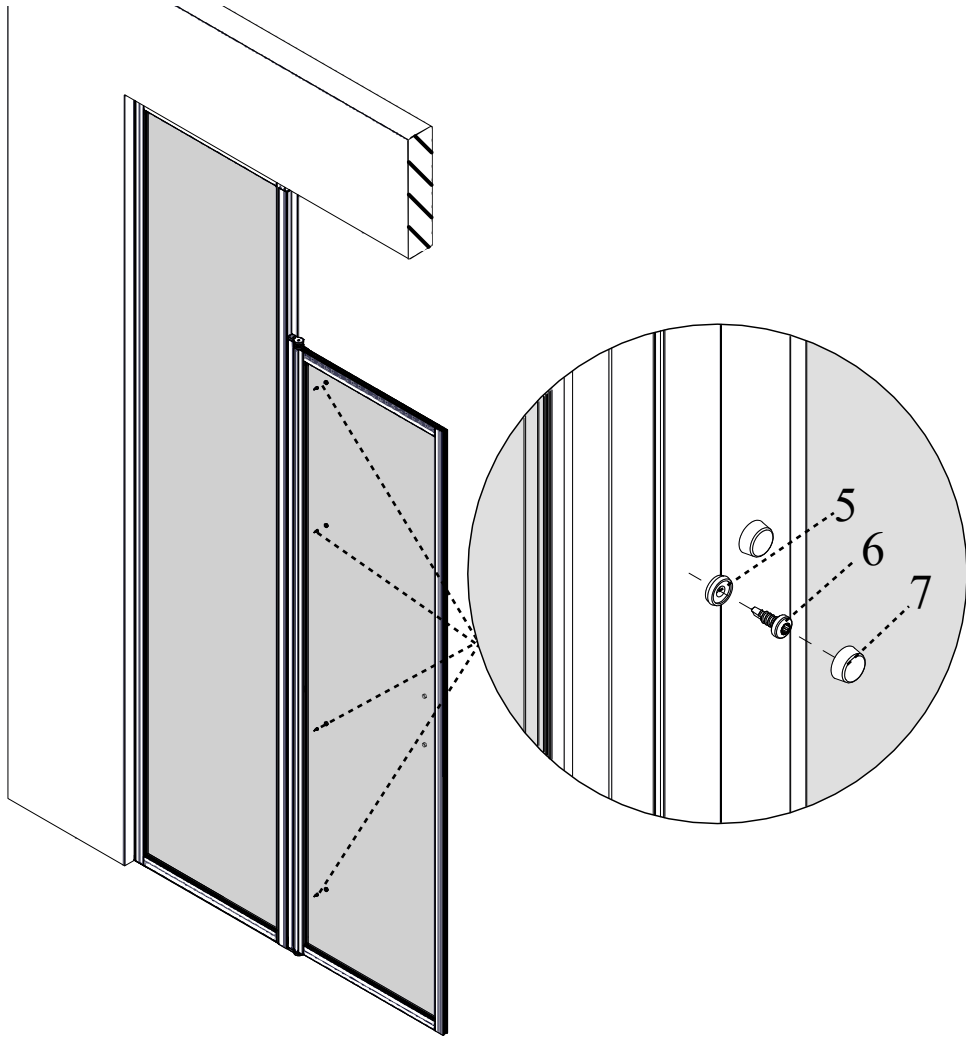
2.1



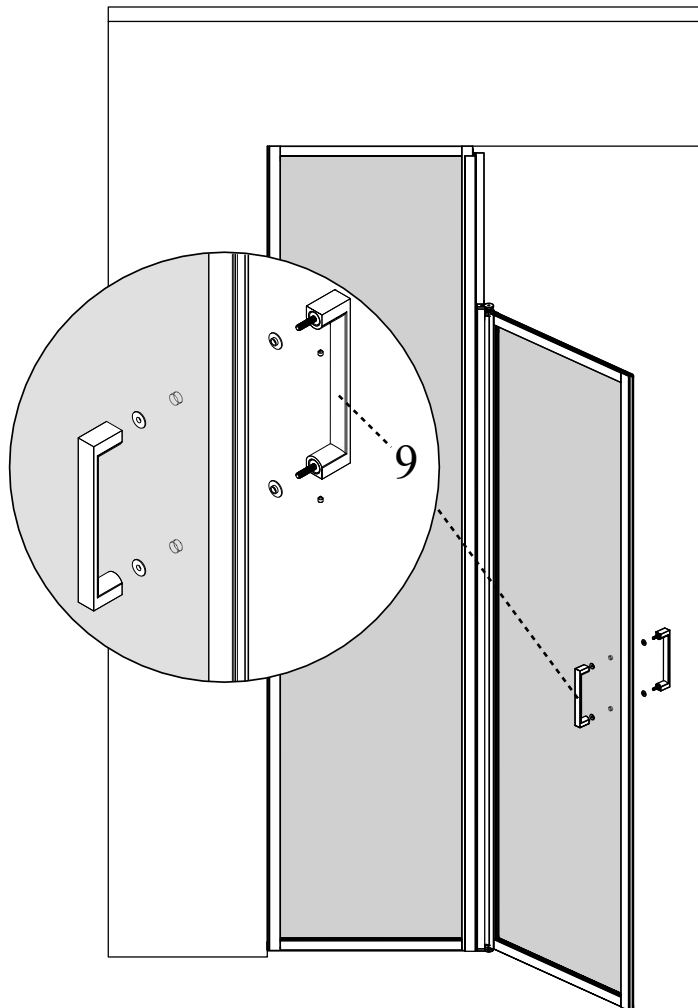
2.2



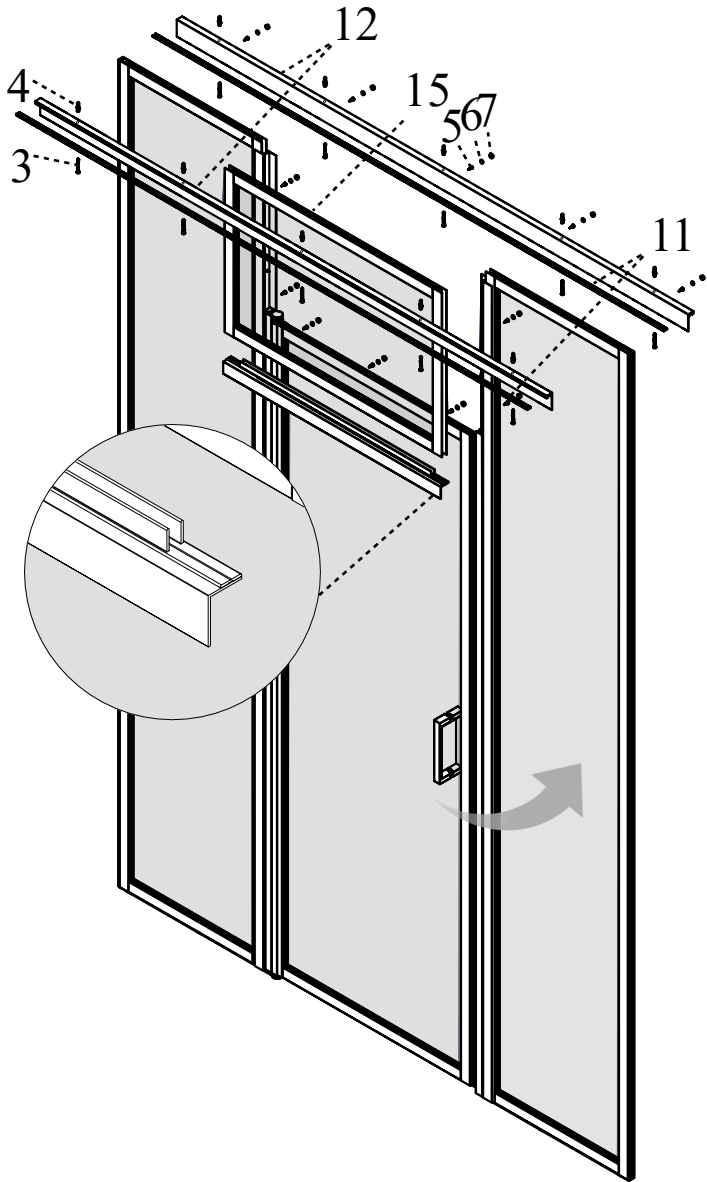
2.3



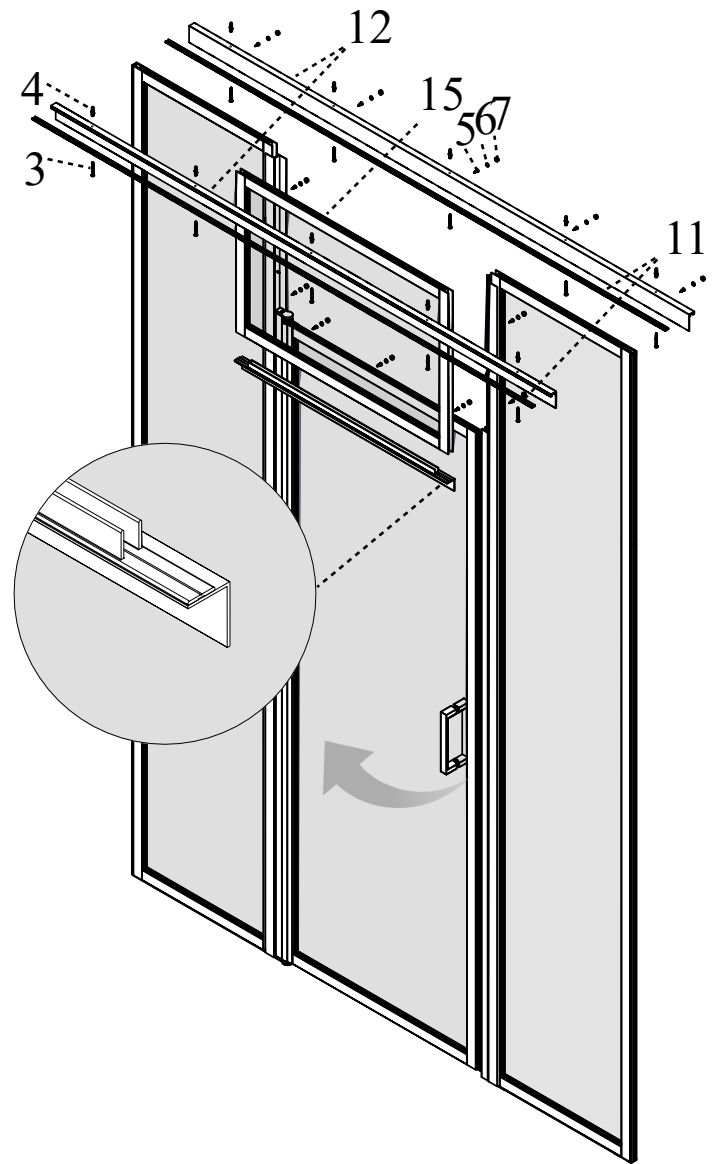
2.4



A)

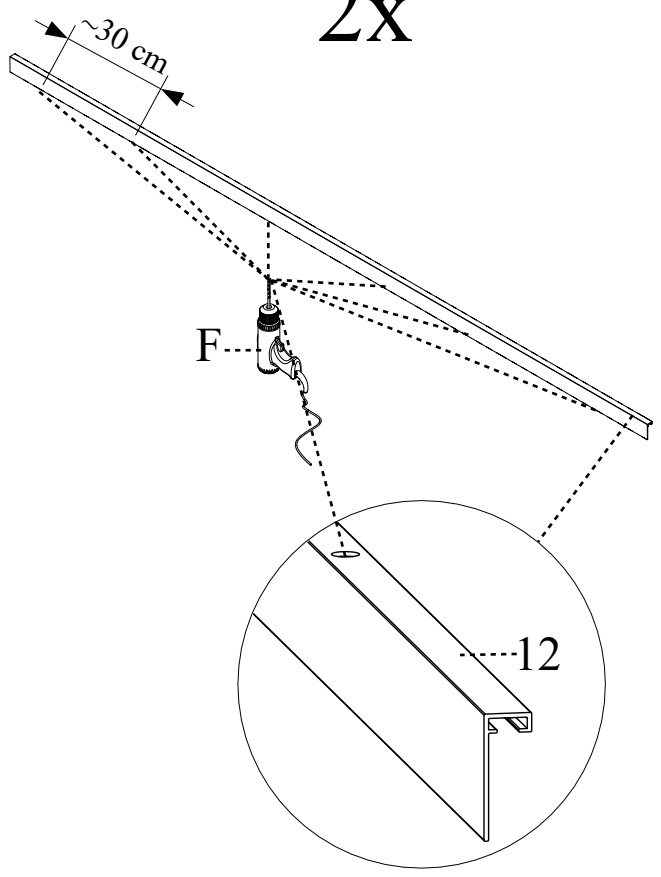


B)

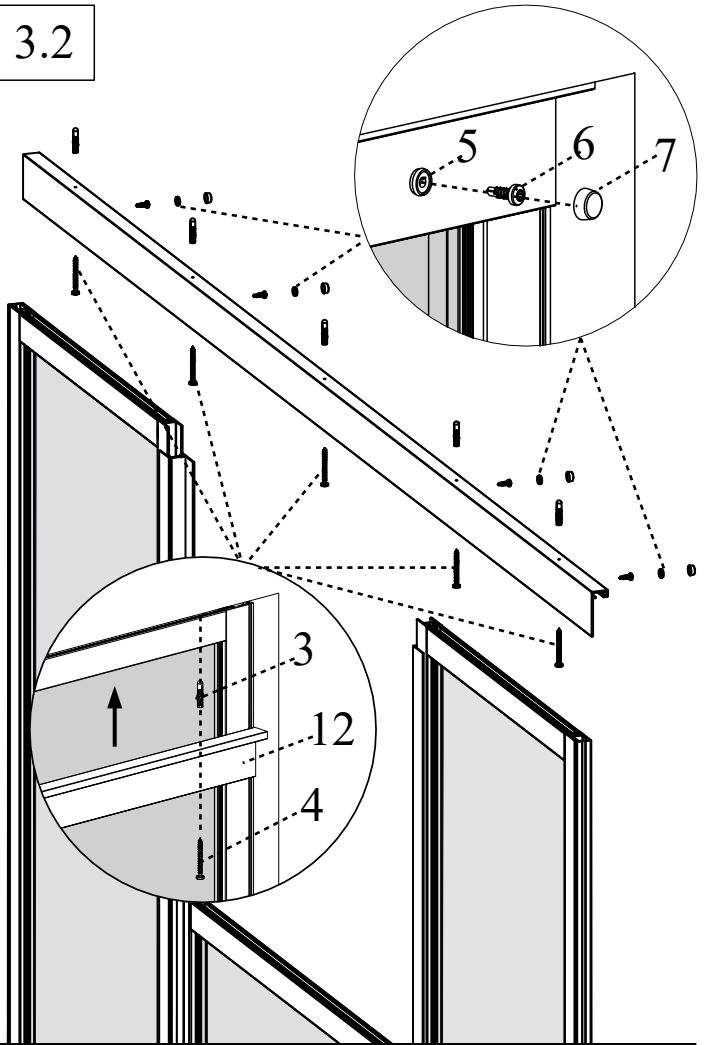


3.1

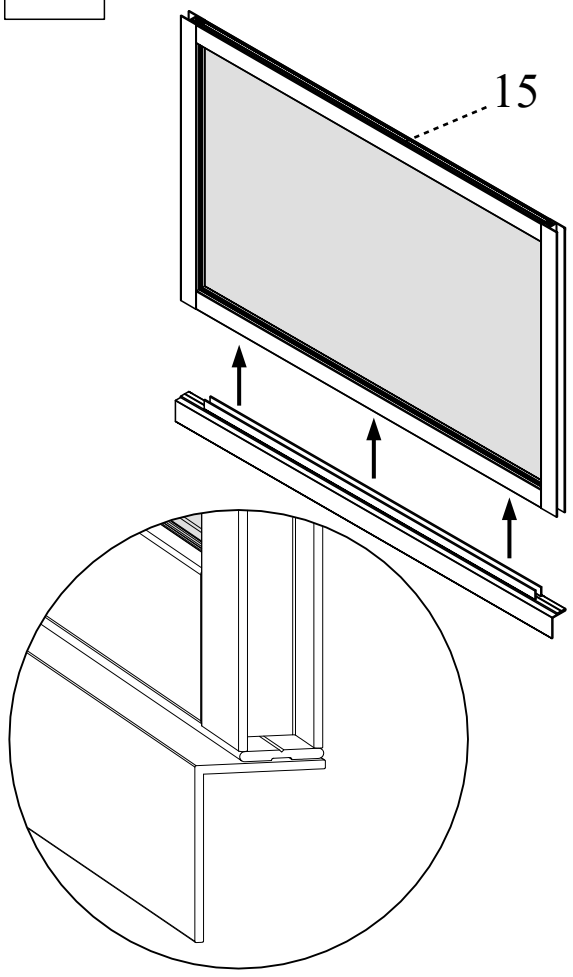
2x



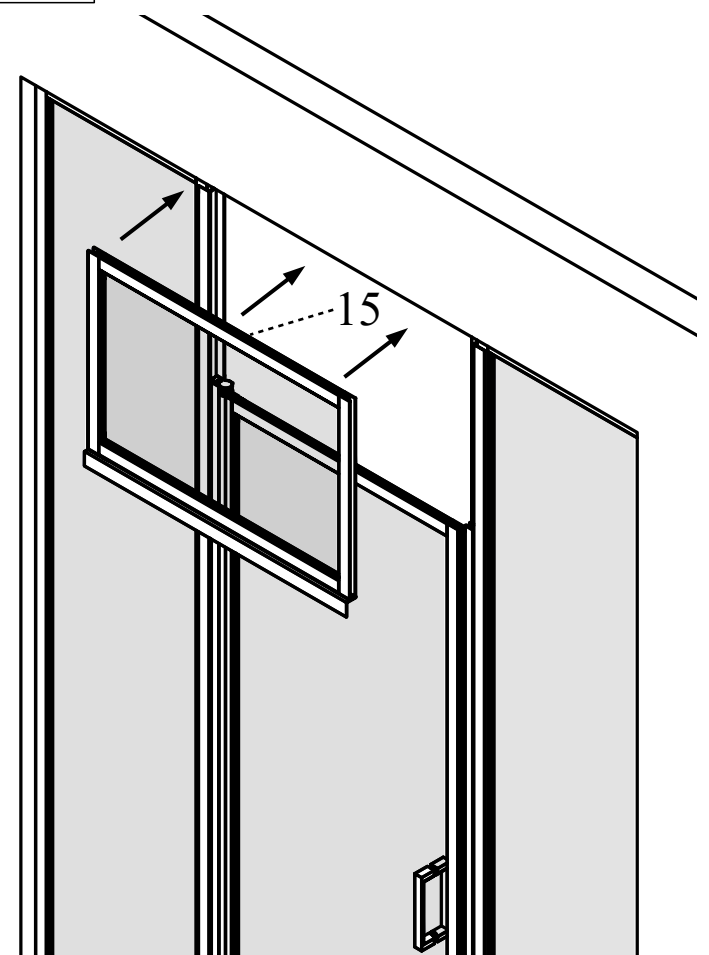
3.2



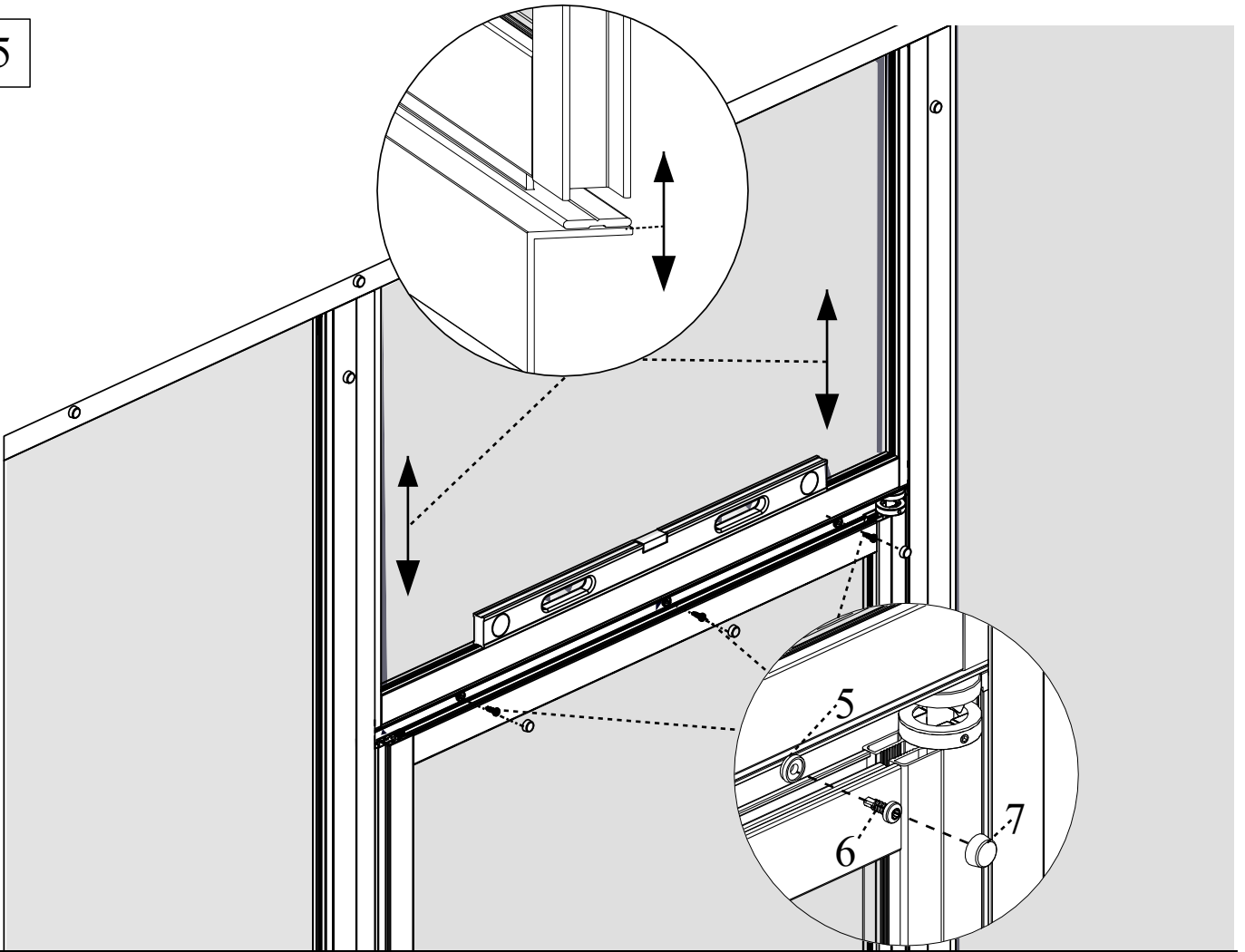
3.3



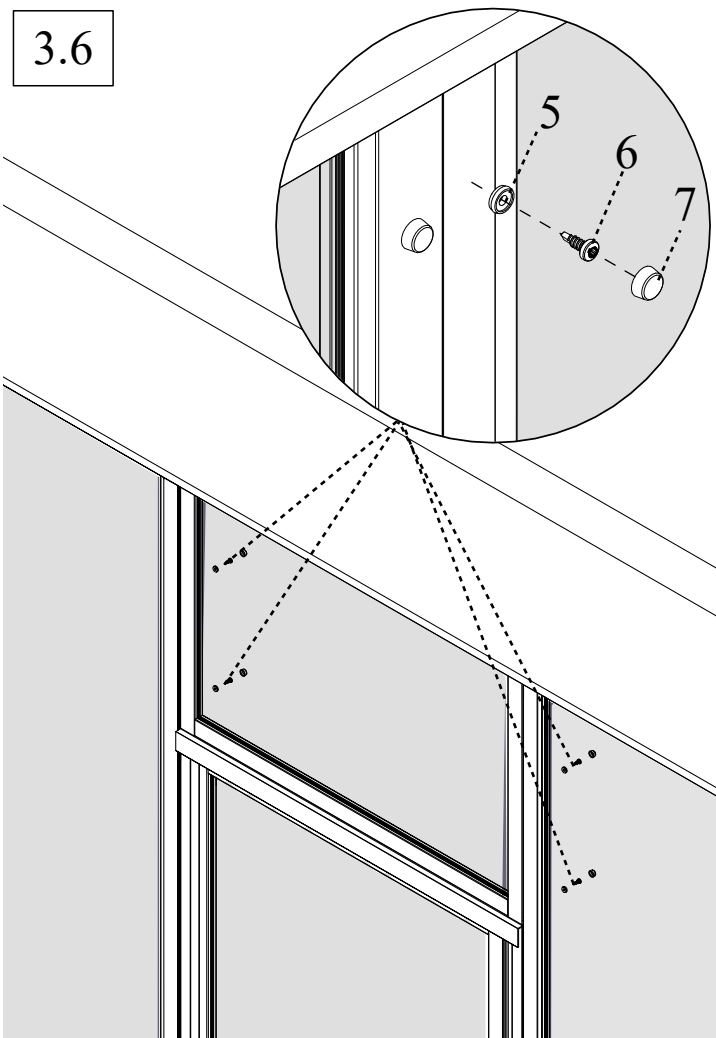
3.4



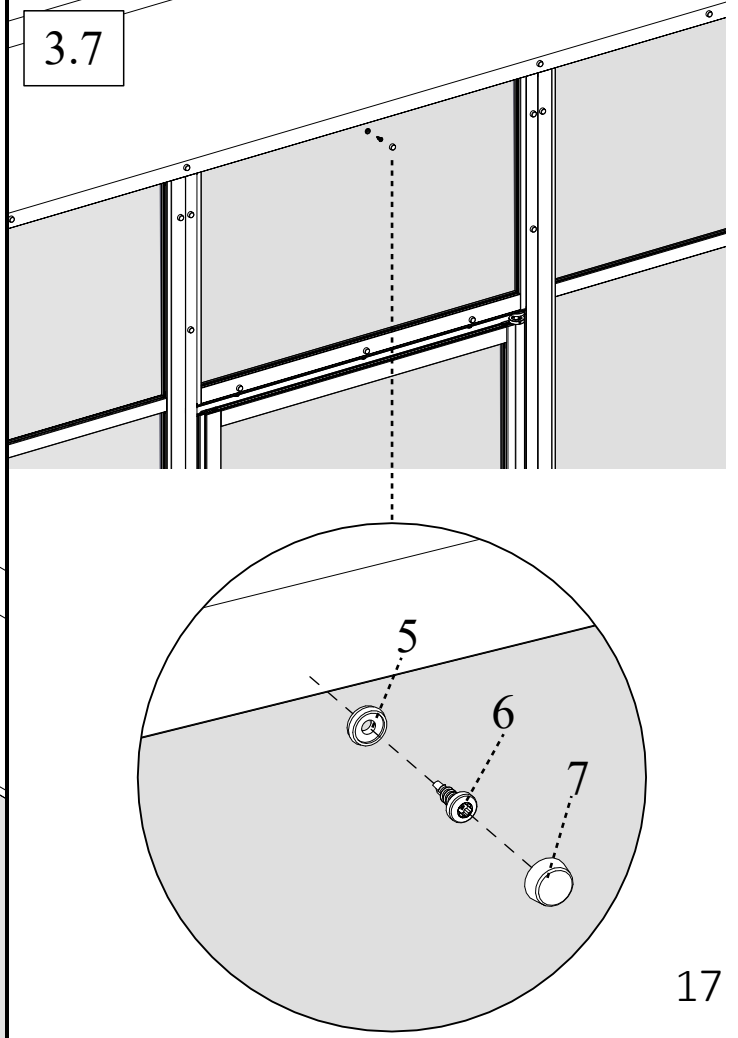
3.5



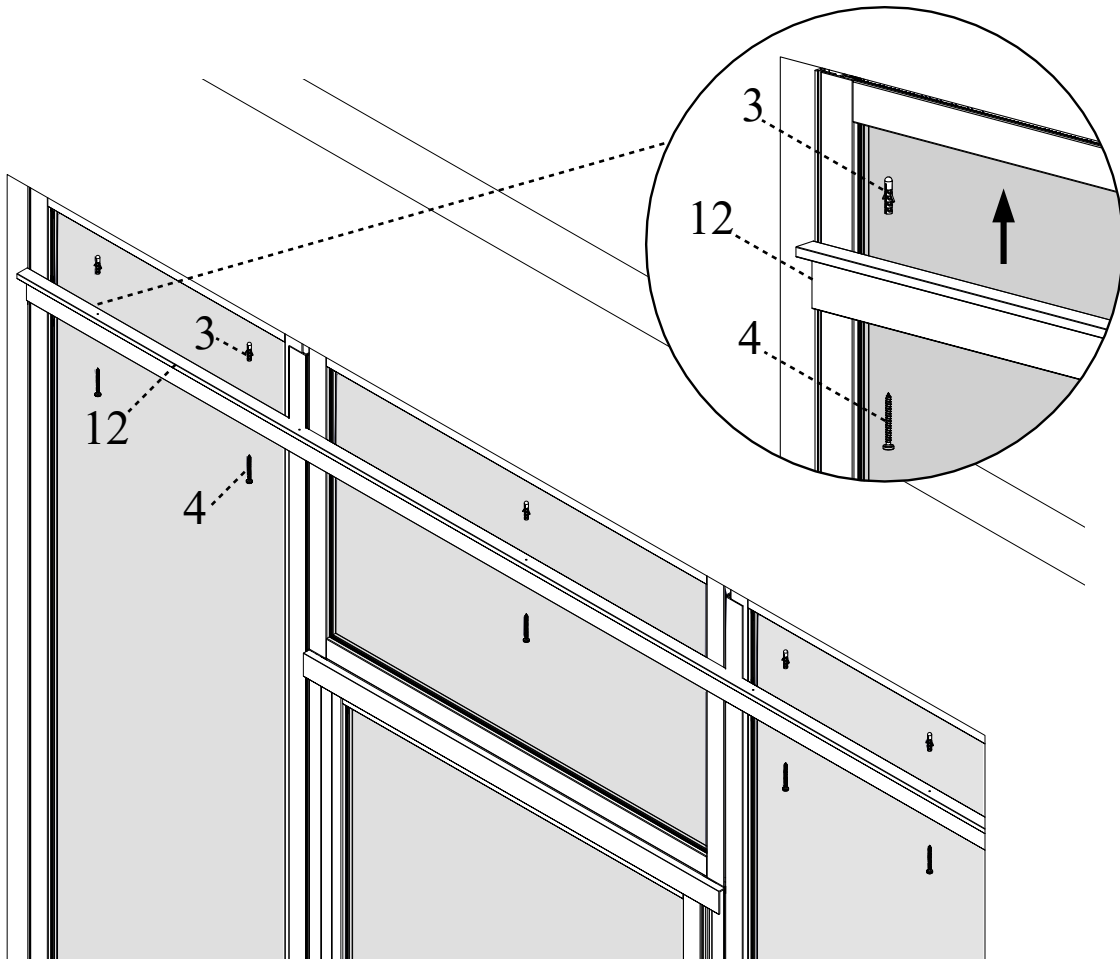
3.6



3.7



3.8



3.9

