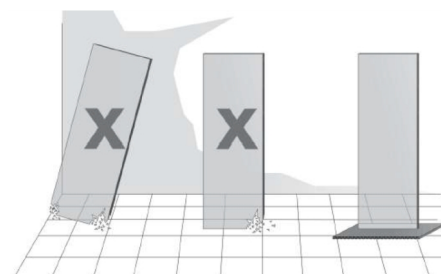
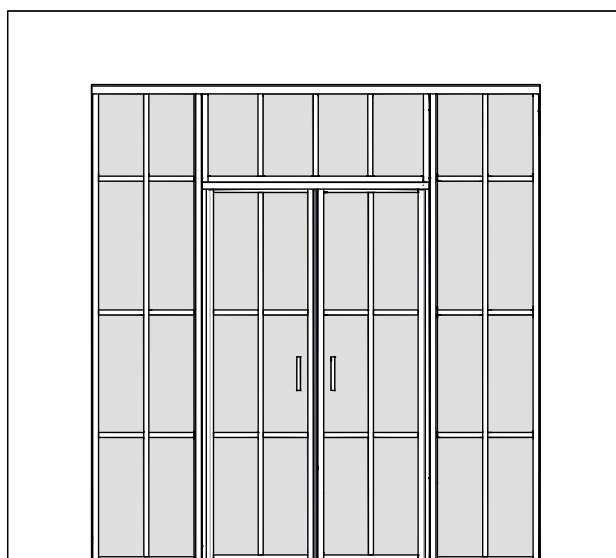
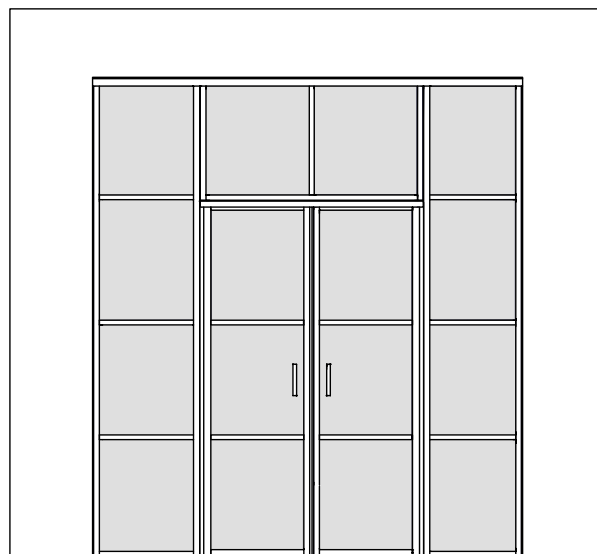
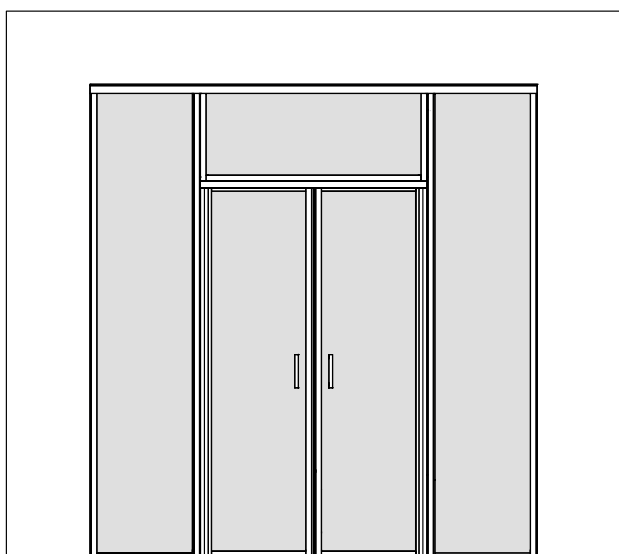
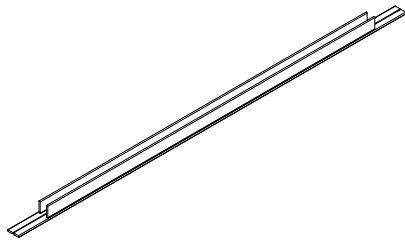




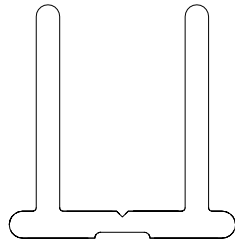
727 / 728 / 729



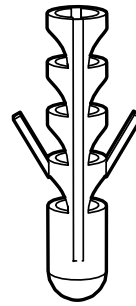
Parts



1. x2

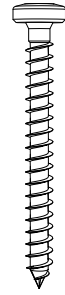


2. x2



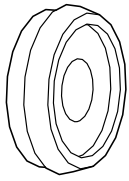
4/83 13RLM

3. 6x30 mm
x26



4/83 11RLM

4. 4.5x45 mm
x26



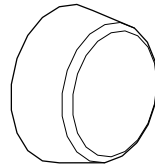
4/83 22RLM

5. x46



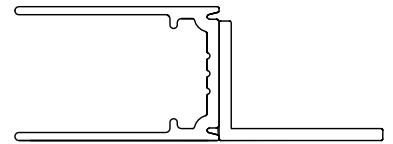
4/83 24RLM

6. 4.2x13 mm
x46

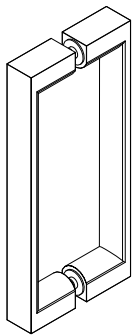


4/83 23RLM

7. x46

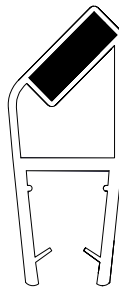


8. x2



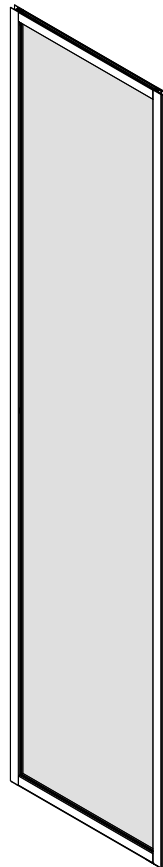
8/65 459LM

9. x2

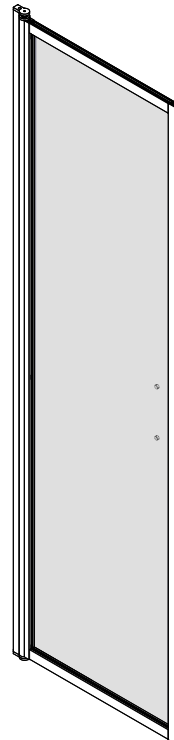


1/42 509L2

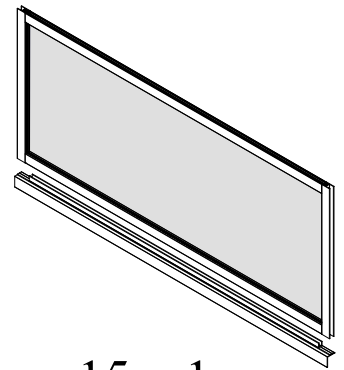
10. x2



13. x2



14. x2

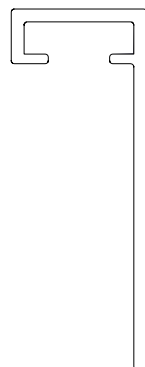


15. x1



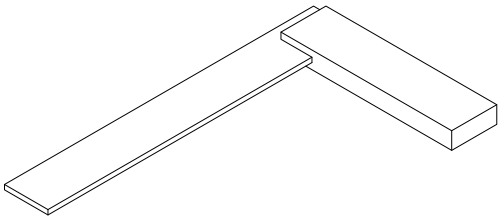
11. x2

1/42 T1RLM

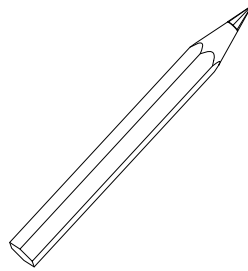


12. x2

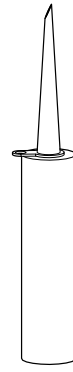
Tools



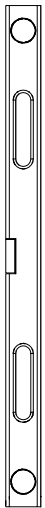
A



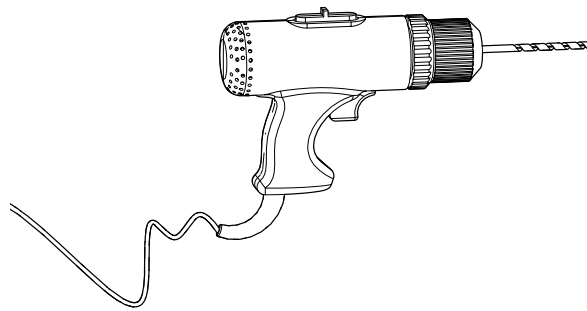
B



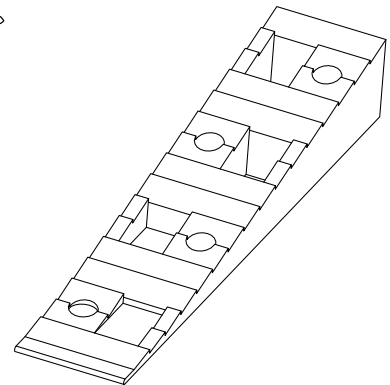
C – Glue
D – Silicone



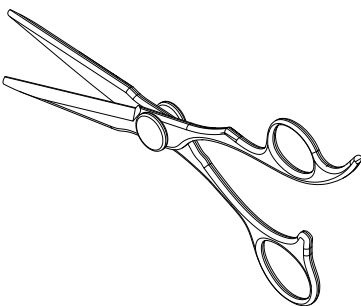
E



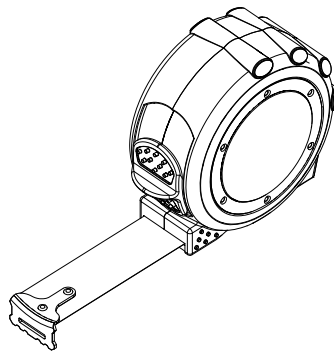
Ø6 mm
F



G

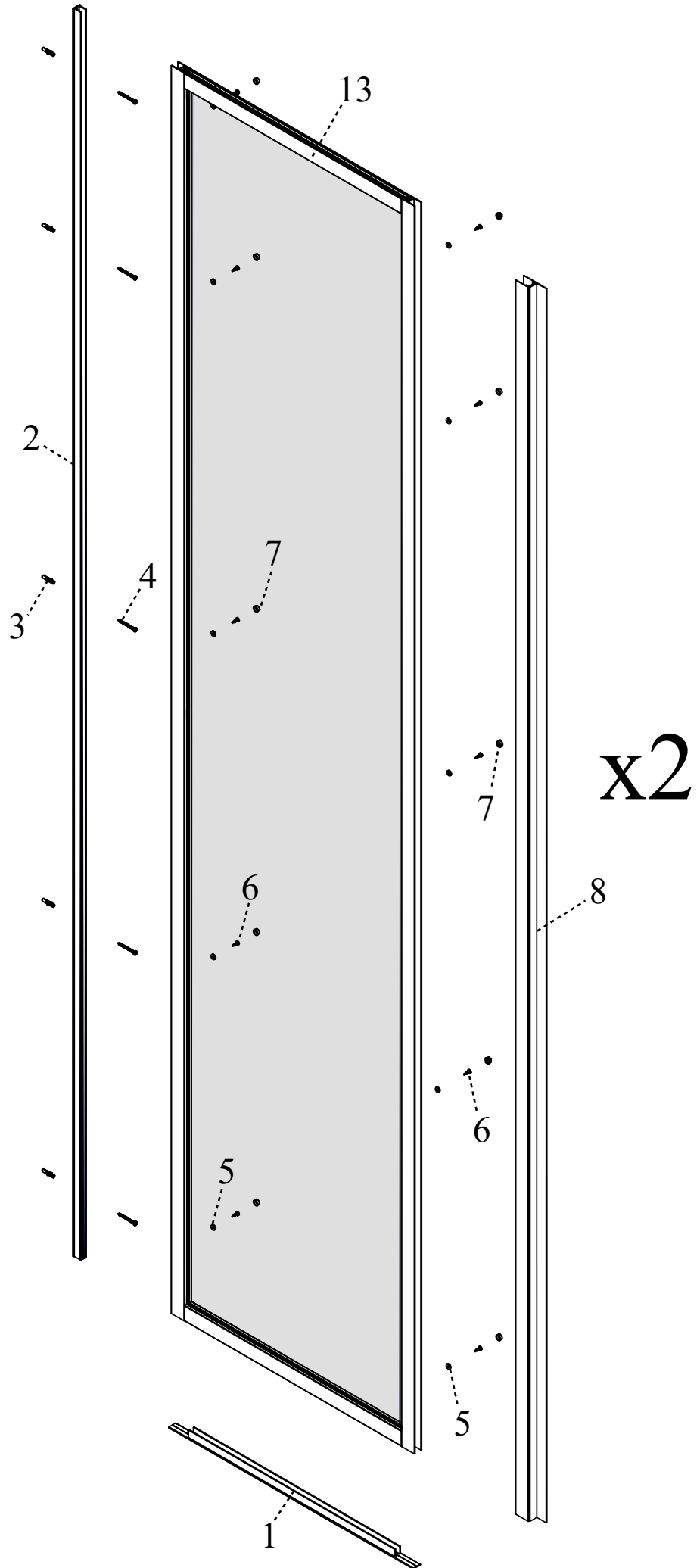


H

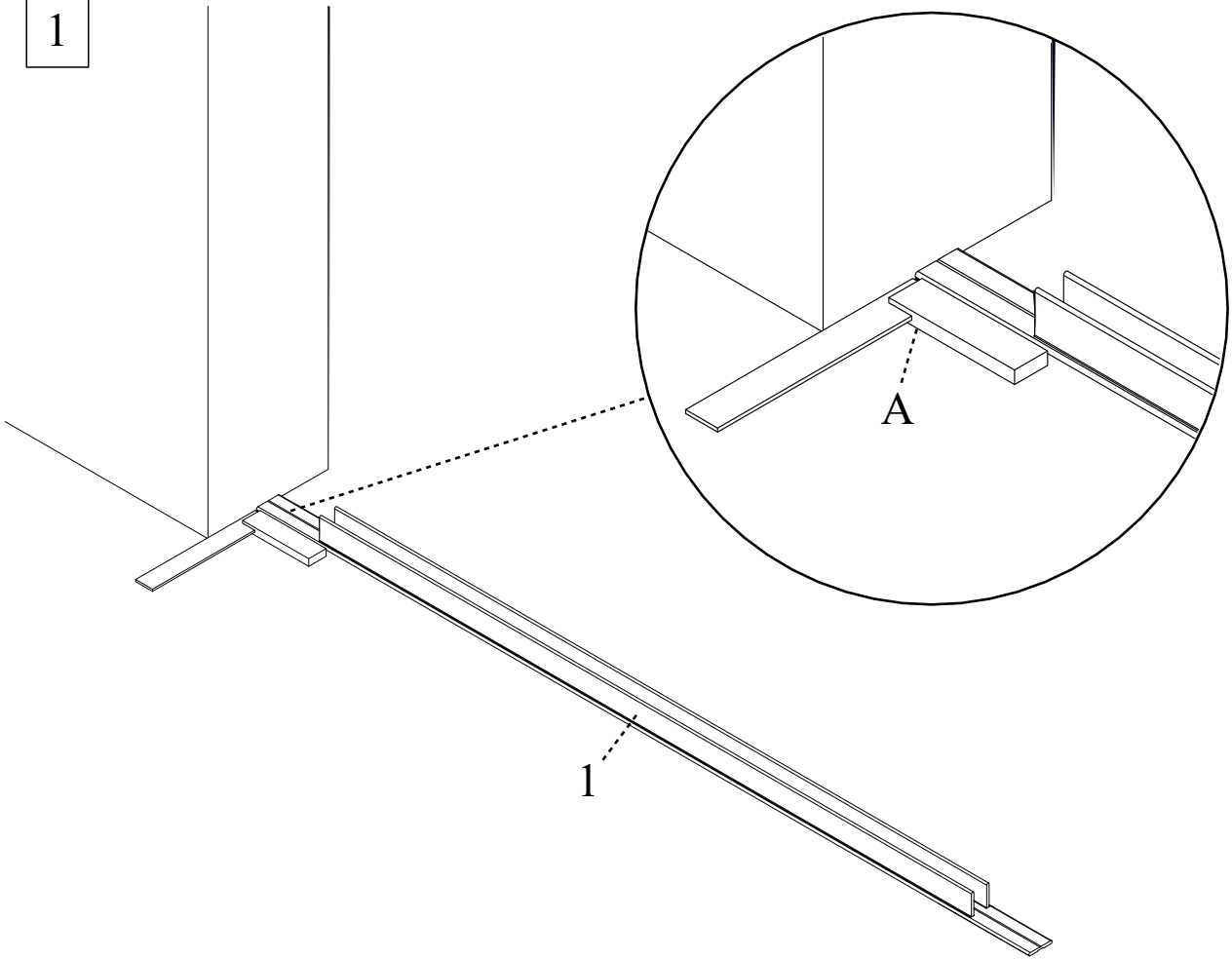


I

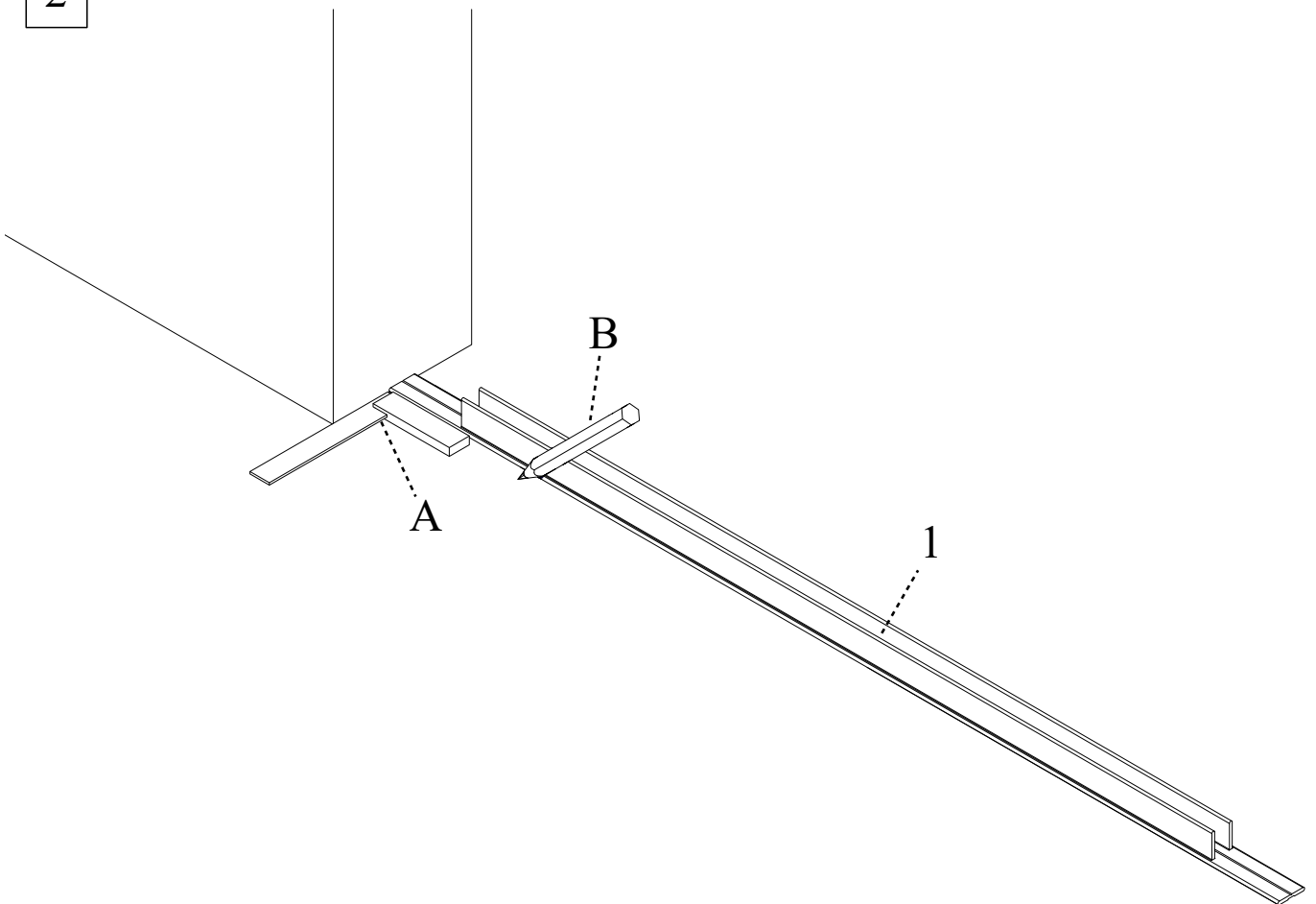
1/3



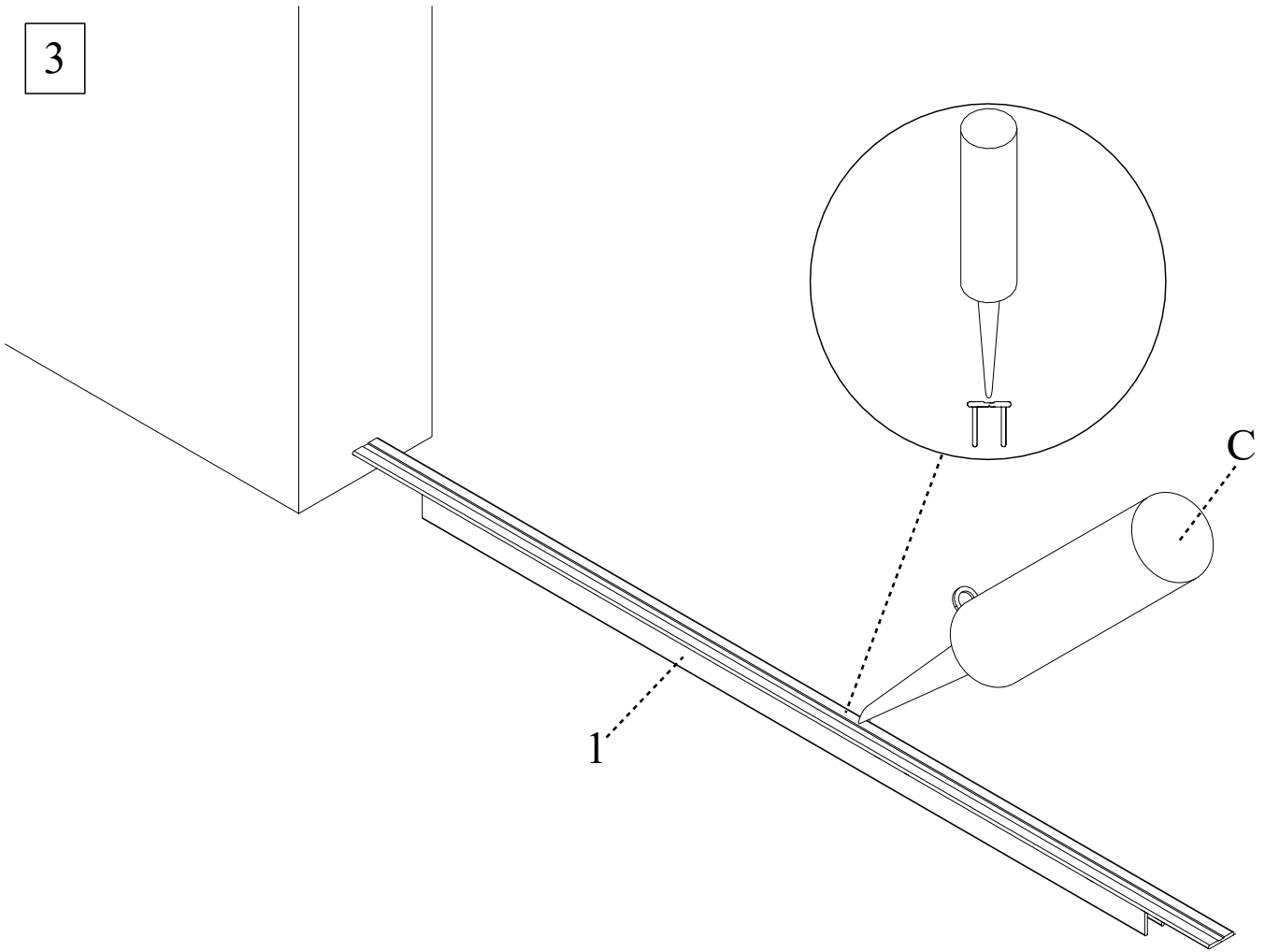
1



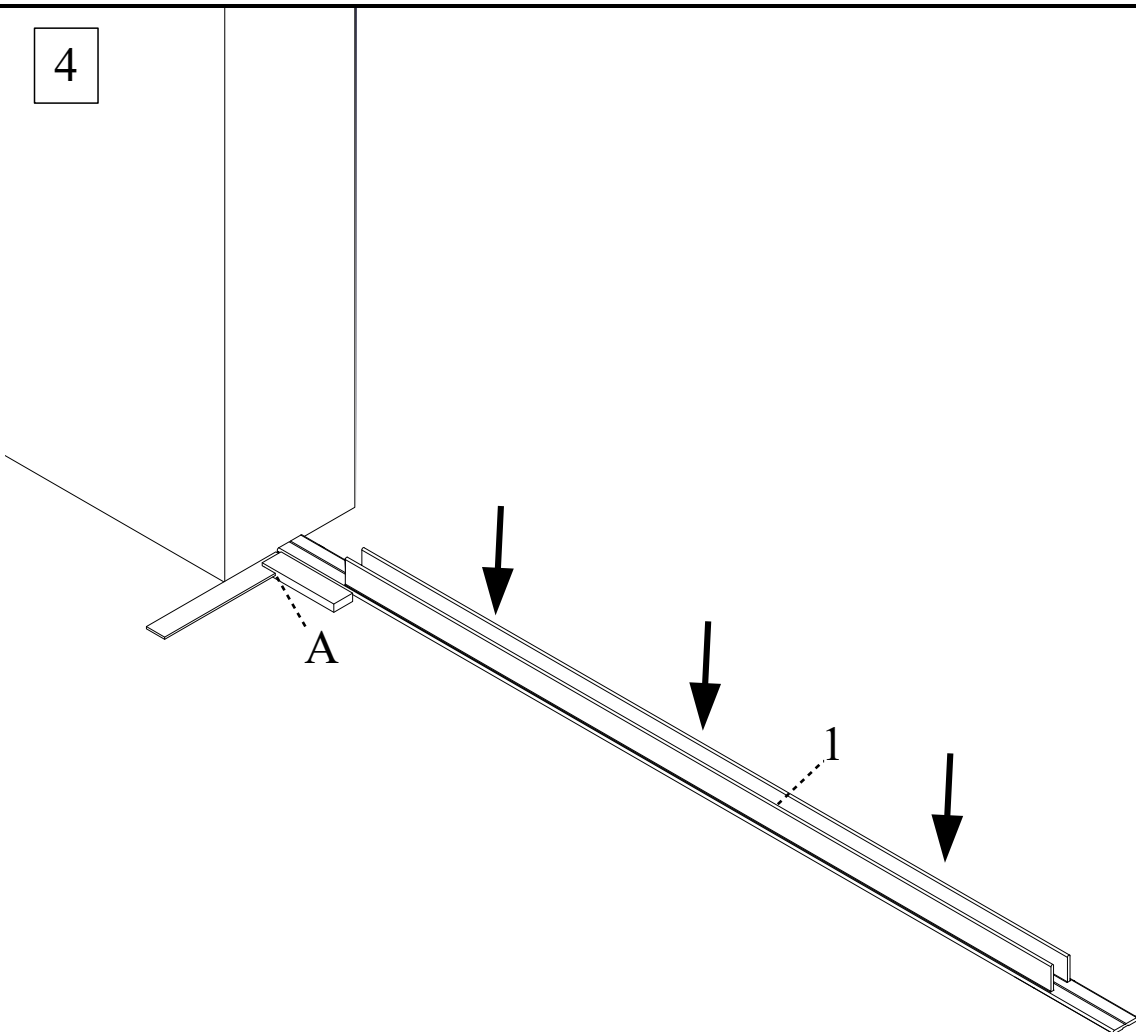
2

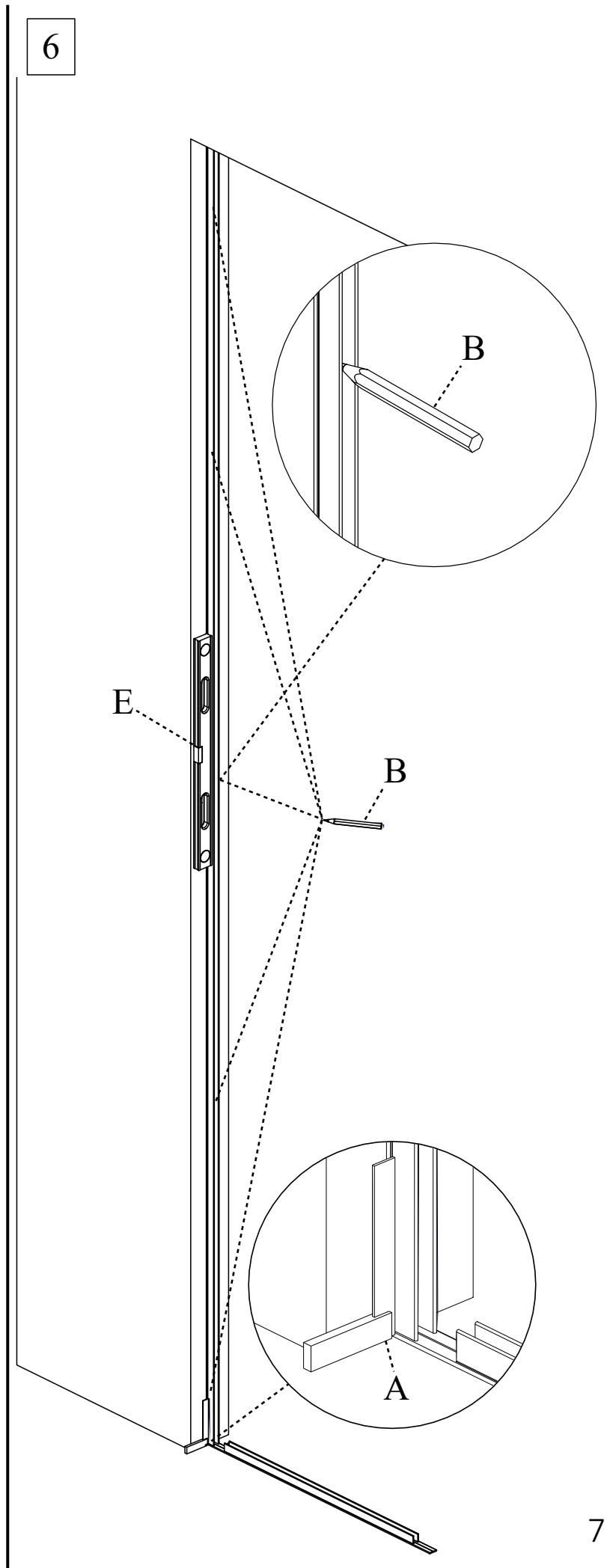
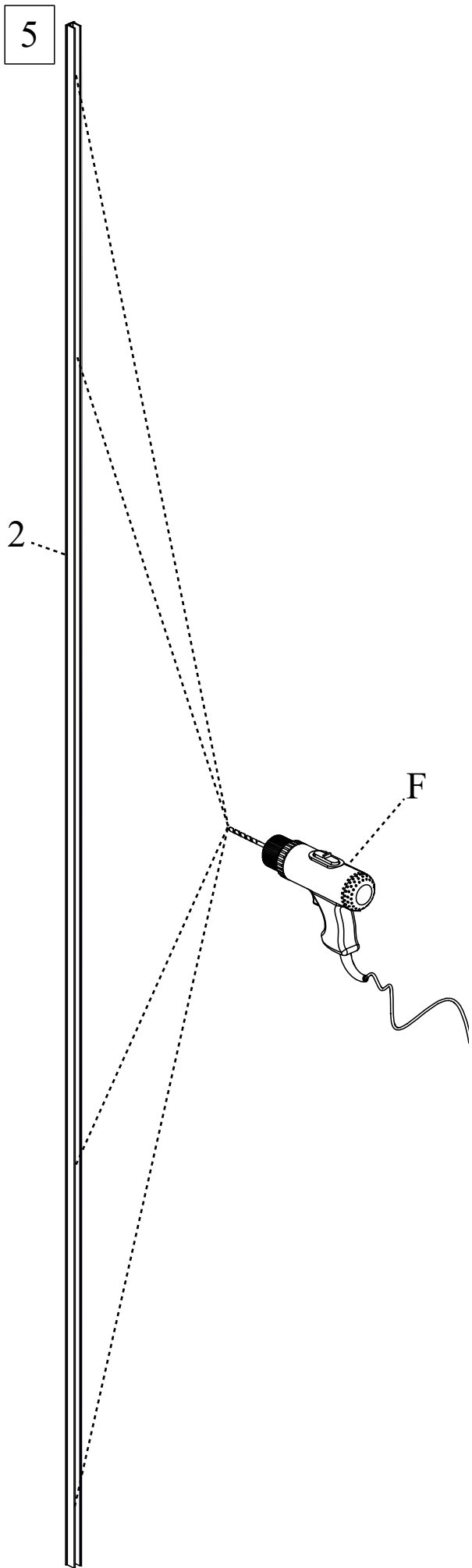


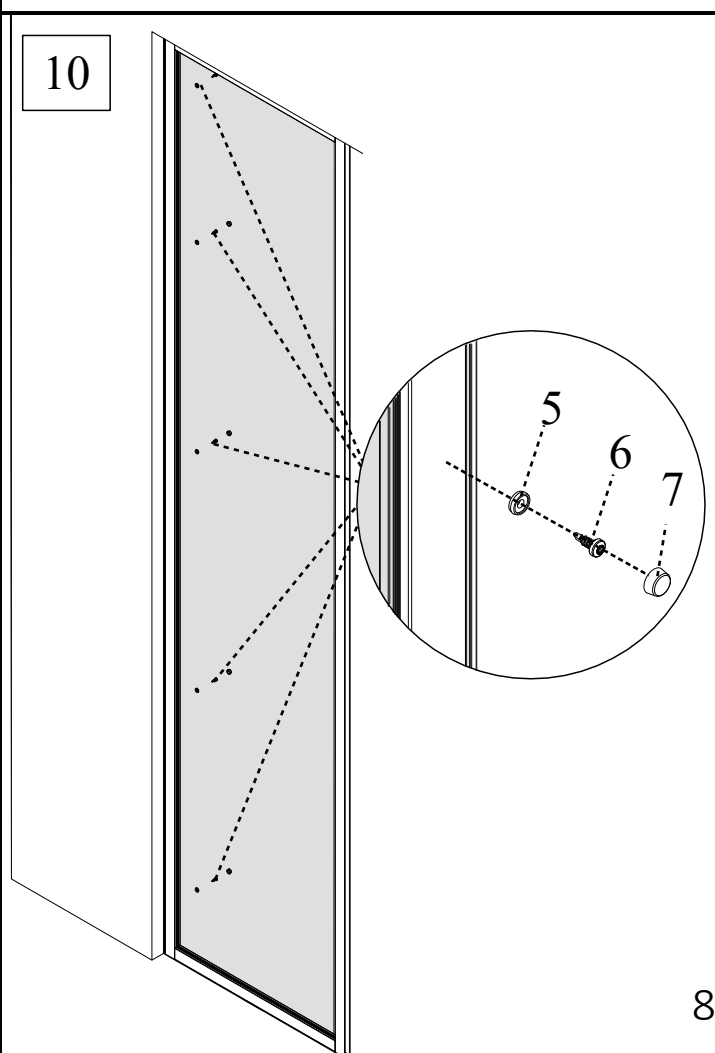
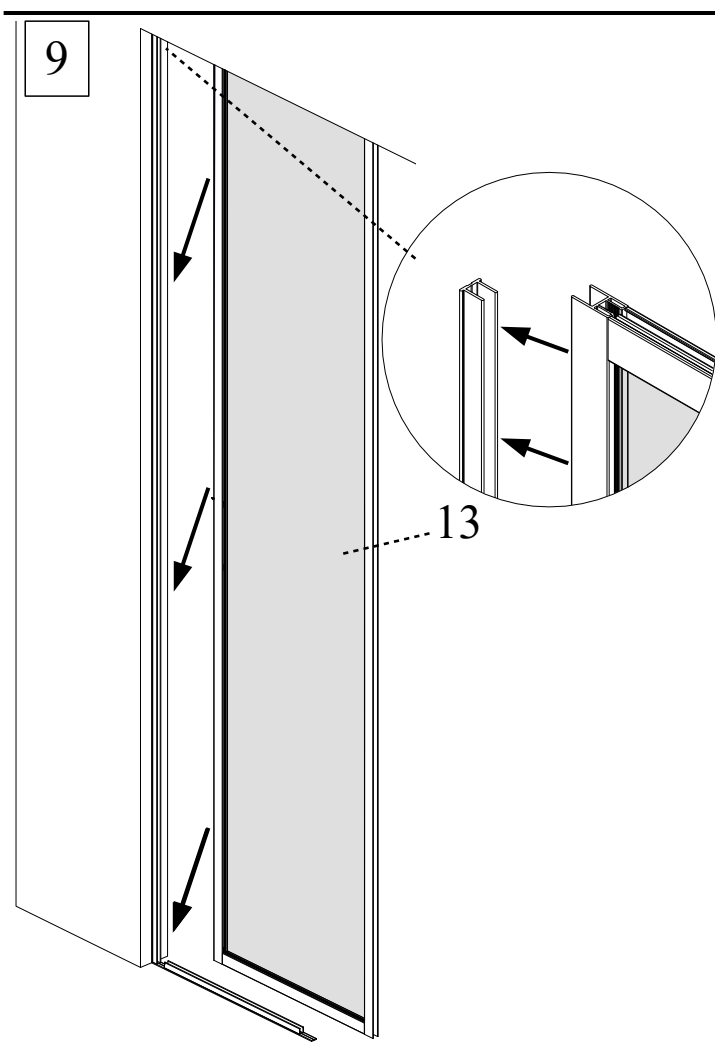
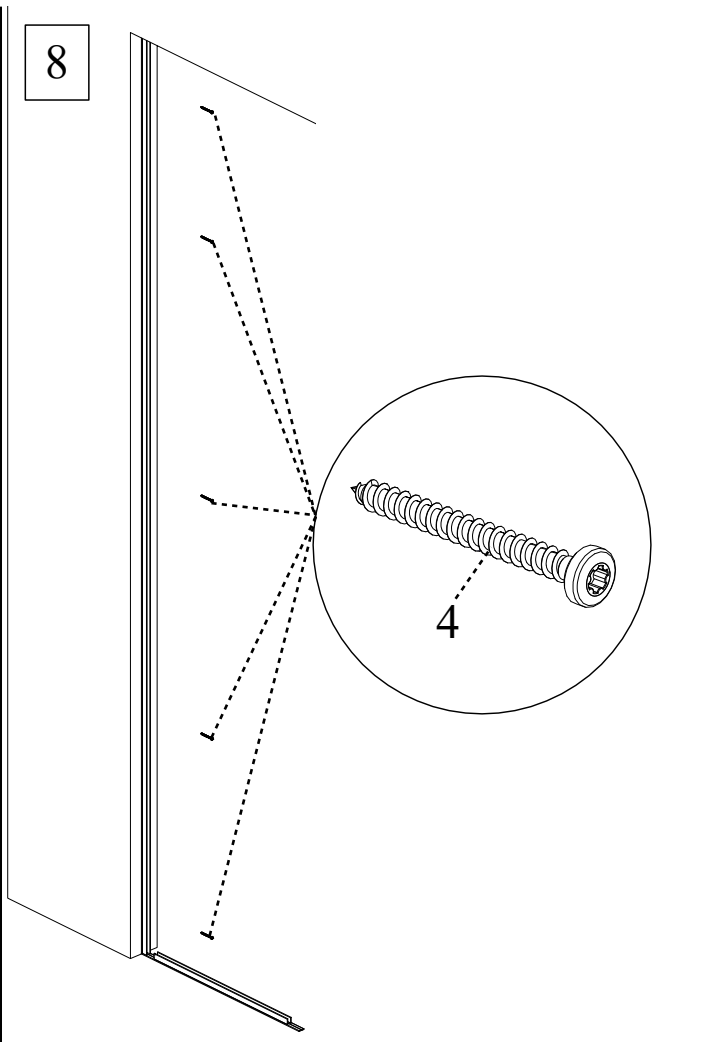
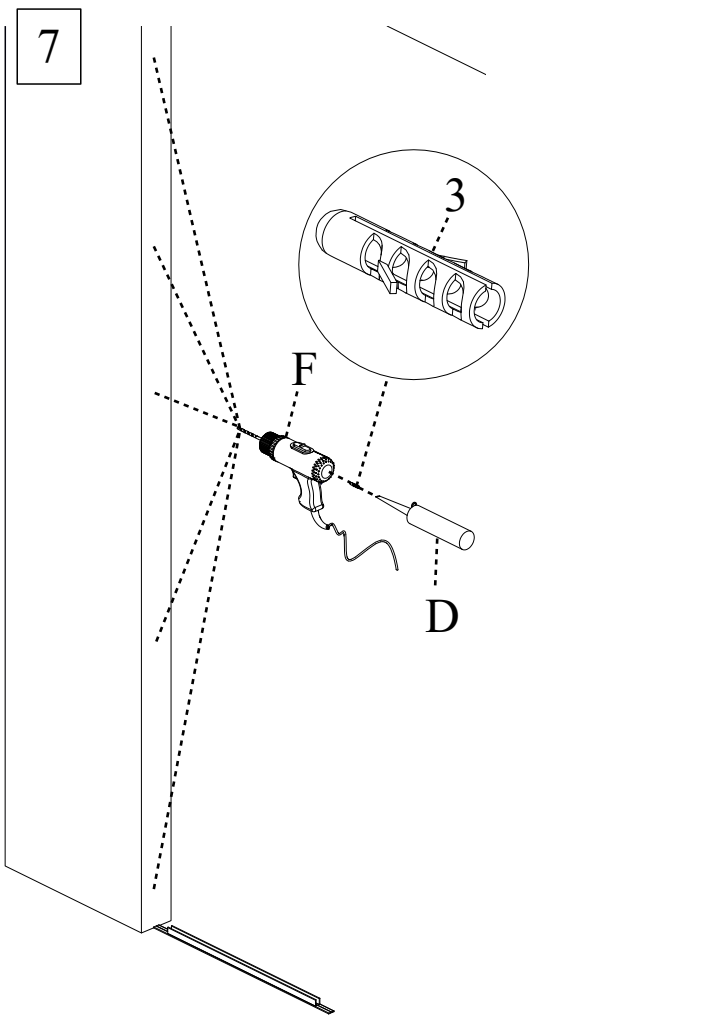
3

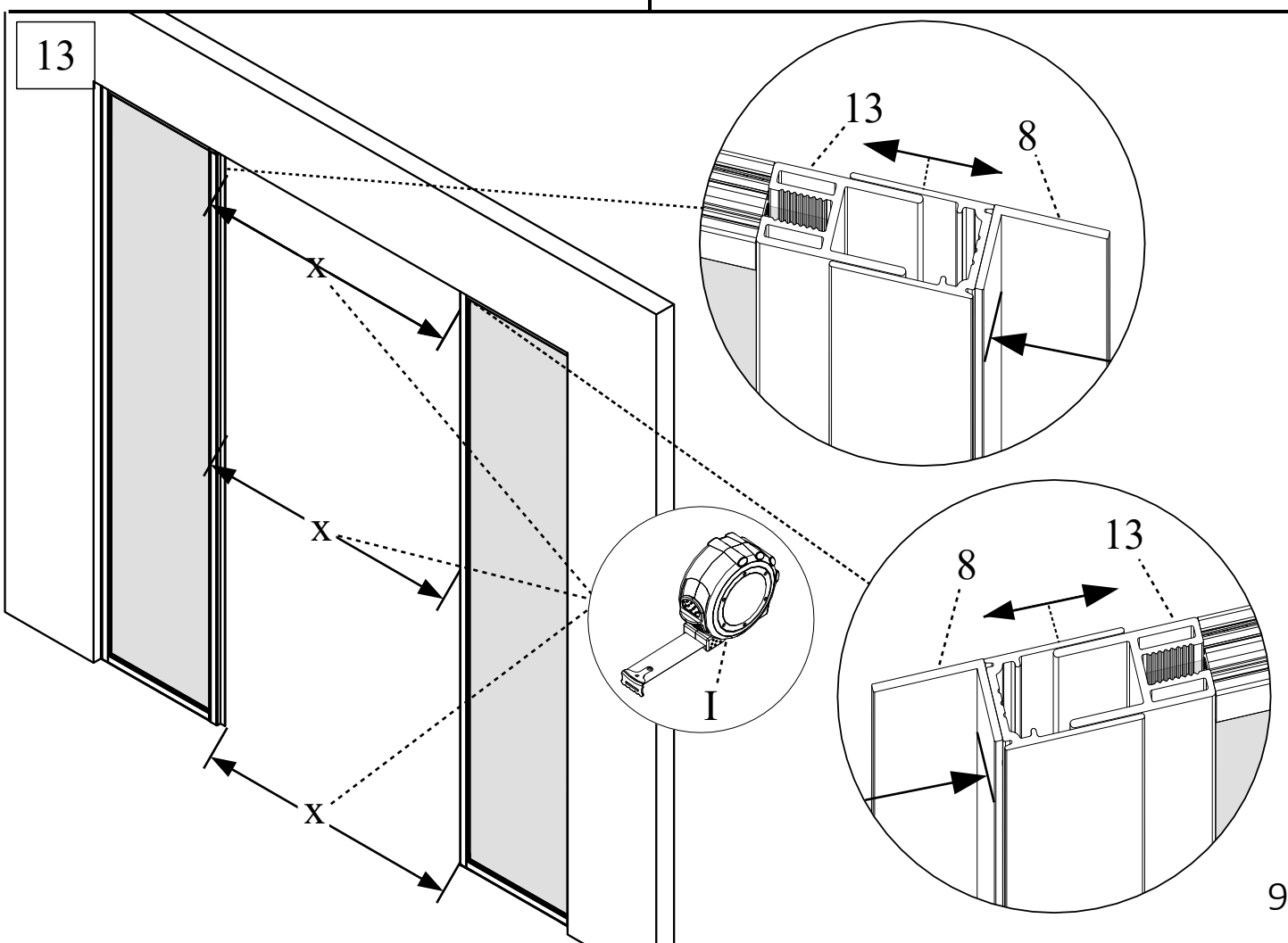
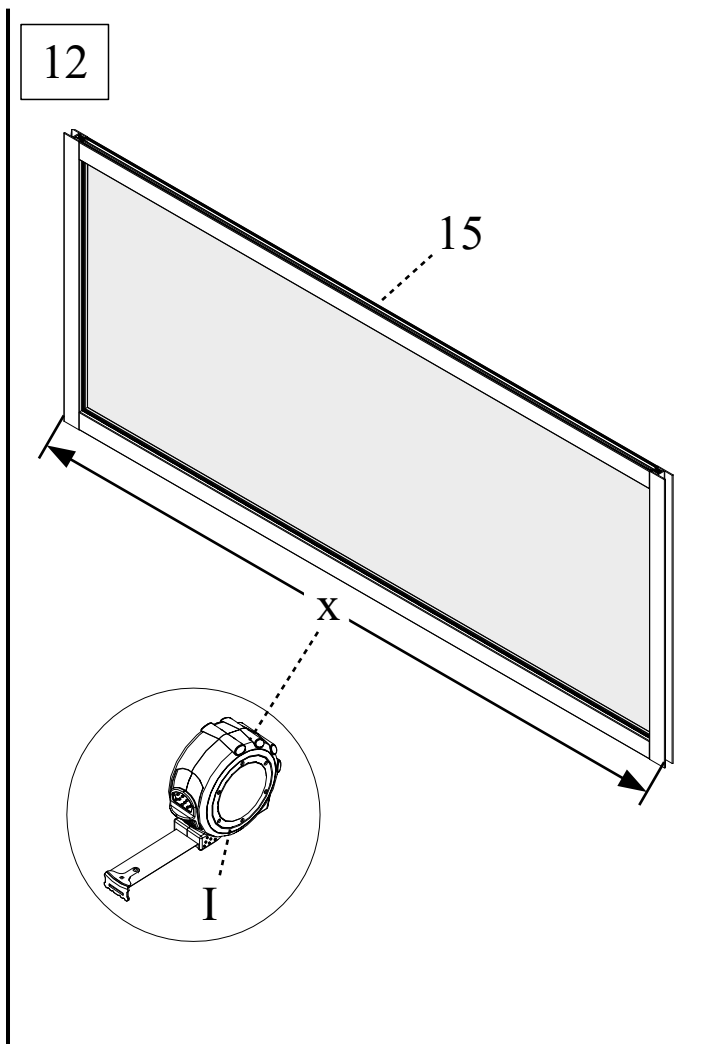
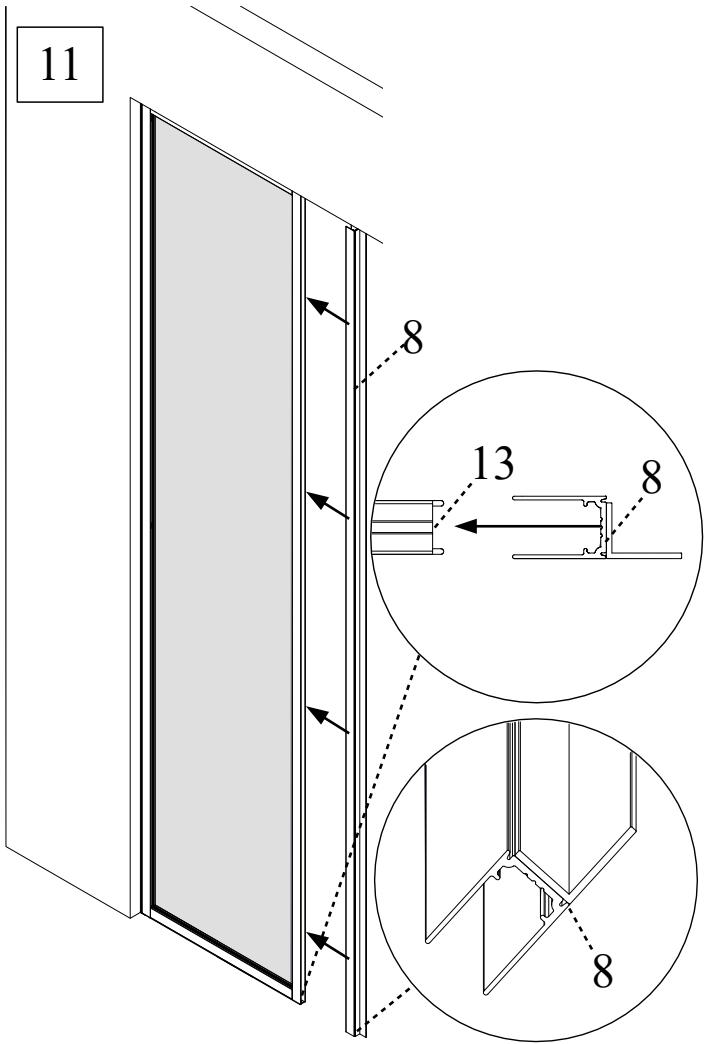


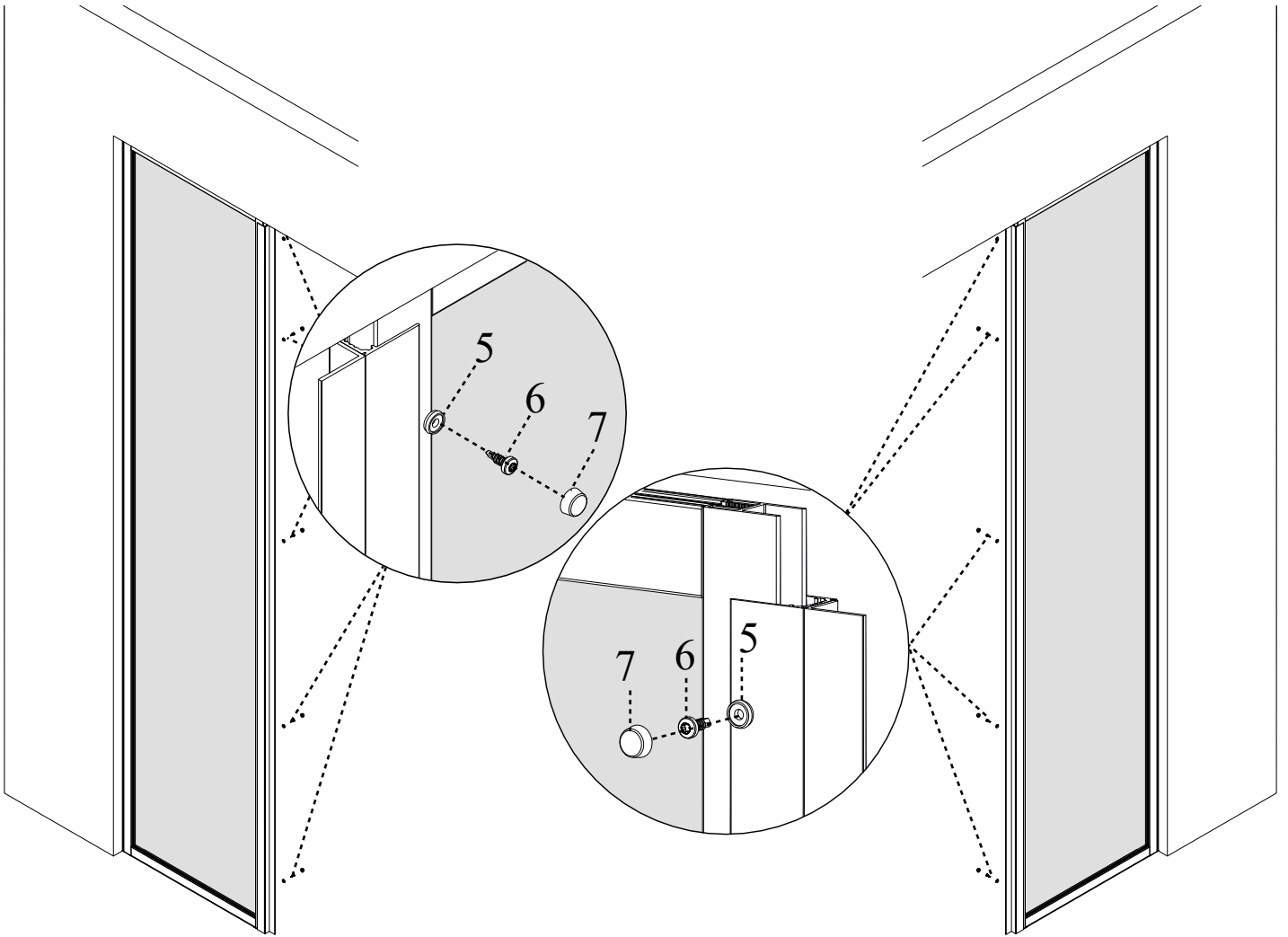
4



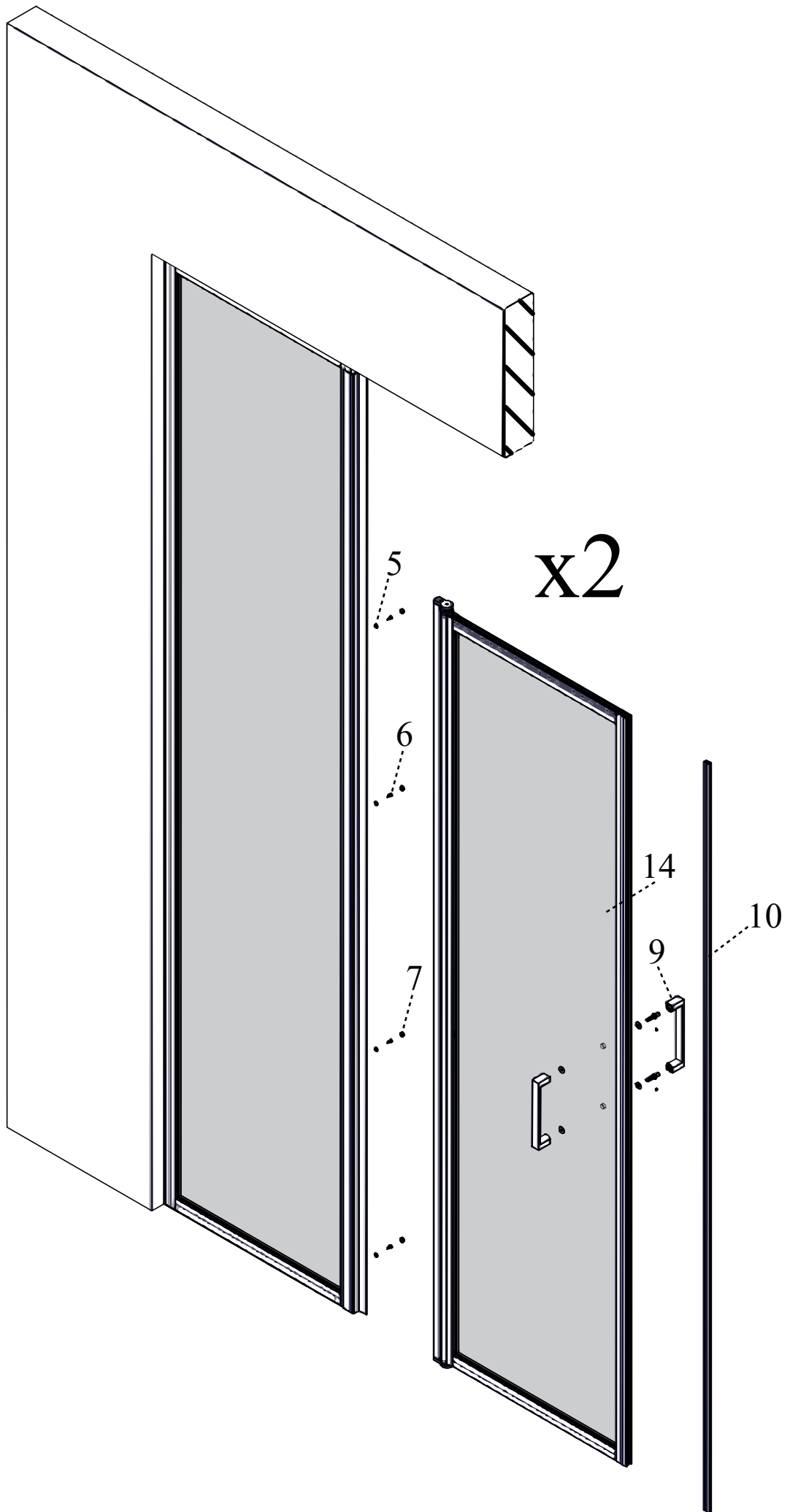


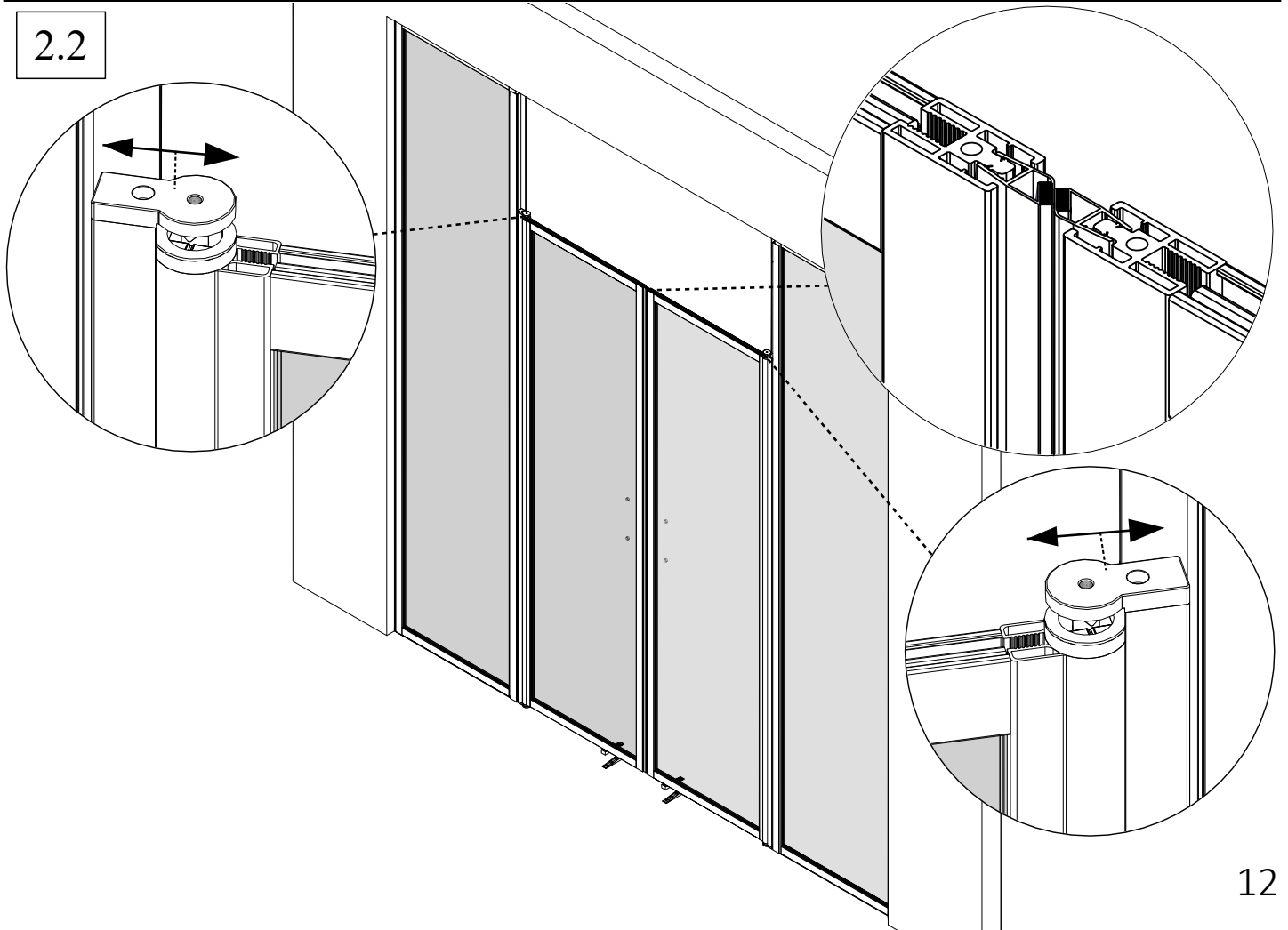
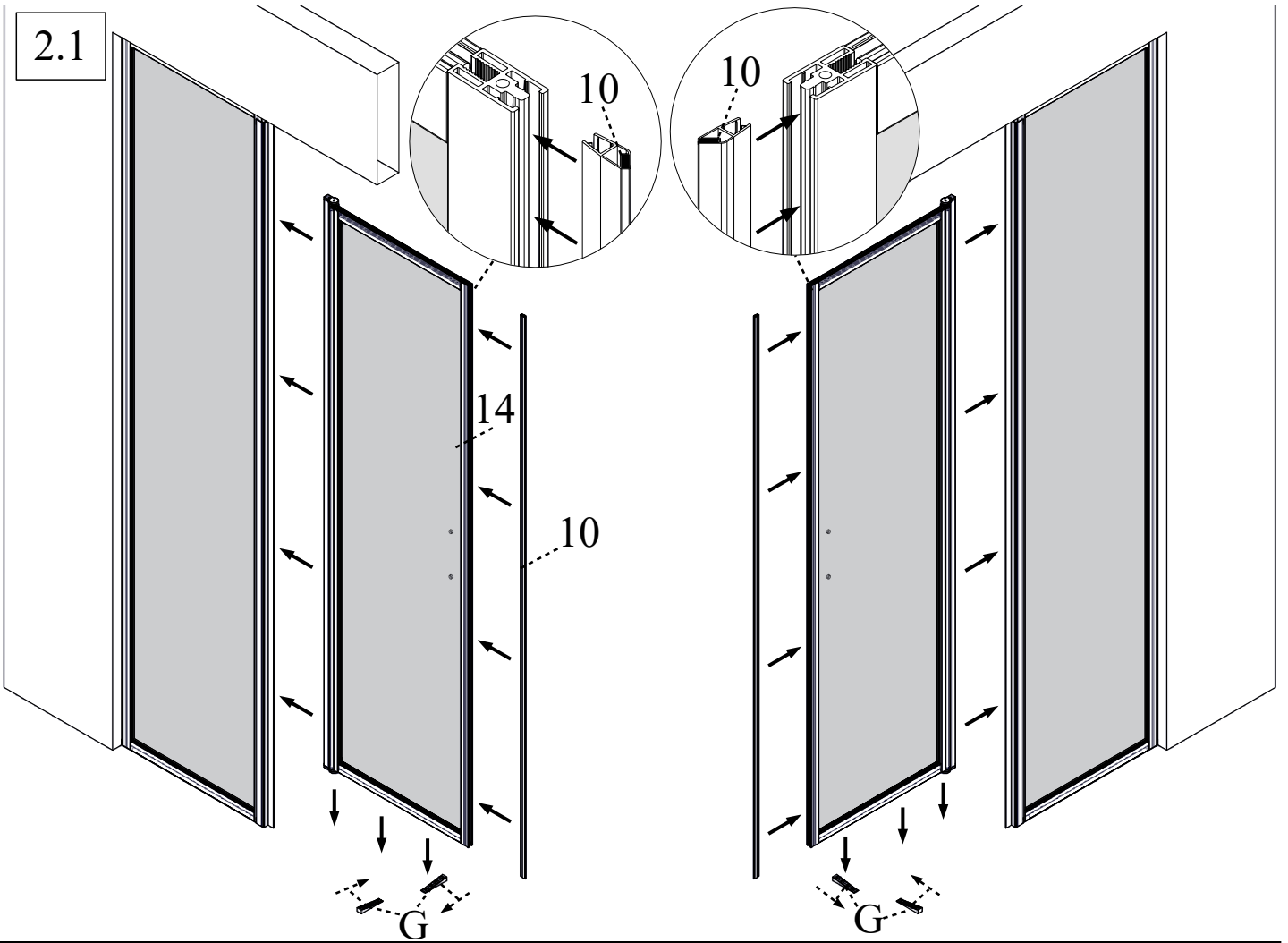


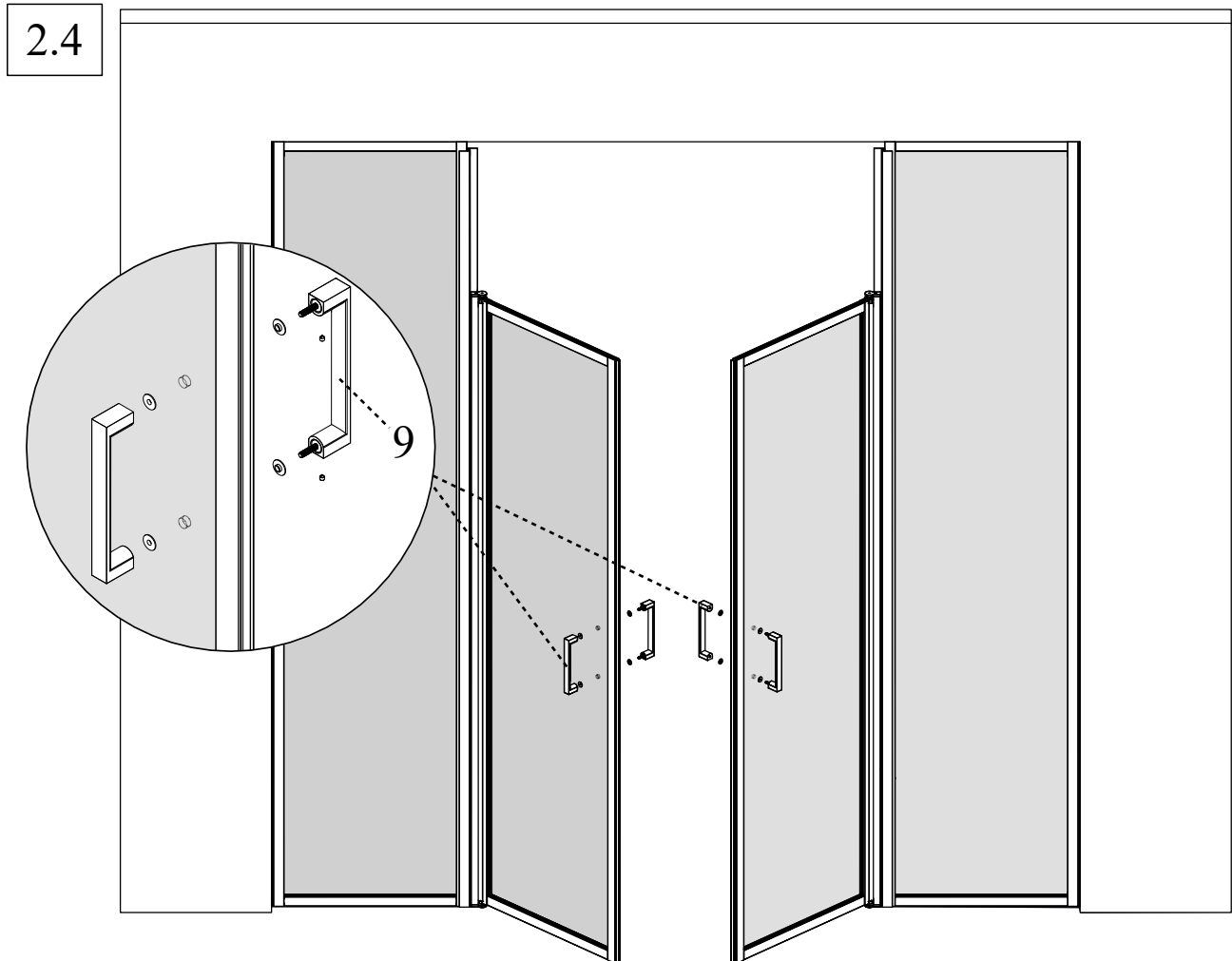
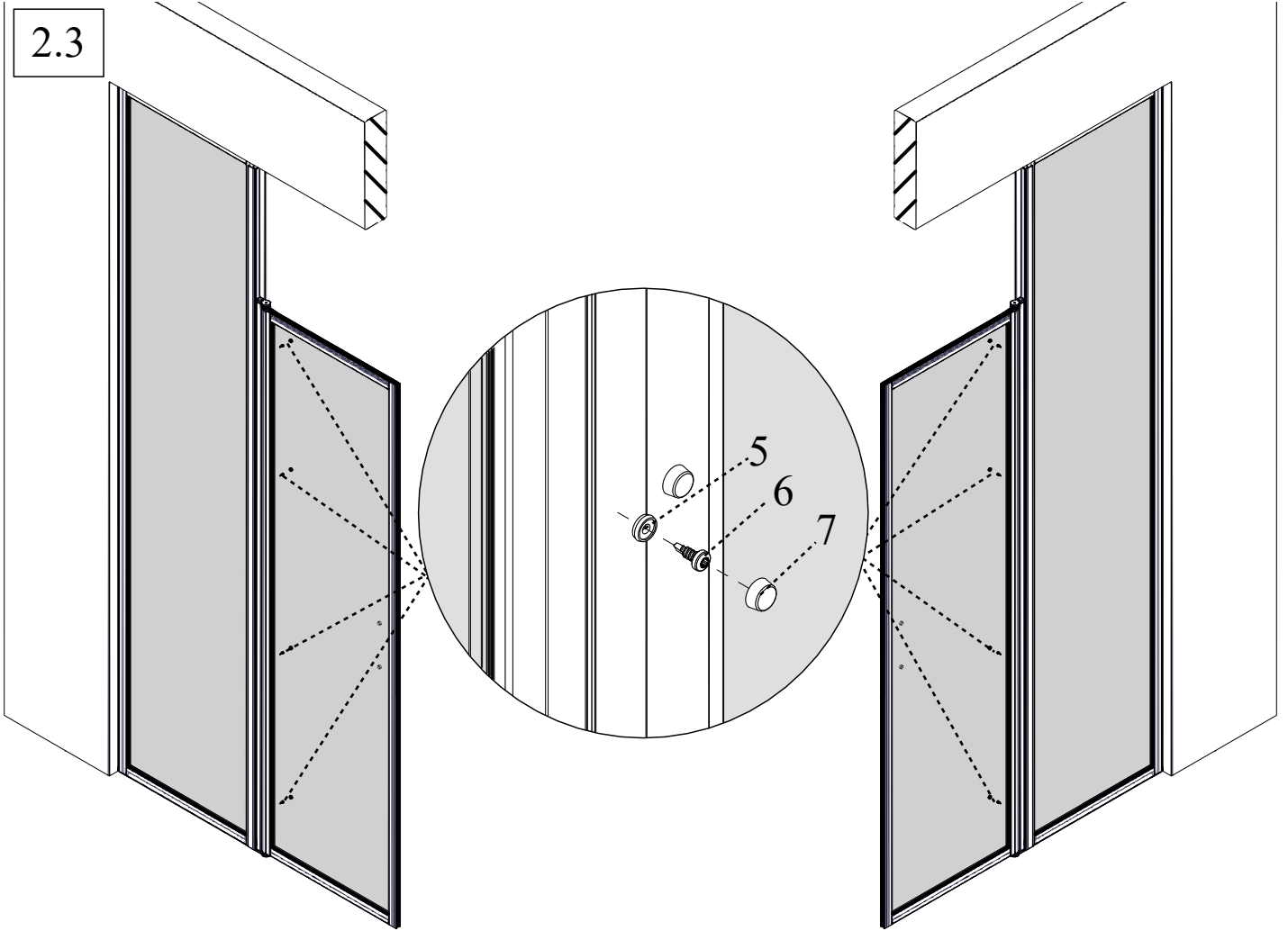




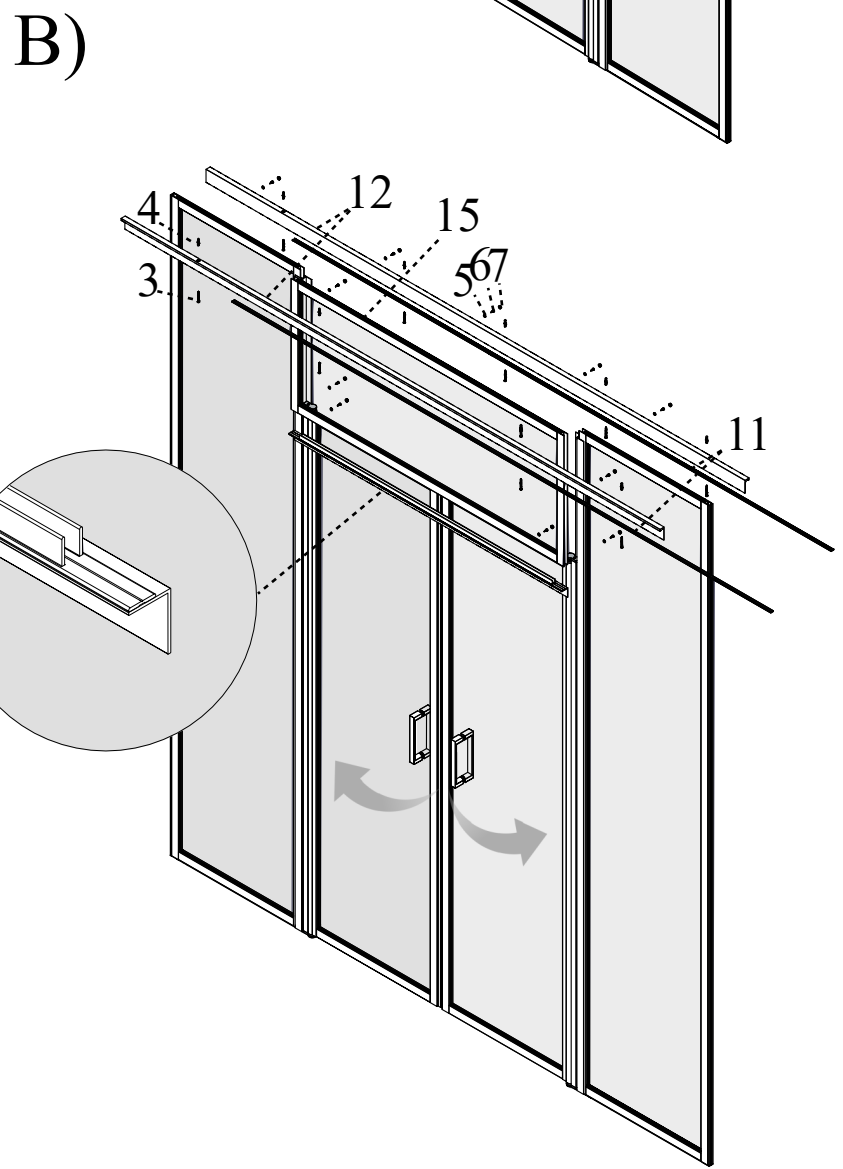
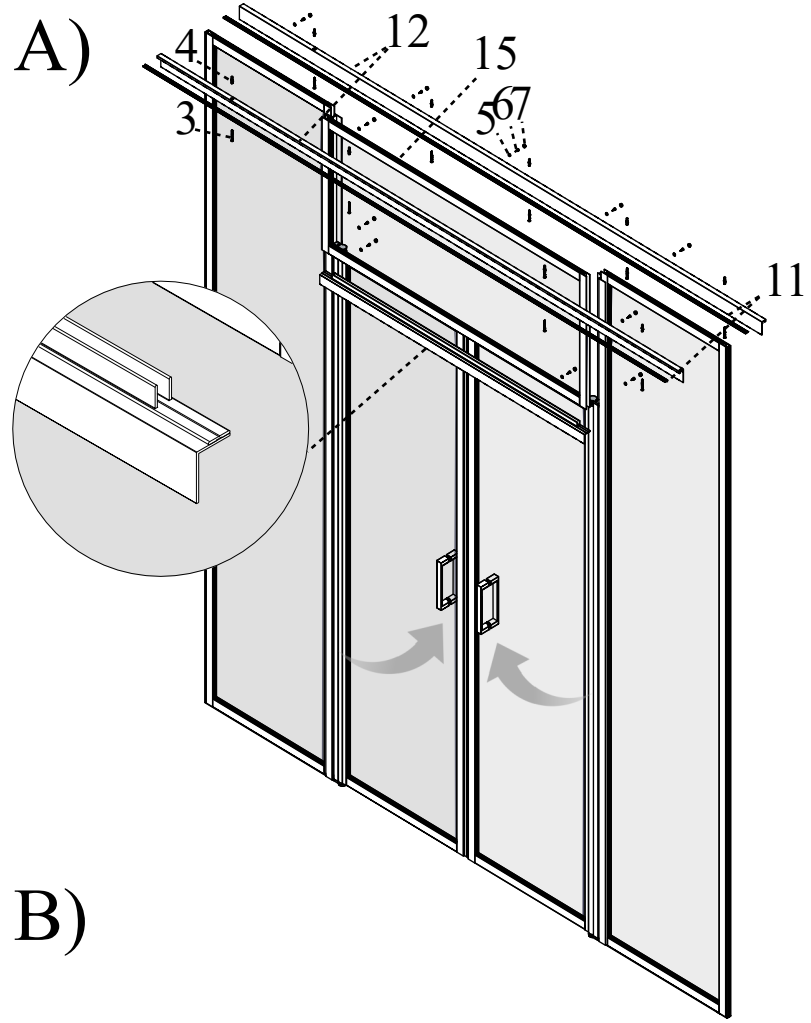
2/3





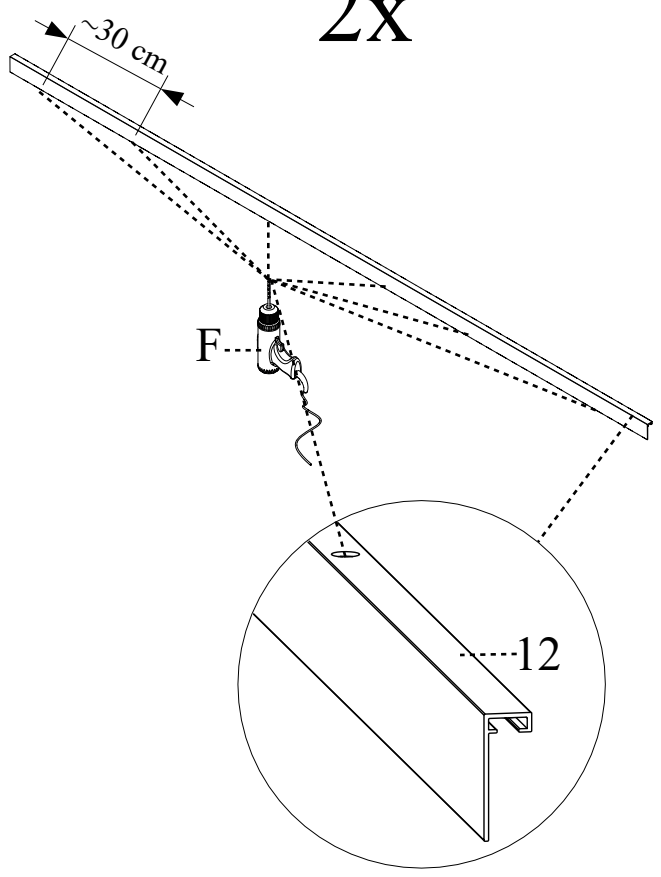


3/3

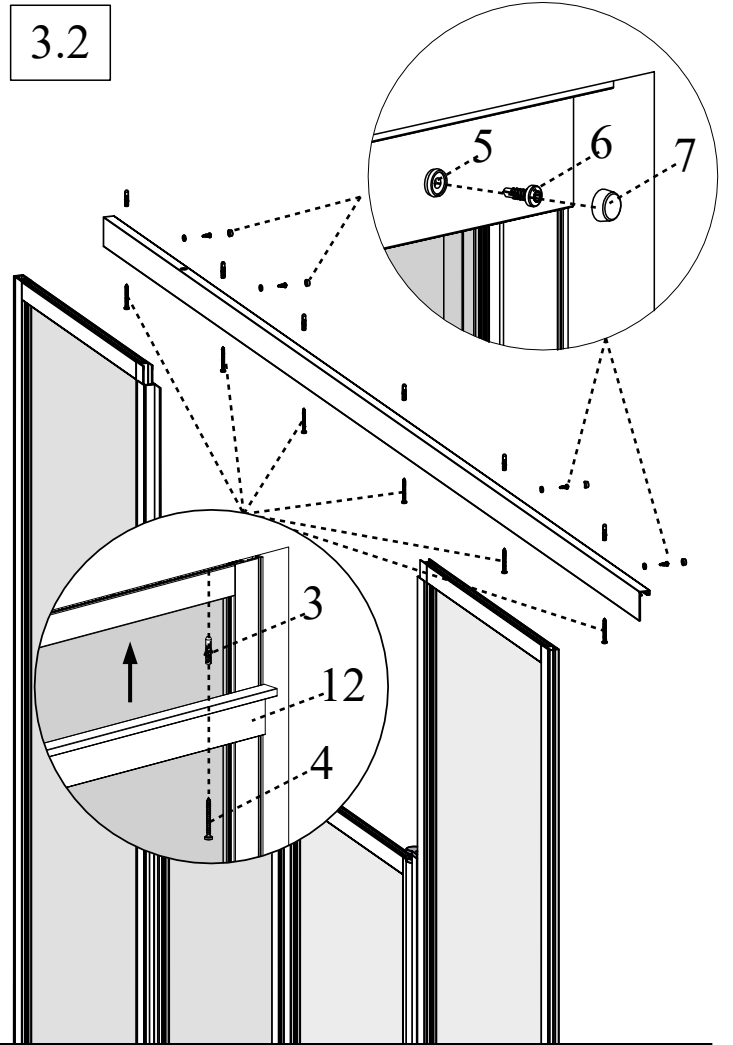


3.1

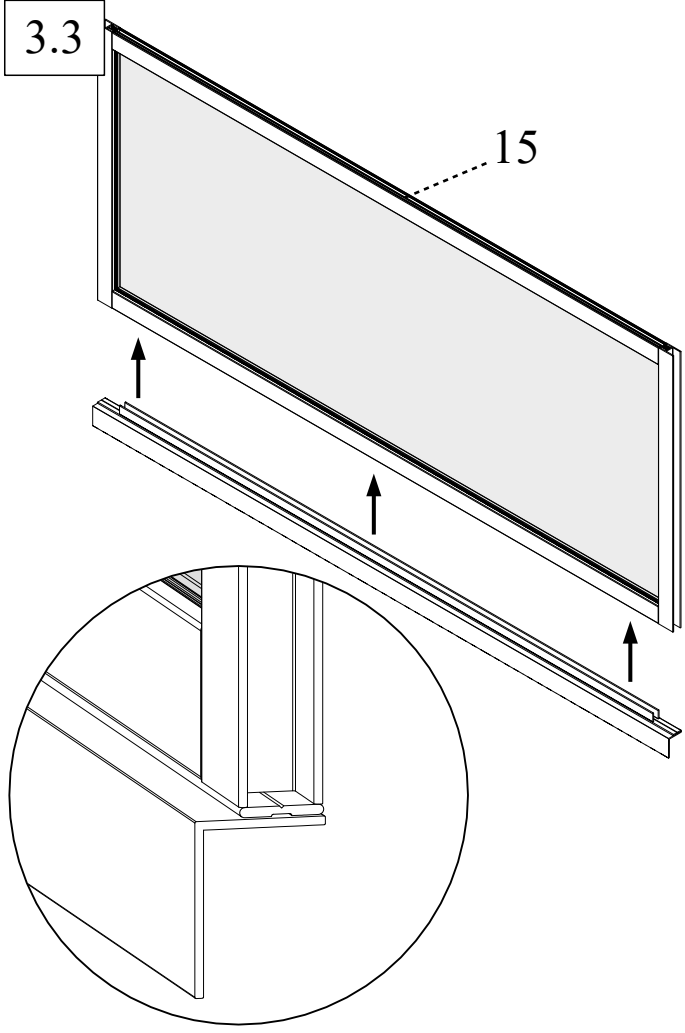
2x



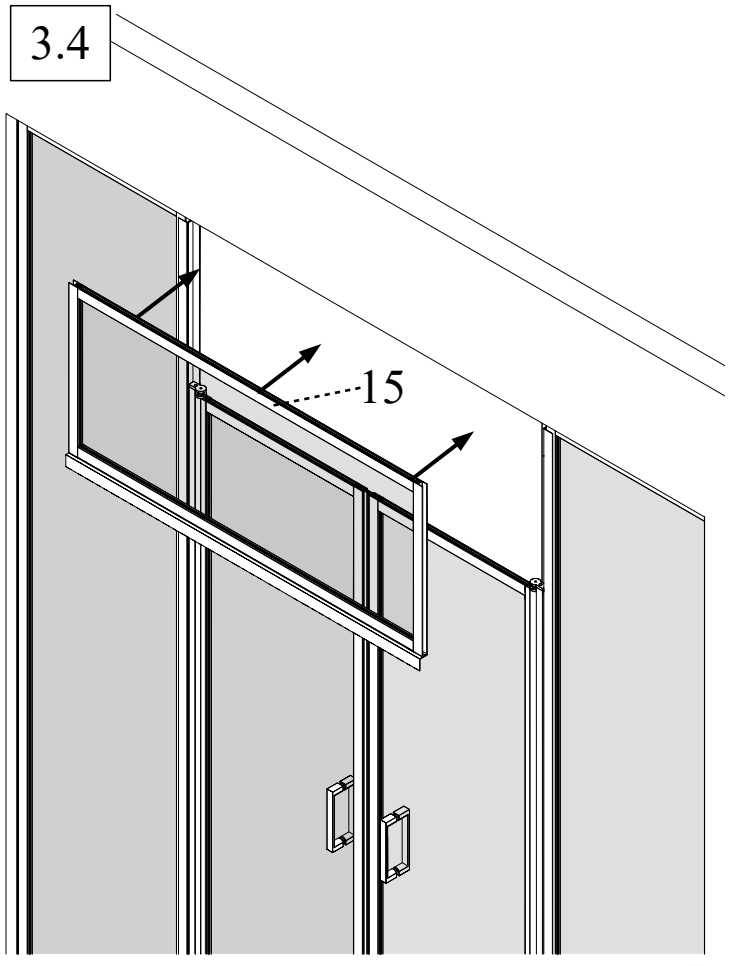
3.2



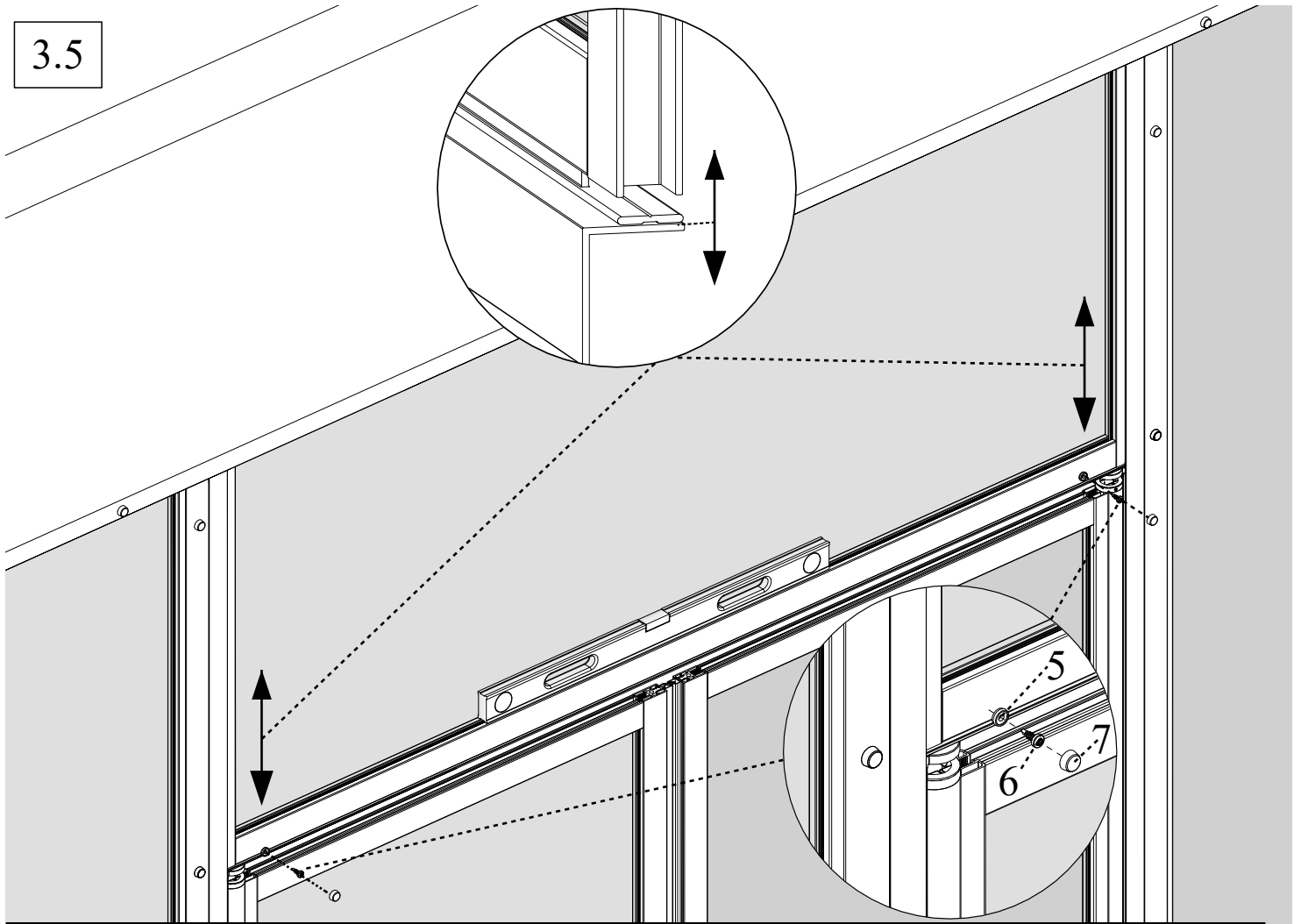
3.3



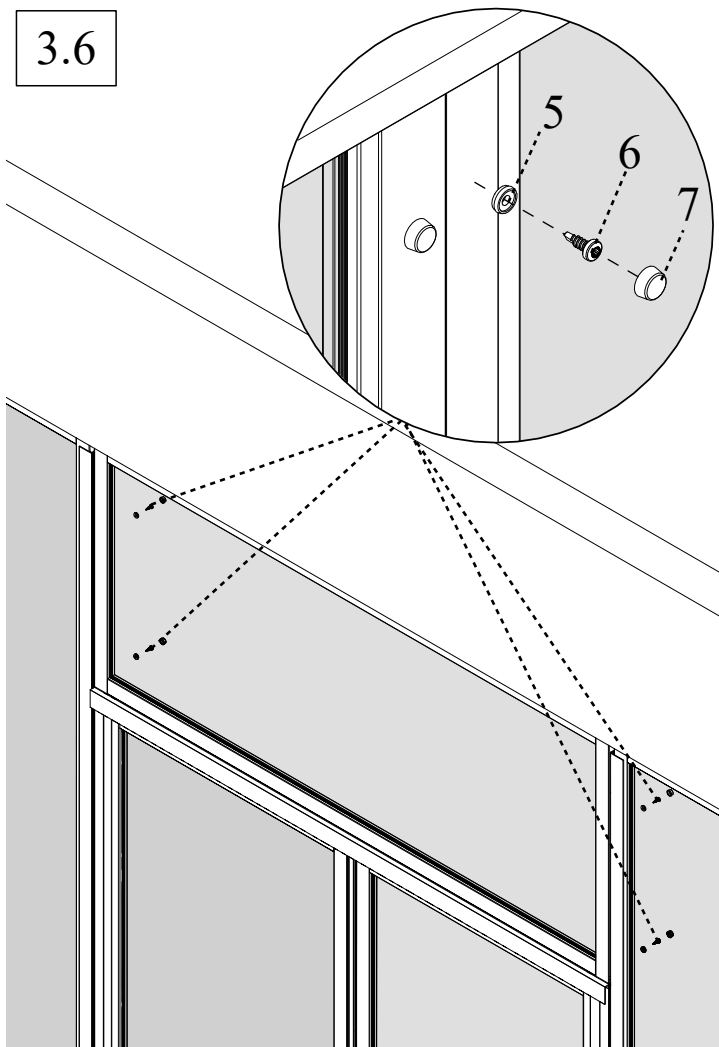
3.4



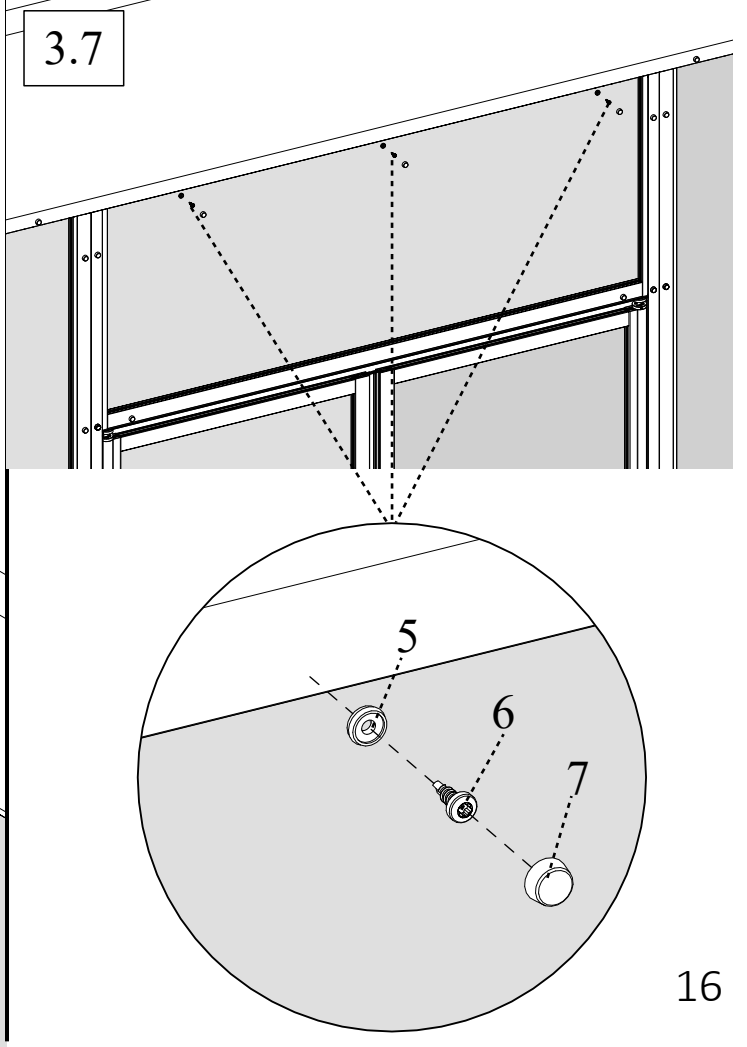
3.5



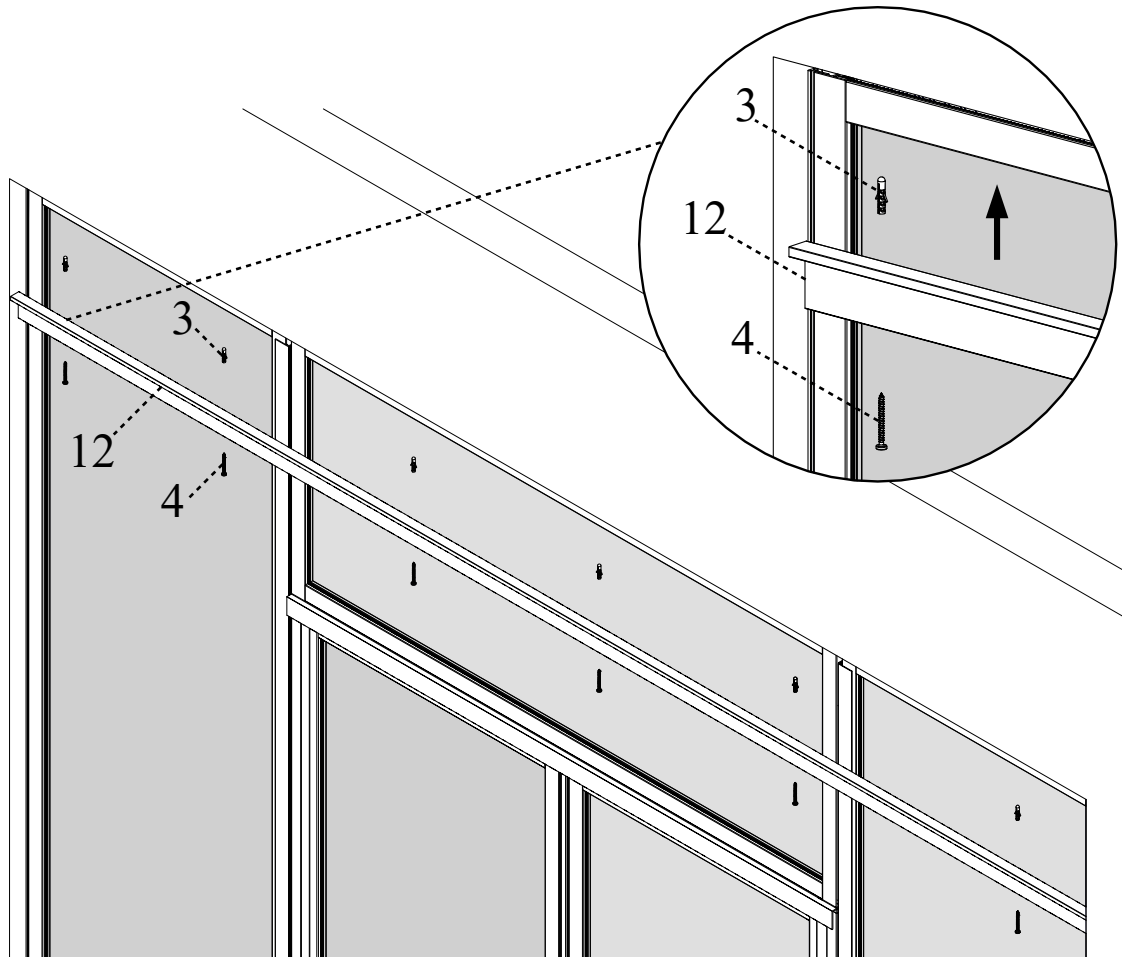
3.6



3.7



3.8



3.9

