

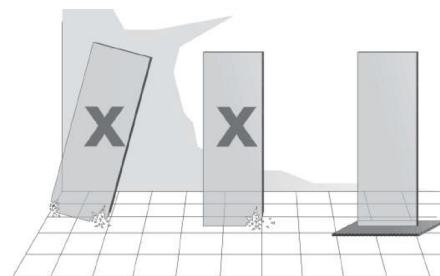
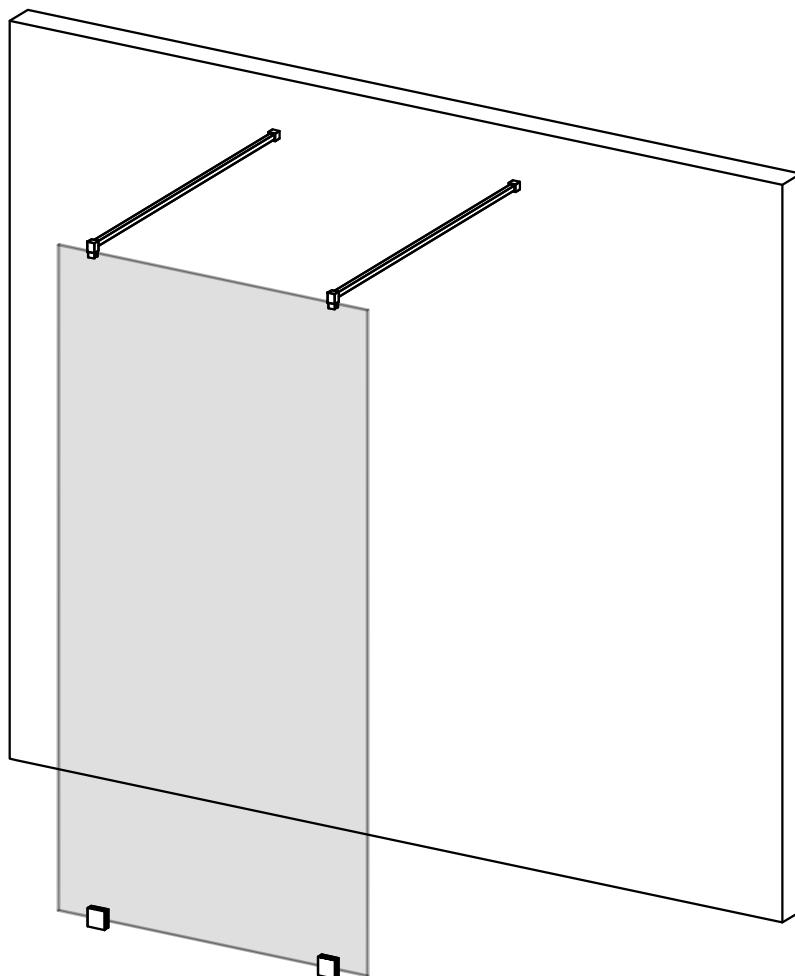


HIETAKARI®

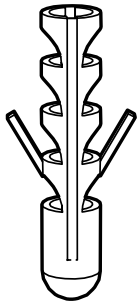


8/25 8DRL3

# VETRO 556

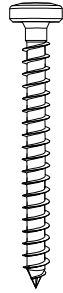


# Parts



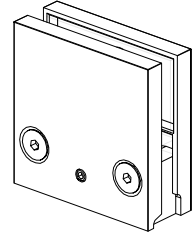
4/83 13RLM

1. 6x30 mm  
x2



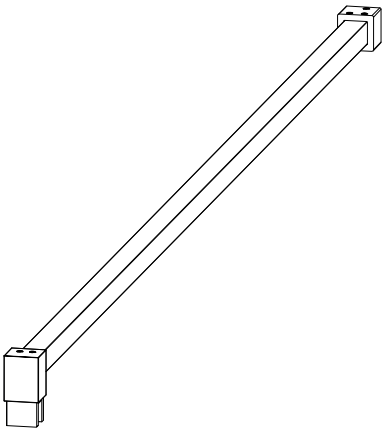
4/83 11RLM

2. 4.5x44 mm  
x2



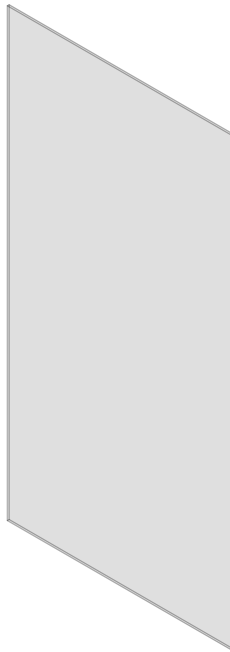
8/65 242LM

3. x2



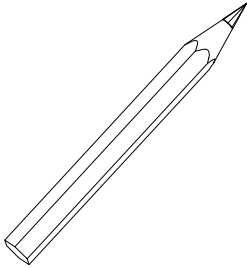
8/65 33RLM

4. x2

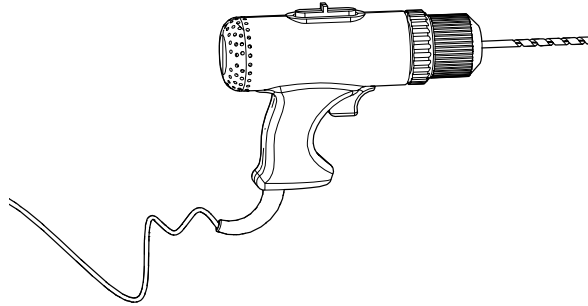


5. x1

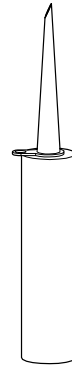
# Tools



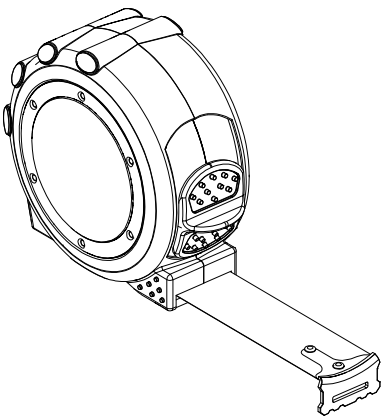
A



Ø6 mm  
B



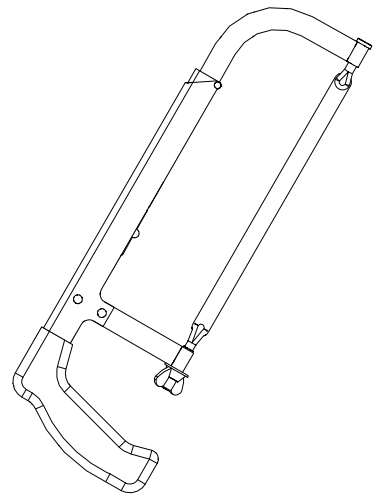
C – Silicone  
D – Glue



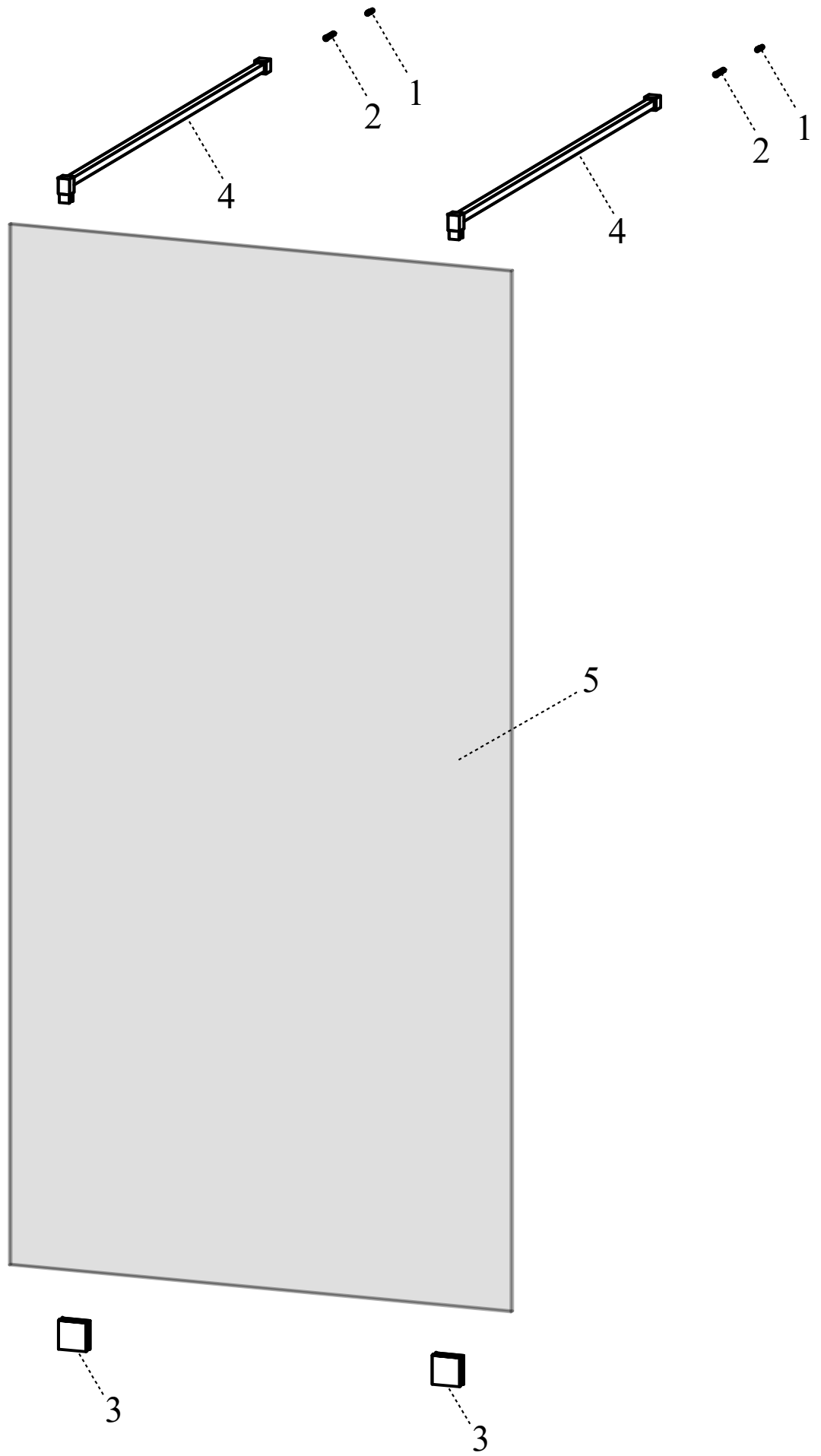
E



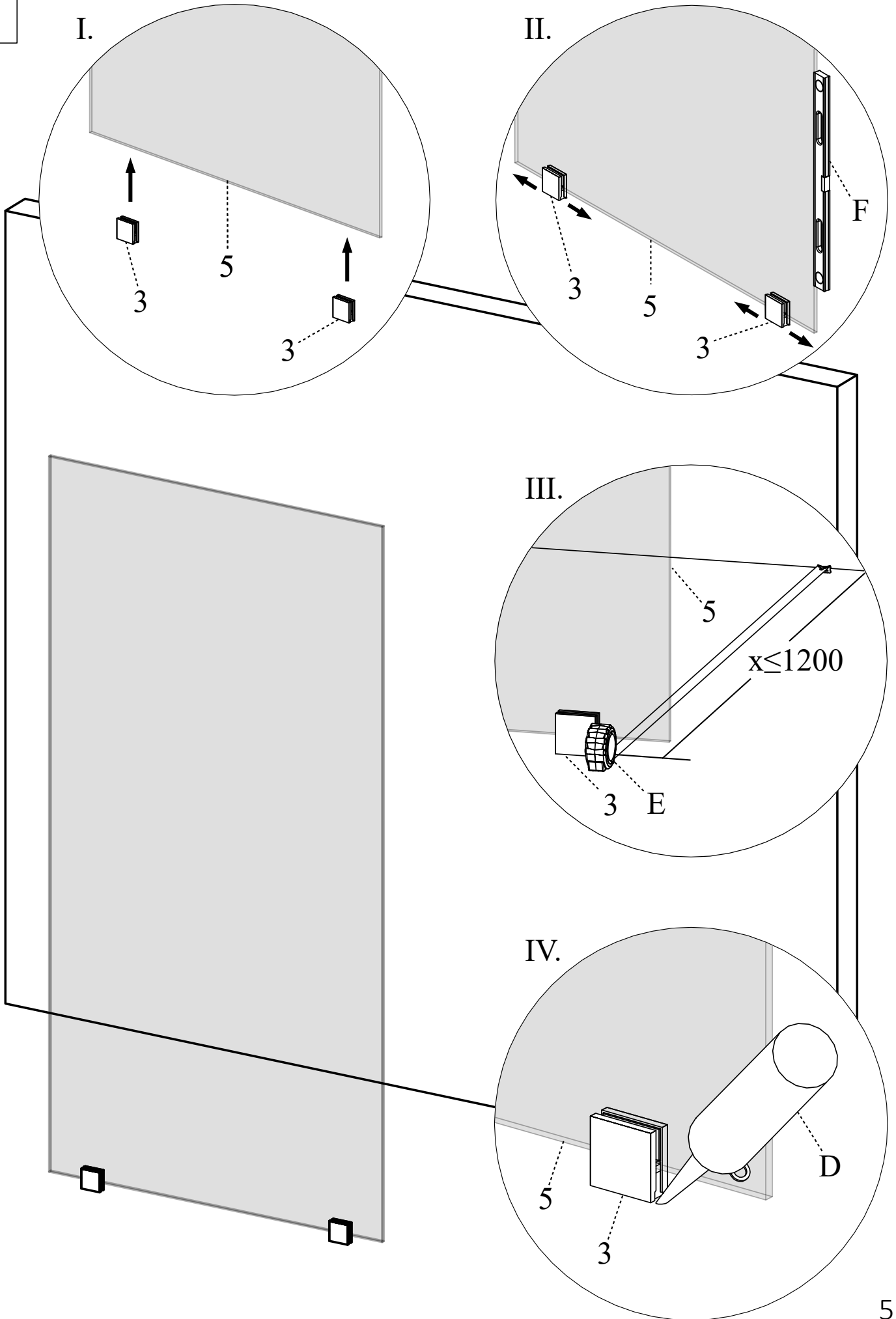
F



G

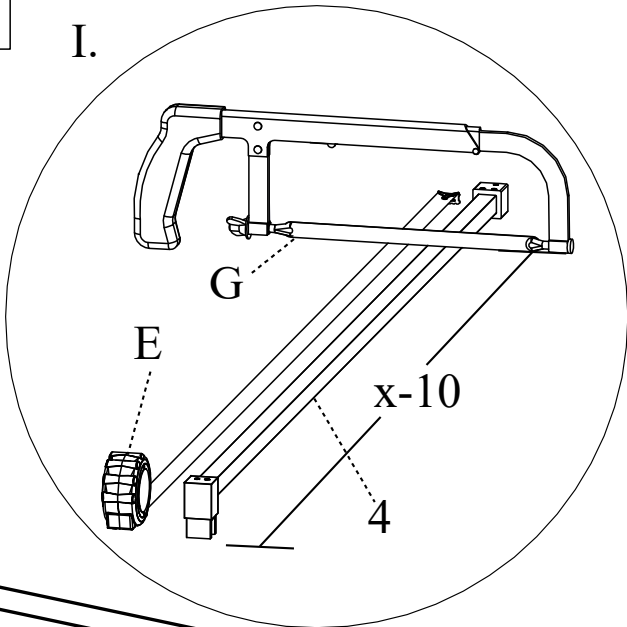


1

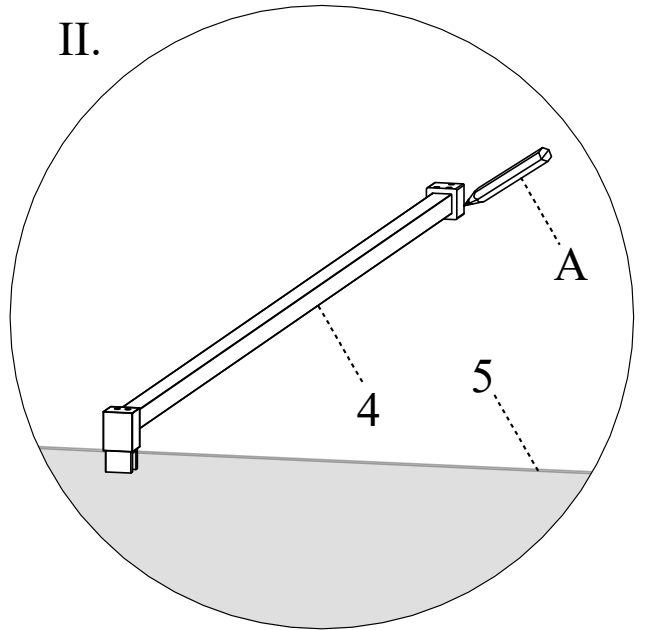


2

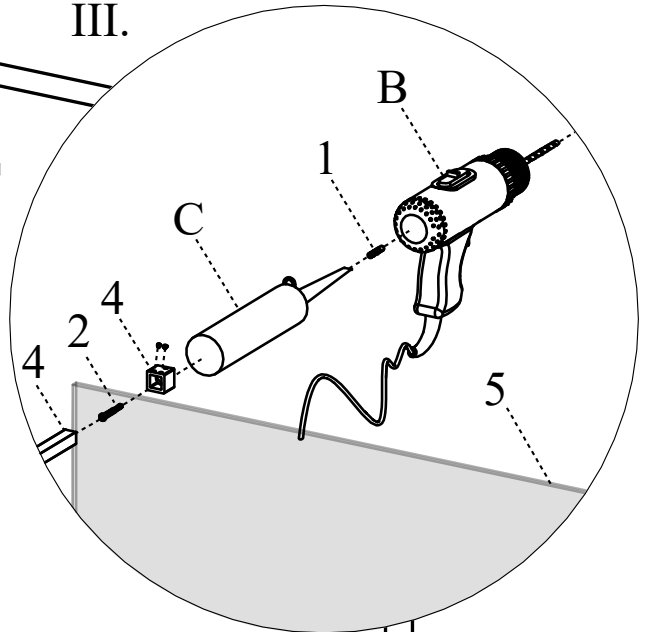
I.



II.



III.



IV.

